

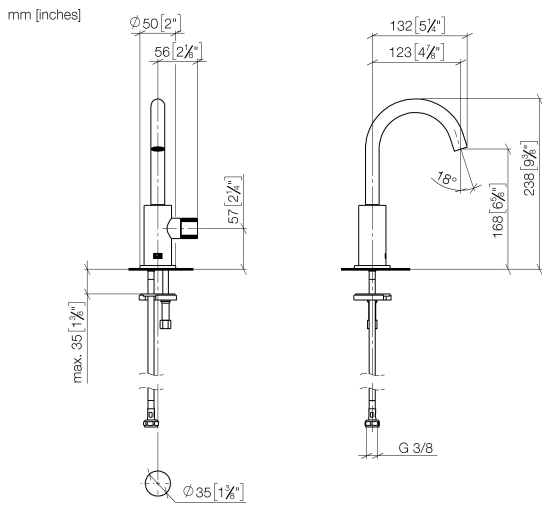
17 500 661 Product version from 7/1/2023



- 123mm projection
- pivotable spout 360°
- circular, air-enriched flow
- height of mixer 238 mm
- height up to aerator 168 mm
- hole diameter 35 mm
- rosette Ø 50 mm
- max. flow 5.7 l/min
- lead-free
- This product can help a building meet the requirements of Green Building Rating Systems, e.g. LEED®, BREEAM®, DGNB
- WRAS

	Brushed Platinum	17 500 661-06
	Chrome	17 500 661-00
	Dark Chrome	17 500 661-19
	Light Gold (PVD)	17 500 661-26
	Brushed Light Gold (PVD)	17 500 661-27
	Matte Black	17 500 661-33
	Brushed Gold (PVD)	17 500 661-37
	Brushed Dark Brass (PVD)	17 500 661-39
	Brushed Bronze (PVD)	17 500 661-42
	Brushed Dark Bronze (PVD)	17 500 661-43
	Brushed Chrome	17 500 661-93
	Brushed Dark Platinum	17 500 661-99

17 500 661 Product version from 7/1/2023



Flow rate chart



Codes & Standards

DIN 4109

ISO 3822

Scottish Water
Byelaws

UK Water Supply
Regulations

Ü-Zeichen



META Pillar tap cold water - Brushed Platinum

META

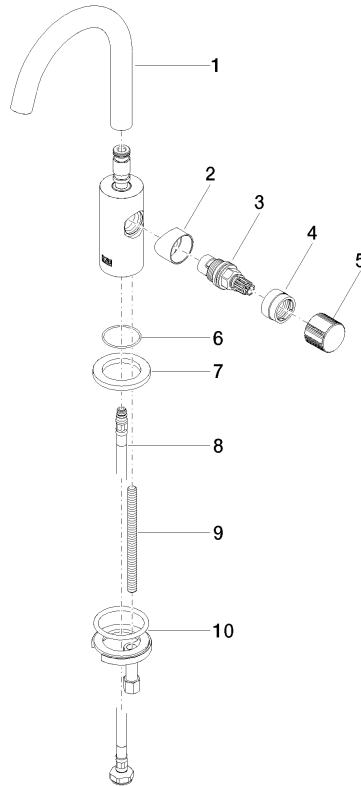
17 500 661 Product version from 7/1/2023

Certificates and sustainability

LGA_18	WRAS_250502	EPD-DOR-20230287 -IBA1-EN Environmental.prod uct-declarat
--------	-------------	--

17 500 661 Product version from 7/1/2023

Parts for other finishes can be found here: [Chrome](#)



Spare parts list

No.	Item Number	Name	Quantity used	Delivery time
3	90 90 03 131 01 90	Head part clockwise closing with nut & spanner 1/2" -	1.00	14
2	09 18 20 221-06	Sleeve - Brushed Platinum	1.00	-
Spare part can no longer be ordered, please order the replacement item				
8	04 30 04 100 00 90	High pressure hose M8x1 x 3/8" x 420 mm -	1.00	14
4	09 24 04 533-06	Mounting - Brushed Platinum	1.00	-
Spare part can no longer be ordered, please order the replacement item				
10	04 30 11 038 00 90	Mounting with O-ring Ø40 x 4mm Ø 52 x 1,5 mm -	1.00	14
1	90 28 22 312 00-06	Spout 123 mm, 5,68 l/min. - Brushed Platinum	1.00	20
6	09 14 10 202 90	O-Ring EPDM 70 31,0 x 1,5 mm -	1.00	14
7	09 27 66 006-06	Rosette Ø 50 x Ø 33mm x 5 mm - Brushed Platinum	1.00	20
5	09 20 66 013-06	Handle Ø 28,5 x 22,5 mm - Brushed Platinum	1.00	20
9	09 31 11 012 90	Mounting Threaded bolt M8 x110 mm -	1.00	14