

17 500 660 Product version from 7/1/2023

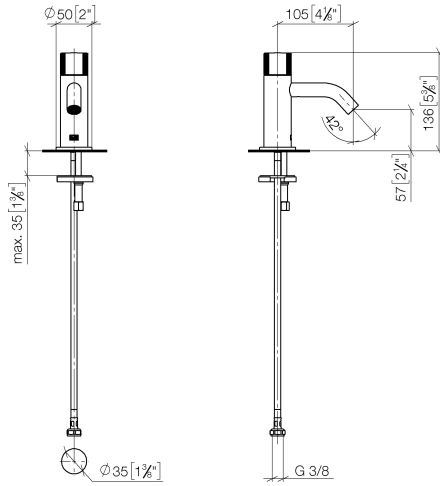


- 105mm projection
- fixed spout
- circular, air-enriched flow
- height of mixer 136 mm
- height up to aerator 57 mm
- hole diameter 35 mm
- 1/2" connection
- rosette Ø 50 mm
- max. flow 5.7 l/min
- lead-free
- This product can help a building meet the requirements of Green Building Rating Systems, e.g. LEED®, BREEAM®, DGNB
- WRAS

	Chrome	17 500 660-00
	Brushed Platinum	17 500 660-06
	Dark Chrome	17 500 660-19
	Light Gold (PVD)	17 500 660-26
	Brushed Light Gold (PVD)	17 500 660-27
	Matte Black	17 500 660-33
	Brushed Gold (PVD)	17 500 660-37
	Brushed Dark Brass (PVD)	17 500 660-39
	Brushed Bronze (PVD)	17 500 660-42
	Brushed Dark Bronze (PVD)	17 500 660-43
	Brushed Chrome	17 500 660-93
	Brushed Dark Platinum	17 500 660-99

17 500 660 Product version from 7/1/2023

mm [inches]



Flow rate chart



Codes & Standards

DIN 4109

ISO 3822

Scottish Water
Byelaws

UK Water Supply
Regulations

Ü-Zeichen



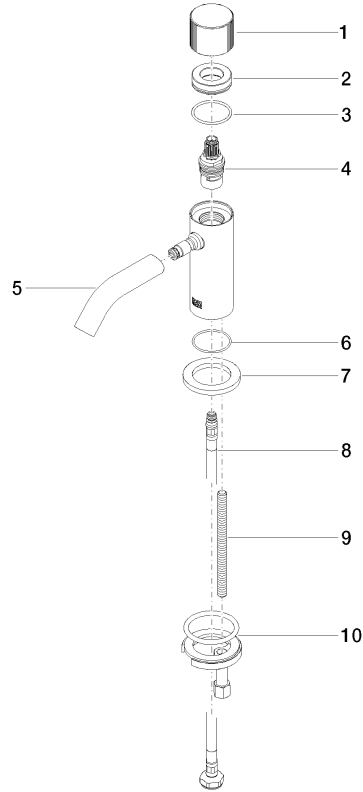
META Pillar tap cold water - Chrome

META

17 500 660 Product version from 7/1/2023

Certificates and sustainability

LGA_18	EPD-DOR-20230287 WRAS_251002 -IBA1-EN Environmental.prod uct-declarat
--------	--



Spare parts list

No.	Item Number	Name	Quantity used	Delivery time
	3 09 14 10 040 90	O-Ring 31,0 x 2,0 mm -	1.00	14
	6 09 14 10 202 90	O-Ring EPDM 70 31,0 x 1,5 mm -	1.00	14
	5 90 11 06 212 00-00	Spout 90 x 145 x 35 mm, 5,68 l/min. - Chrome	1.00	20
	4 90 90 03 135 00 90	Head part clockwise closing 1/2" -	1.00	14
	10 04 30 11 038 00 90	Mounting with O-ring Ø40 x 4mm Ø 52 x 1,5 mm -	1.00	14
	9 09 31 11 012 90	Mounting Threaded bolt M8 x110 mm -	1.00	14
	7 09 27 66 006-00	Rosette Ø 50 x Ø 33mm x 5 mm - Chrome	1.00	20
	2 09 21 02 307-00	Cover Ø 34,5 x 10 mm - Chrome	1.00	20
	1 09 20 66 012-00	Handle Ø 38 x 30 mm - Chrome	1.00	20
	8 04 30 04 100 00 90	High pressure hose M8x1 x 3/8" x 420 mm -	1.00	14