

# Motion detector, 230 V, 16 m, 180°, IP54, for surface mounting, white

350-20058

CE CE

4 year warranty



This 1-channel outdoor motion detector is especially suitable for use in a driveway or garden. It was designed to be surface mounted on a wall or partition. The detection range can be set to between 0 and 16 m and can be adapted using the cover mask. The sensor is surface-mounted on the wall. The device has a built-in light sensor and switches the lighting on and off automatically. Manual operation is also possible using the N.C. push button (to be ordered separately). After the pre-set time delay, the light is switched off automatically. This motion detector has an IP54 protection degree and complies with the European directives for EMC and safety, EN 60669-2-1.

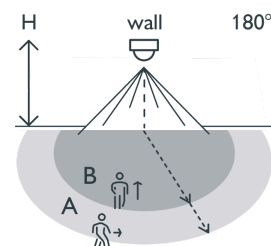
Colour: white

Compatible secondary detectors:

Compatible master detectors:

- Sustainable
- Functional
- Elegant
- Simple installation
- Energy saving
- Greater comfort
- Improved burglary protection
- Separate setting for the lux, the switch-off delay and the sensitivity

## Detection range



H	A Across	B Towards
2 m	11 m	5.5 m
2.5 m	14 m	7 m
3 m	16 m	8 m

Motion detector for use in driveways, carports, gardens, etc.

- The outdoor motion detector is fitted with a built-in light sensor; the lighting only turns on if the detector detects motion in the detection range and the

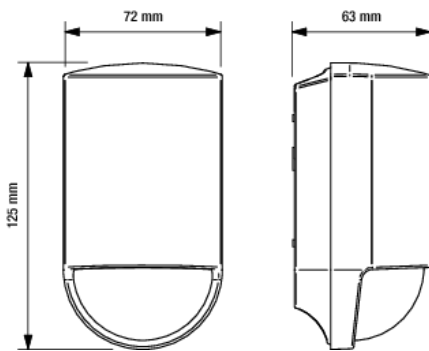
level of daylight is below the programmed lux value.

- The lighting remains on while motion is detected.
- The built-in time switch allows you to set the desired switch-off delay. The lighting will remain on throughout the disconnection time after the last movement has been detected.
- The sensor's lens can be covered with the cover mask provided, so you can divide the detection zone. The cover mask can be adapted according to the desired range.

## Technical features

Configuration	stand-alone
Input voltage	230 Vac
Detector output	230 V (ON/OFF)
Switch-off delay	60 sec – 1,800 sec
Maximum MCB rating	-10
Detection angle	180 °
Detection range (PIR)	ø 16 m from a height of 3 m
Minimum ambient temperature	-20 °C
Maximum ambient temperature	+45 °C
Mounting method	surface mounting
Mounting height	2 m – 3 m
Colour	white
Dimensions (HxWxD)	125 mm x 72 mm x 63 mm
Protection degree standalone	IP54

## Dimensions



## Wiring diagram

