

MEM Wall-mounted basin mixer without pop-up waste - Brushed Dark Platinum

MEM

36 717 782 Product version from 3/10/2014 to 10/27/2020



- 240mm projection
- fixed spout
- rectangular, air-enriched flow
- hole diameter valve 35 mm
- hole diameter spout 35 mm
- individual rosette 60 x 60 mm
- max. flow 5.7 l/min
- lead-free
- This product can help a building meet the requirements of Green Building Rating Systems, e.g. LEED®, BREEAM®, DGNB
- WRAS

| | | |
|---|--------------------------------|---------------|
|  | Brushed Dark Platinum | 36 717 782-99 |
|  | Chrome | 36 717 782-00 |
|  | Brushed Platinum | 36 717 782-06 |
|  | Platinum | 36 717 782-08 |
|  | Dark Chrome | 36 717 782-19 |
|  | Brushed Light Gold (PVD) | 36 717 782-27 |
|  | Brushed Durabronze (23kt Gold) | 36 717 782-28 |
|  | Brushed Gold (PVD) | 36 717 782-37 |
|  | Brushed Dark Brass (PVD) | 36 717 782-39 |
|  | Brushed Bronze (PVD) | 36 717 782-42 |
|  | Brushed Dark Bronze (PVD) | 36 717 782-43 |
|  | Brushed Champagne (22kt Gold) | 36 717 782-46 |
|  | Champagne (22kt Gold) | 36 717 782-47 |

Required miscellaneous



Concealed wall-mounted mixer centred spout - 35 700 970 90
 •min. recess depth 110 mm
 •max. recess depth 150 mm

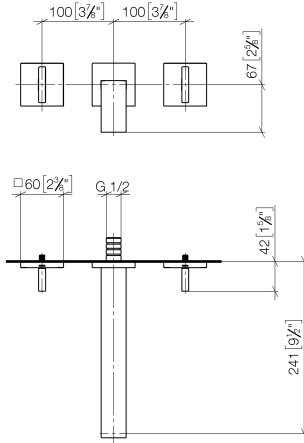
Required miscellaneous



Concealed wall-mounted mixer variable positioning - 35 720 970 90
 •min. recess depth 110 mm
 •max. recess depth 150 mm

36 717 782 Product version from 3/10/2014 to 10/27/2020

mm [inches]



Flow rate chart



Codes & Standards

DIN 4109

EN 200

ISO 3822

Scottish Water
Byelaws

UK Water Supply
Regulations

Ü-Zeichen

VA-Zeichen



MEM Wall-mounted basin mixer without pop-up waste - Brushed Dark Platinum

MEM

36 717 782 Product version from 3/10/2014 to 10/27/2020

Certificates and sustainability

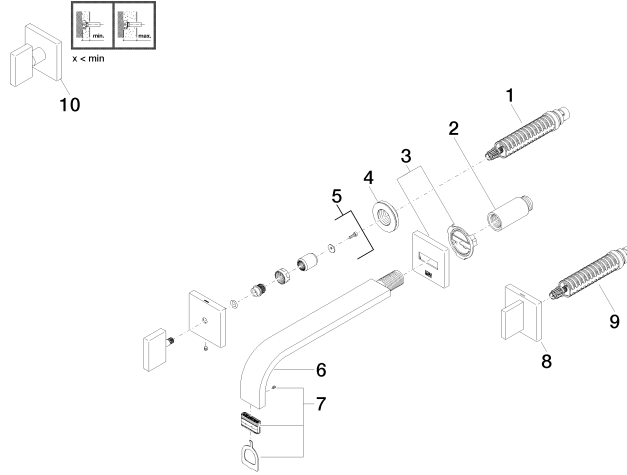
LGA_18

ETA_19

WRAS_2204

EPD-DOR-20230287
-IBA1-EN
Environmental.prod
uct-declarat

36 717 782 Product version from 3/10/2014 to 10/27/2020



Spare parts list

| No. | Item Number | Name | Quantity used | Delivery time |
|--|--------------------|--|---------------|---------------|
| 4 | 09 21 02 108 90 | Sleeve Ø 43,1 x 13 mm - | 2.00 | - |
| Spare part can no longer be ordered, please order the replacement item | | | | |
| | 9021021080090 | Wall disc complete - | | |
| 1 | 90 90 03 156 00 90 | Head part anti-clockwise closing 1/2" - | 1.00 | 14 |
| 7 | 90 29 03 109 00 90 | Aerator insert 5,7 l/min. - | 1.00 | 14 |
| 10 | 90 20 78 002 01-99 | Handle 60 x 60 x 55 mm - Brushed Dark Platinum | 1.00 | 40 |
| 6 | 04 28 22 148 10-99 | Spout 240 x 35 x 11 mm - Brushed Dark Platinum | 1.00 | 40 |
| 3 | 90 27 78 035 00-99 | Cover 60 x 60 x 9 mm - Brushed Dark Platinum | 1.00 | 40 |
| 2 | 09 24 03 081 10 90 | Extension 1/2" x 50 mm - | 1.00 | 14 |
| 8 | 90 20 78 002 06-99 | Handle for wall valve Cold 60 x 75 x 60 mm - Brushed Dark Platinum | 1.00 | 40 |
| 9 | 90 90 03 157 00 90 | Head part clockwise closing 1/2" - | 1.00 | 14 |
| 5 | 90 20 78 002 07-99 | Handle for wall valve Hot 60 x 75 x 60 mm - Brushed Dark Platinum | 1.00 | 40 |