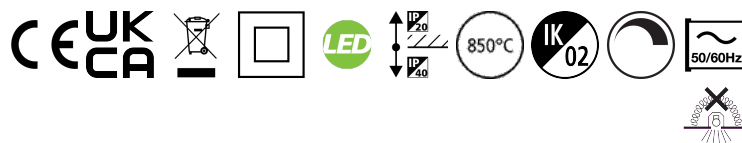


Concord

Solstice 200 2000lm 930 DALI Sandblast 2070416



Features

- Solstice 200 2000lm 930 DALI Sandblast is an efficient DALI dimmable downlight luminaire, Colour rendering index Ra>90, Colour temperature: 3000K Warm White, Class II, Protection rating IP40/IP20, Cut out dimensions: 150mm.

Product Overview

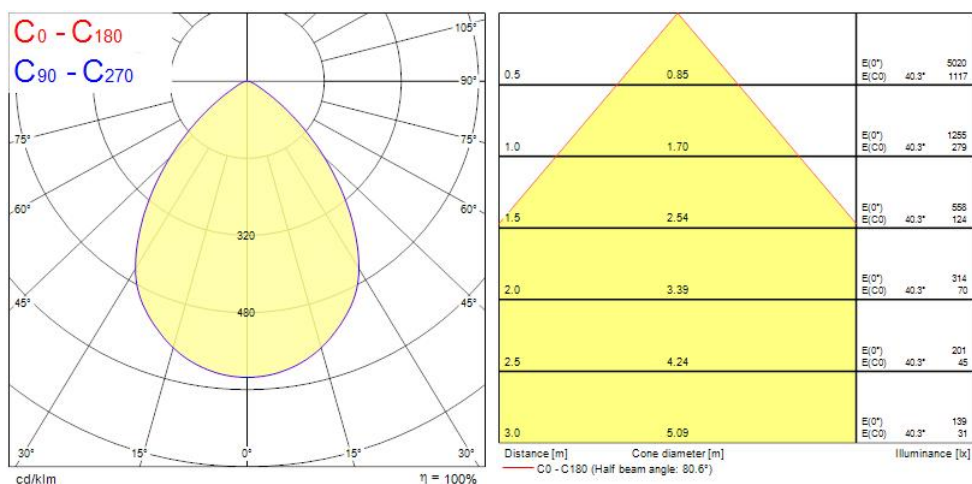
Product name	Solstice 200 2000lm 930 DALI Sandblast
Technology	LED
Cap/Base	N/A
Housing	Aluminium
Mount	Ceiling recessed mounting
General application	Hospitality, Office, Retail
ETIM Class	EC001744
E-number FI	4170377
Fixture luminous flux (lm)	2000
Luminaire efficacy (lm/W)	135
LOR (%)	118
Correlated colour temperature (k)	3000
Light colour	Warm White
CRI (Ra)	90
Colour Consistency (SDCM)	3
Colour Variation Initial (SDCM)	3
Beam Angle (°)	70
Glare control	< 19
Photobiological Risk Group	RG1

Concord

Solstice 200 2000lm 930 DALI Sandblast 2070416

Total power consumption (W)	17
Electrical protection	Class II
Control gear type	LED driver constant current
Dimmable	Yes
Minimum dimming level (%)	1
LED Flickering Rate	Ultra low (5% or less)
Housing colour	RAL9016
IP rating	IP40/20
IK rating	IK02
Product EAN number	5025768704163
Warranty	5 years
Dimming method	DALI, DALI-2, Switch-dim (mains-rated)

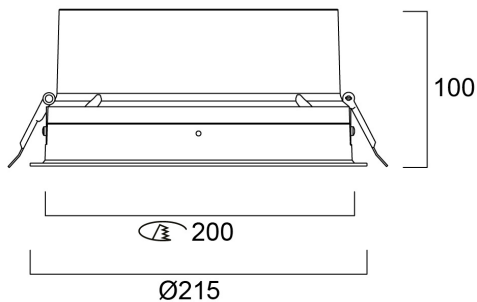
Photometry



Concord

Solstice 200 2000lm 930 DALI Sandblast 2070416

Technical drawings



Data table

GENERAL DATA

Product name	Solstice 200 2000lm 930 DALI Sandblast
Technology	LED
Cap/Base	N/A
Housing	Aluminium
Mount	Ceiling recessed mounting
General application	Hospitality, Office, Retail
Operating temperature range (°C)	-10°C...+40°C
Performance ambient temperature Tq (°C)	40
ETIM Class	EC001744
E-number FI	4170377
Warranty	5 years

OPTICAL DATA

Fixture luminous flux (lm)	2000
Luminaire efficacy (lm/W)	135

Concord

Solstice 200 2000lm 930 DALI Sandblast 2070416

LOR (%)	118
Correlated colour temperature (k)	3000
Light colour	Warm White
CRI (Ra)	90
Colour Variation Initial (SDCM)	3
Colour Consistency (SDCM)	3
Beam Angle (°)	70
Distribution type	Symmetric
Glare control	< 19
Photobiological Risk Group	RG1

ELECTRICAL DATA

Total power consumption (W)	17
Current (A)	450
Primary Supply/Product voltage - min (V)	220.0
Primary Supply/Product voltage - max (V)	240.0
Lamp power factor	0.96
THD (at 230 V, 50 Hz, full load, at 100% dimming level) ≤ xx.x %	7
Electrical protection	Class II
Control gear required	No
Control gear type	LED driver constant current
Dimmable	Yes
Dimming method	DALI, DALI-2, Switch-dim (mains-rated)
Minimum dimming level (%)	1
Drive current (mA)	450
Inrush Current (A)	25
Inrush Duration (µs)	141
Energy Efficiency Class (A->G) of contained light source	C
Nominal Frequency (Hz)	50/60Hz
LED Flickering Rate	Ultra low (5% or less)
Max. products per 10A C Breaker	31
Max. products per 13A C Breaker	40
Max. products per 16A C Breaker	51

Concord

Solstice 200 2000lm 930 DALI Sandblast 2070416

Max. products per 20A C Breaker	66
Max. products per 10A B Breaker	19
Max. products per 13A B Breaker	24
Max. products per 16A B Breaker	31
Max. products per 20A B Breaker	40
Connectable conductor cross section - Min (mm ²)	0.5
Connectable conductor cross section - Max (mm ²)	2.5

LIFETIME DATA

Lifespan L70 B50	120000
Lifespan L80 B20	120000
Lifespan L80 B10	120000
Lifespan L90 B10	68000

PHYSICAL DATA

Housing colour	RAL9016
IP rating	IP40/20
IK rating	IK02
Diffuser finish	Diffuse
Diffuser material	PC Polycarbonate
Reflector finish	Not Applicable
Nominal Product Height (mm)	100
Nominal Product Diameter (mm)	215
Built-in diameter (mm)	200
Max. Lamp Diameter (mm) - D	215
Weight (kg)	0.95
Recessed Depth (mm)	150

PACKAGING

Product EAN number	5025768704163
Packaging single length / height (cm)	30.0
Packaging single width (cm)	30.0

Concord

Solstice 200 2000lm 930 DALI Sandblast 2070416

Packaging single depth (cm)	12.5
DUN14 (inner)	05025768704163
Units per outer package	1
Packaging outer length / height (cm)	30.0
Packaging outer width (cm)	30.0
Packaging outer depth (cm)	12.5

SAFETY DATA

Glow Wire Test (°C)	850
Optimal operating condition (°C)	-10-40
Special purpose lamp	No
Dry applications use only	No
Suitable for household illumination	No