

32 805 680 Product version from 5/31/2010 to 3/10/2021



- 165mm projection
- pivotable spout 360°
- air-enriched flow
- height of mixer 230 mm
- height up to laminar flow regulator 205 mm
- individual rosette 55 x 55 mm
- hole diameter spout 35 mm
- single-lever mixer hole diameter 44 mm
- max. flow 8 l/min at 3 bar flow pressure
- lead-free
- WRAS
- This product can help a building meet the requirements of Green Building Rating Systems, e.g. LEED®, BREEAM®, DGNB

Operating unit can be positioned freely.

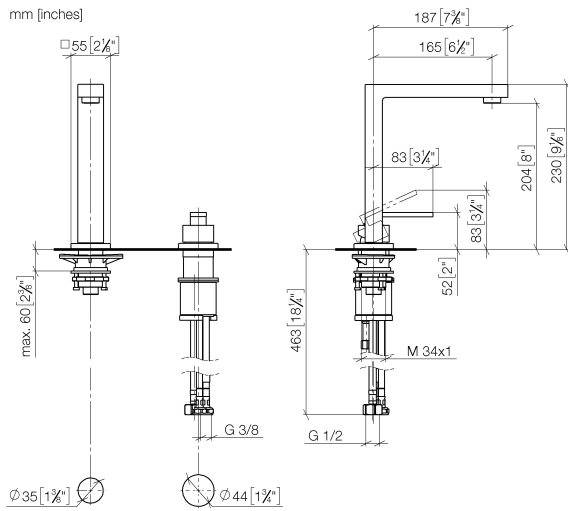
	Brushed Platinum	32 805 680-06
	Chrome	32 805 680-00
	Platinum	32 805 680-08
	Dark Chrome	32 805 680-19
	Brushed Durabronze (23kt Gold)	32 805 680-28
	Brushed Bronze (PVD)	32 805 680-42
	Brushed Champagne (22kt Gold)	32 805 680-46
	Champagne (22kt Gold)	32 805 680-47
	Brushed Dark Platinum	32 805 680-99

Recommended miscellaneous

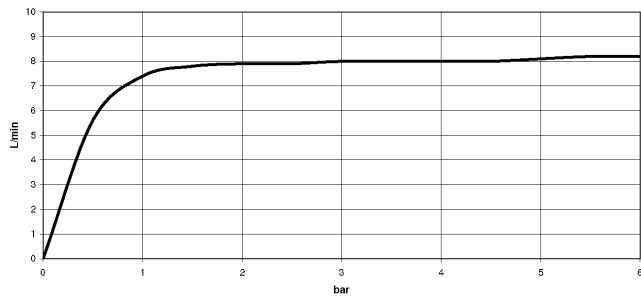
Dispenser with rosette - Brushed Platinum 82 439 970-06



32 805 680 Product version from 5/31/2010 to 3/10/2021



Flow rate chart



Codes & Standards

DIN 4109

Executive Order
no. 1007

ISO 3822

Scottish Water
Byelaws

UK Water Supply
Regulations

Ü-Zeichen



LOT BAR TAP Two-hole mixer with individual rosettes - Brushed Platinum

LOT

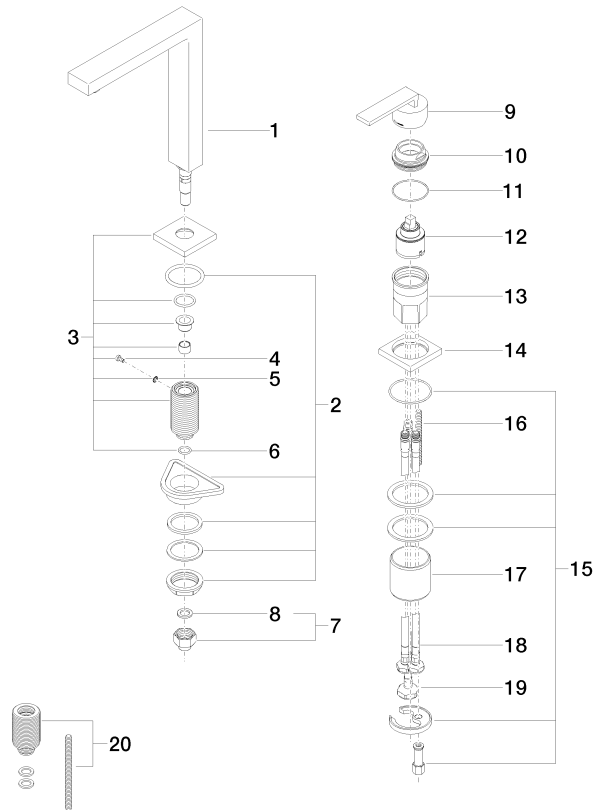
32 805 680 Product version from 5/31/2010 to 3/10/2021

Certificates and sustainability

GDV_0400	LGA_18	WRAS_250402	EPD-DOR-20230287 -IBA1-EN Environmental.prod uct-declarat
----------	--------	-------------	--

32 805 680 Product version from 5/31/2010 to 3/10/2021

Parts for other finishes can be found here: [Chrome](#)





LOT BAR TAP Two-hole mixer with individual rosettes - Brushed Platinum

LOT

32 805 680 Product version from 5/31/2010 to 3/10/2021

Spare parts list

No.	Item Number	Name	Quantity used	Delivery time
20	12 802 970 90	Extension set -	1.00	-
Spare part can no longer be ordered, please order the replacement item				
6	90 14 10 077 00 90	O-Ring EPDM 70 12,0 x 2,0 mm -	1.00	14
17	09 18 40 079 90	Sleeve Ø 50 x 50 mm -	1.00	14
7	04 24 04 166 10 90	Adapter 1/2" x M10x1 -	1.00	14
11	09 14 10 037 90	O-Ring 42,0 x 1,5 . mm -	1.00	14
3	90 27 78 023 00-06	threaded shank with spout seals and escutcheon 55 x 55 x 9 mm - Brushed Platinum	1.00	20
15	04 30 11 038 02 90	Mounting with O-ring Ø49 x 2mm Ø 52 x 1,5 mm -	1.00	14
16	09 31 11 011 90	Mounting Threaded bolt M8 x 80 mm -	1.00	14
8	90 14 20 002 00 90	Washer 18,5 x 12,0 x 2,0 mm -	1.00	14
14	09 27 78 007-06	Rosette 55 x 8,5 x 55 x Ø 42,7 mm - Brushed Platinum	1.00	20
10	09 24 04 142-06	Mounting Ø 45 x 21,5 mm - Brushed Platinum	1.00	20
1	90 11 06 192 04-06	Spout 221 x 199 x 36 mm, 8 l/min. - Brushed Platinum	1.00	20
2	04 23 10 044 01 90	Mounting with seals M34 x 1 -	1.00	14
5	09 30 11 028 90	Mounting Serrated lock washer Ø 4,3 -	1.00	14
9	90 20 78 040 00-06	Handle Lever 30 x 40 x 95 mm - Brushed Platinum	1.00	20
19	04 30 04 019 00 90	High pressure hose with sleeve nut M10x1 x 1/2" x 420 mm -	1.00	14
4	09 30 30 057 90	Mounting Cylinder head screw with hexagon socket with low profile M4 x 8 mm -	1.00	14
12	90 15 05 045 00 90	Cartridge black Ø 35 x 52 mm -	1.00	14
18	04 30 04 104 00 90	High pressure hose M10x1 x 3/8" x 420 mm -	2.00	14
13	09 30 01 100 10 90	Connection Ø 45 x 58 mm -	1.00	14