

Features

- START Downlight Eco is an integrated LED recessed downlight with built-in non dimmable driver; Loop in loop out connector allows for quick installation; 12W; 1100Lm; 92Lm/W; 3000K.

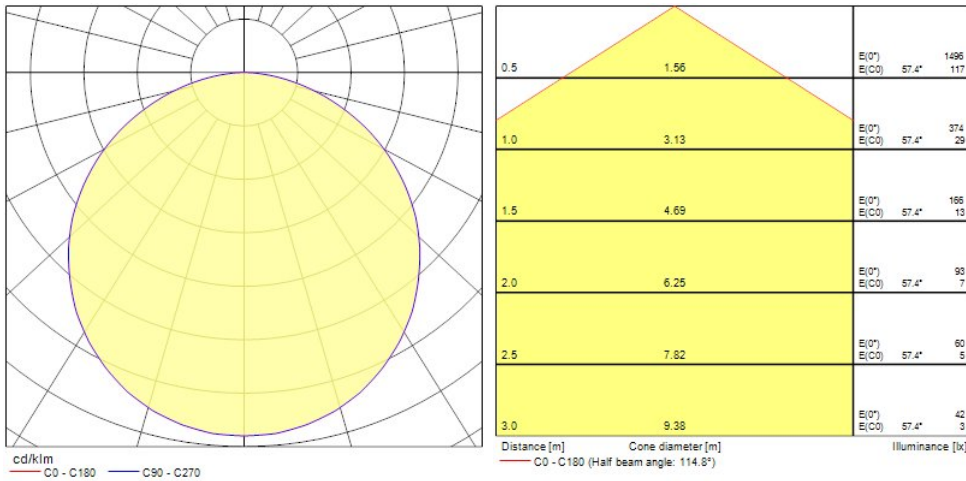
Product Overview

Product name	START Downlight Eco 145 1100lm 830
Technology	LED
Cap/Base	N/A
Housing	PC Polycarbonate
Mount	Ceiling recessed mounting
General application	Hospitality, Retail
ETIM Class	EC001744
Fixture luminous flux (lm)	1100
Luminaire efficacy (lm/W)	92
Correlated colour temperature (k)	3000
Light colour	Warm White
CRI (Ra)	80
Colour Variation Initial (SDCM)	6
Beam Angle (°)	110
Glare control	< 28
Photobiological Risk Group	RG0
Total power consumption (W)	12
Electrical protection	Class II
Control gear type	LED driver constant current
Dimmable	No

START Downlight Eco 145 1100lm 830 0055185

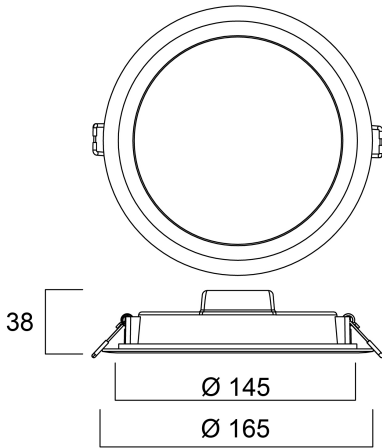
LED Flickering Rate	Medium (21% - 40%)
Housing colour	RAL9003
IP rating	IP20
IK rating	IK02
Product EAN number	5410288551852
Warranty	3 years
Dimming method	N/A

Photometry



START Downlight Eco 145 1100lm 830 0055185

Technical drawings



Data table

GENERAL DATA

Product name	START Downlight Eco 145 1100lm 830
Technology	LED
Cap/Base	N/A
Housing	PC Polycarbonate
Mount	Ceiling recessed mounting
General application	Hospitality, Retail
Operating temperature range (°C)	-20°C...+40°C
Performance ambient temperature Tq (°C)	25
ETIM Class	EC001744
Warranty	3 years

OPTICAL DATA

Fixture luminous flux (lm)	1100
Luminaire efficacy (lm/W)	92
Correlated colour temperature (k)	3000

START Downlight Eco 145 1100lm 830 0055185

Light colour	Warm White
CRI (Ra)	80
Colour Variation Initial (SDCM)	6
Beam Angle (°)	110
Distribution type	Symmetric
Glare control	< 28
Photobiological Risk Group	RG0

ELECTRICAL DATA

Total power consumption (W)	12
Primary Supply/Product voltage - min (V)	220
Primary Supply/Product voltage - max (V)	240
Lamp power factor	0.5
THD (at 230 V, 50 Hz, full load, at 100% dimming level) ≤ xx.x %	115.0
Electrical protection	Class II
Control gear required	No
Control gear type	LED driver constant current
Dimmable	No
Dimming method	N/A
Drive current (mA)	85
Inrush Current (A)	9
Inrush Duration (µs)	180
Energy Efficiency Class (A->G) of contained light source	F
Nominal Frequency (Hz)	50/60Hz
LED Flickering Rate	Medium (21% - 40%)
Max. products per 10A C Breaker	109
Max. products per 13A C Breaker	142
Max. products per 16A C Breaker	175
Max. products per 20A C Breaker	220
Max. products per 10A B Breaker	64
Max. products per 13A B Breaker	84
Max. products per 16A B Breaker	104
Max. products per 20A B Breaker	131

START Downlight Eco 145 1100lm 830 0055185

Connectable conductor cross section - Min (mm ²)	0.75
---	------

Connectable conductor cross section - Max (mm ²)	1.5
---	-----

LIFETIME DATA

Lifespan L70 B50	30000
------------------	-------

PHYSICAL DATA

Housing colour	RAL9003
----------------	---------

IP rating	IP20
-----------	------

IK rating	IK02
-----------	------

Diffuser finish	Opal
-----------------	------

Diffuser material	PC Polycarbonate
-------------------	------------------

Reflector finish	Not Applicable
------------------	----------------

Nominal Product Height (mm)	38
-----------------------------	----

Nominal Product Diameter (mm)	165
-------------------------------	-----

Built-in diameter (mm)	150
------------------------	-----

Weight (kg)	0.17
-------------	------

PACKAGING

Product EAN number	5410288551852
--------------------	---------------

Packaging single length / height (cm)	19.8
---------------------------------------	------

Packaging single width (cm)	4.3
-----------------------------	-----

Packaging single depth (cm)	16.7
-----------------------------	------

DUN14 (inner)	15410288551859
---------------	----------------

Units per outer package	12
-------------------------	----

Packaging outer length / height (cm)	35.5
--------------------------------------	------

Packaging outer width (cm)	21.9
----------------------------	------

Packaging outer depth (cm)	30.5
----------------------------	------

SAFETY DATA

Glow Wire Test (°C)	650
---------------------	-----

START Downlight Eco 145 1100lm 830 0055185

Optimal operating condition (°C)	-20-40
Special purpose lamp	No
Dry applications use only	No
Suitable for household illumination	No