

# Presence detector, 230 V, master, 24 m, IP54, for surface mounting, white

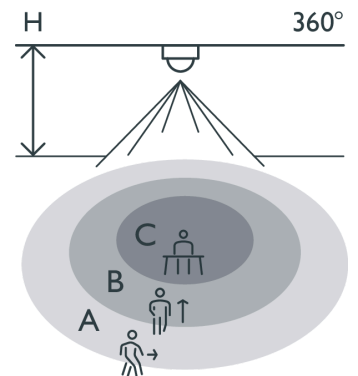
350-20078



230 V	master	IP54	N.O., potential-free	20 lx – 1,000 lx	360°	ø 24 m from a height of 3 m
2 m – 3.4 m	surface-mounting					



## Detection range



H	A Across	B Towards	C Presence
2 m	ø 16 m	ø 10 m	ø 4 m
2.5 m	ø 20 m	ø 12 m	ø 5 m
3 m	ø 24 m	ø 14.4 m	ø 6 m
3.5 m	ø 28 m	ø 16 m	ø 7 m

This presence detector with one channel (360°, 10 A) is suitable for surface-mounting in ceilings and is used to switch indoor lighting on and off. The detector has a circular detection area with a diameter of up to 24 m that can be adjusted using the cover mask. The device with integrated light sensor can be set up as a presence or as an absence detector. When used as a presence detector, the lighting automatically switches on and off (as soon as the switch-off delay has elapsed). When used as an absence detector, the lighting must always be manually switched on first using an N.O. push button, after which it will be automatically switched off (as soon as the switch-off delay has elapsed). The device is also equipped with the 'eco off' function, which allows the user to switch the lighting off using a connected N.O. push button without having to wait for the switch-off delay. If the lighting is not switched off manually, it will be switched off automatically once the switch-off delay has elapsed. The device has an IP54 protection degree and a potential-free contact. The set-up can be performed manually on the device itself or via a remote control. The product can be used as a stand-alone unit or in combination with a maximum of ten secondary detectors.

Colour: white

Compatible secondary detectors: 350-20071, 350-20079, 350-20081

Compatible master detectors:

- Simple mounting
- Low power consumption (0.2 W)
- Splashproof (IP54)
- Large detection zone with a diameter of 24 m, from a height of 3 m

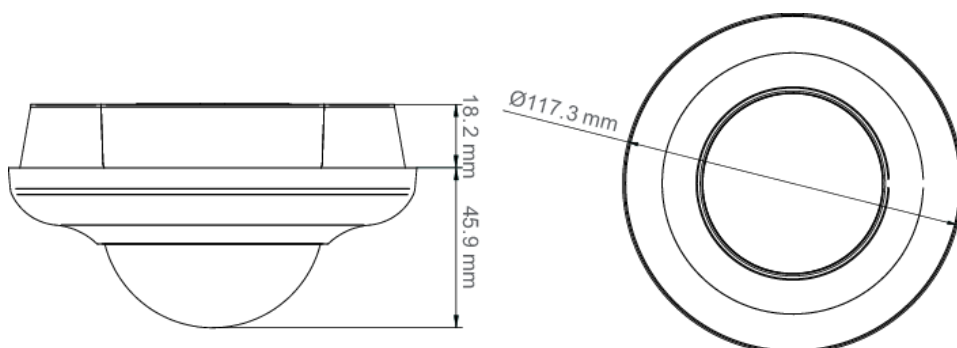
For use in offices, school buildings, cafeterias, etc.

- Can be set up as a presence or an absence detector
- Is fitted with an eco switch-off function, which allows the user to save time by overriding the switch-off delay and turning off the lighting when leaving the room. This function can also be disabled, for example in (public) premises where the user cannot turn off the lighting as a safety measure.
- Has multiple adjustable parameters: the switch-off delay, the lux value at which the lighting must turn on and the sensitivity
- Offers two configuration options: manually on the device or via the IR remote control (optional)
- Includes a lens cover mask to divide the detection zone. The cover mask can be adapted according to the desired detection range.

## Technical features

Compatible secondary detectors	350-20071, 350-20079, 350-20081
Configuration	master
Input voltage	230 Vac
Detector output	230 V (ON/OFF)
Switch-off delay	pulse, 120 sec – 3,600 sec
Maximum MCB rating	-10
Detection angle	360 °
Detection range (PIR)	Ø 24 m from a height of 3 m
Minimum ambient temperature	-5 °C
Maximum ambient temperature	+50 °C
Mounting method	surface mounting
Mounting height	2 m – 3.4 m
Colour	white
Dimensions (HxWxD)	117.3 mm x 117.3 mm x 64.1 mm
Protection degree standalone	IP54
Impact resistance	IK04

## Dimensions



## Wiring diagram

