

33 300 660 Product version from 7/1/2023



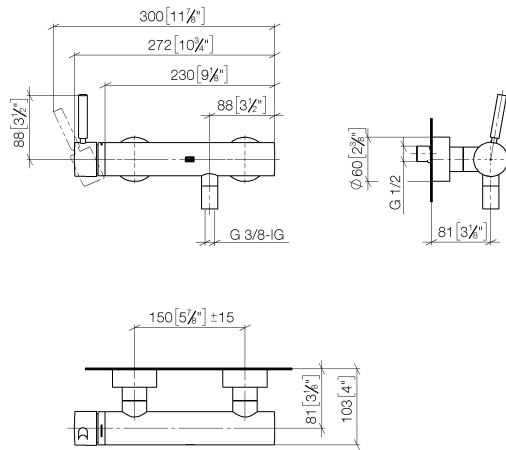
- 3/8" shower outlet
- slide-on rosettes Ø 60 mm
- 1/2" connection
- gauge 150 mm - 15 mm
- WRAS

Intrinsic protection against back flow.

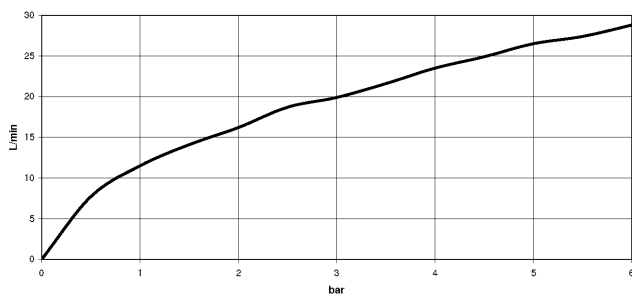
	Matte Black	33 300 660-33
	Chrome	33 300 660-00
	Brushed Platinum	33 300 660-06
	Dark Chrome	33 300 660-19
	Light Gold (PVD)	33 300 660-26
	Brushed Light Gold (PVD)	33 300 660-27
	Brushed Gold (PVD)	33 300 660-37
	Brushed Dark Brass (PVD)	33 300 660-39
	Brushed Bronze (PVD)	33 300 660-42
	Brushed Dark Bronze (PVD)	33 300 660-43
	Brushed Chrome	33 300 660-93
	Brushed Dark Platinum	33 300 660-99

33 300 660 Product version from 7/1/2023

mm [inches]



**Flow rate chart**



**Codes & Standards**

DIN 4109

EN 1717

EN 817

ISO 3822

Scottish Water  
Byelaws

UK Water Supply  
Regulations

Ü-Zeichen



## META Single-lever shower mixer for wall mounting - Matte Black

META

33 300 660 Product version from 7/1/2023

### Certificates and sustainability

Belgaqua\_21-025-2 LGA\_29

WRAS\_2205

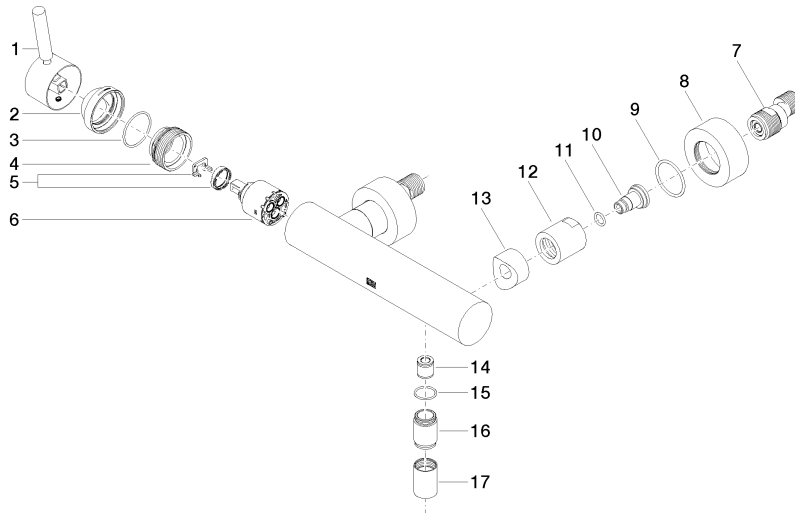
DVGW\_DW-  
6506DN0

EPD-DOR-20230287  
-IBA1-EN  
Environmental.prod  
uct-declarat

Belgaqua\_25-338-2

33 300 660 Product version from 7/1/2023

Parts for other finishes can be found here: [Chrome](#)



## Spare parts list

No.	Item Number	Name	Quantity used	Delivery time
1	90 20 66 007 00-33	Handle Lever 52 x 35 x 117 mm - Matte Black	1.00	40
7	04 11 04 030 00 90	S-connection with sound damper and seal 1 pair G1/2 x G3/4 -	2.00	14
8	09 27 62 004-33	Rosette Ø 60 x 25 mm - Matte Black	2.00	40
10	09 29 05 005 20 90	nipple	2.00	82
15	90 14 10 032 00 90	O-Ring 18,1 x 1,6 mm -	1.00	14
4	09 24 04 296 90	Cartridge Cartridge screw connection Ø 40 x 20 mm -	1.00	14
2	09 28 30 032-33	Cover Ø 45 x 22,7 mm - Matte Black	1.00	40
12	09 23 10 048-33	Mounting Ø 33 x 34 mm - Matte Black	2.00	40
11	09 14 10 008 90	O-Ring 10,0 x 2,0 mm -	2.00	14
5	90 28 10 148 00 90	Temperature limitation ring -	1.00	14
14	90 23 01 141 00 90	Back-flow preventer -	1.00	14
16	09 24 03 115 20-33	Nipple Ø 22 x 33 mm - Matte Black	1.00	40
6	90 15 05 064 00 90	Single-lever mixer cartridge Ø 35 mm x 58,6 mm -	1.00	-
Spare part can no longer be ordered, please order the replacement item				
	9015050460090	Single-lever mixer cartridge Ø 35 mm x 58,6 mm -		
9	09 14 10 119 90	O-Ring EPDM 70 33,0 x 2,5 mm -	2.00	14
3	09 14 10 102 90	O-Ring 33,05 x 1,78 mm -	1.00	14
17	90 21 02 069 00-33	Cover/sleeve M20 x 1 - Matte Black	1.00	40
13	09 18 40 059-33	Connection Spacer Ø 33 x 23 mm - Matte Black	2.00	40