

# SJ31 'J' Type feeder pillar fuse link



## Product description

Eaton's Bussmann® series SJ31 'J' Type feeder pillar fuse links are designed to be used with wedge type fuse carriers on BS applications. These fuse links will be used by Electrical Authorities in distribution pillars, open type substation boards, heavy duty cut-outs and underground connection boxes. They can also be fitted in pole or wall mounted outdoor service fuse links.

## Features

- BS88-2
- gU Characteristics
- Ideal for Utility applications
- Excellent cable protection

**Catalogue symbol:**

- 560SJ31-6
- 630SJ31-6

**Technical data:**

- Rated voltage: 415 V a.c.
- Rated current: 560 and 630 A
- Breaking capacity: 80 kA a.c.
- Breaking range and utilisation category: gU

**Standards/approvals:**

- ASTA certified
- Tested to BS88-2 Fuse system I (previously known as BS88-5)

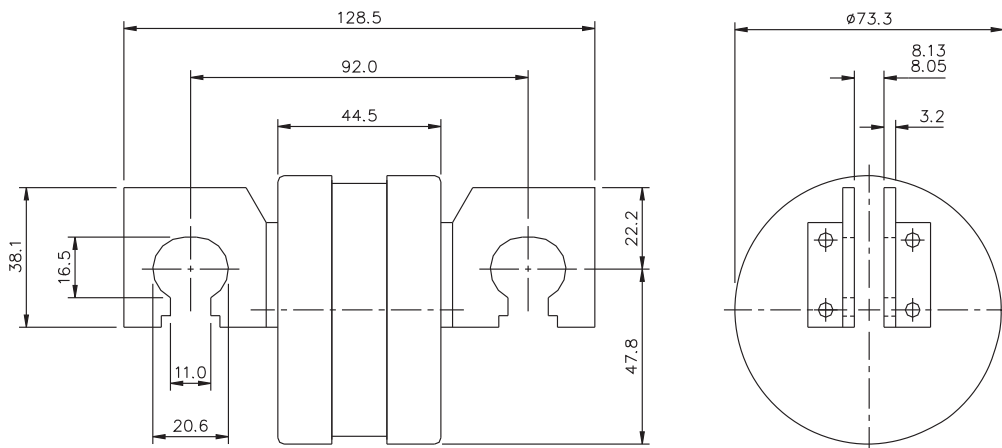
**Packaging:**

- MOQ: 10

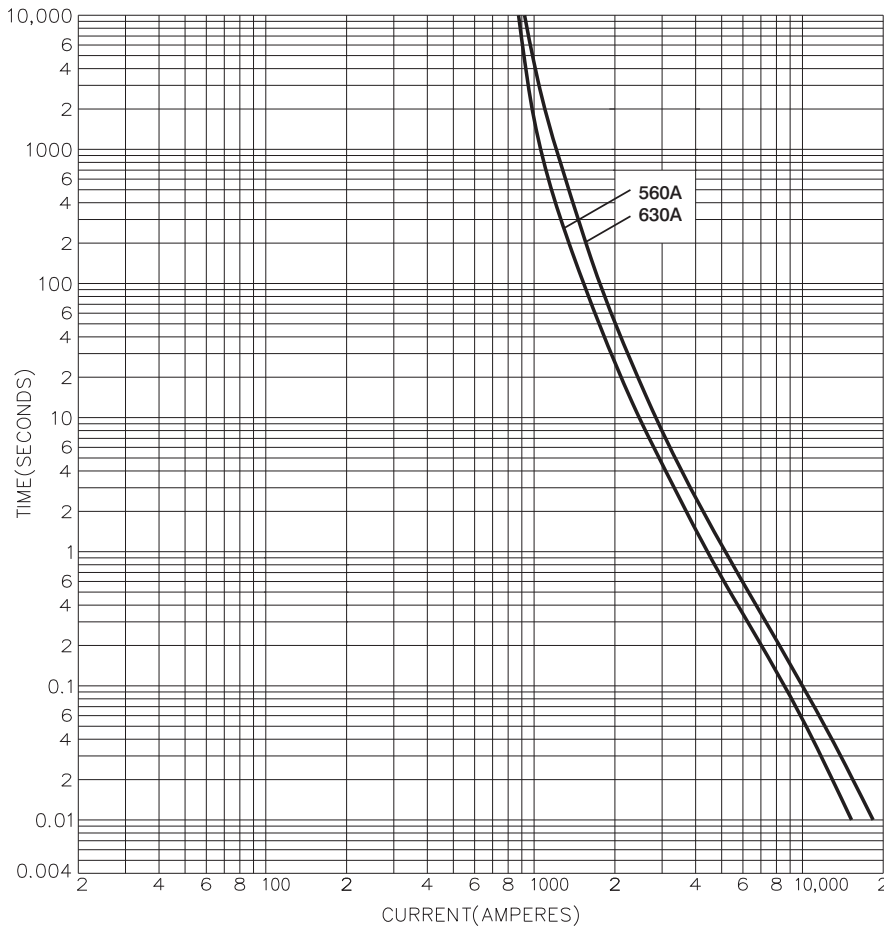
**Table 1. Technical data**

Part number	Rated voltage	Rated current (Amps)	Energy integrals I <sup>2</sup> t (A <sup>2</sup> S)		Watts loss	Product Class
			Pre-arcing	Total at 415 V	W	
560SJ31-6	415 V a.c.	560	2,300,000	5,300,000	38	gU
630SJ31-6	415 V a.c.	400	3,250,000	7,450,000	41	gU

**Dimensions - mm**



**Time current curve**



Changes to the products, to the information contained in this document, and to prices are reserved; so are errors and omissions. Only order confirmations and technical documentation by Eaton is binding. Photos and pictures also do not warrant a specific layout or functionality. Their use in whatever form is subject to prior approval by Eaton. The same applies to Trademarks (especially Eaton, Moeller, and Cutler-Hammer). The Terms and Conditions of Eaton apply, as referenced on Eaton Internet pages and Eaton order confirmations.

**Eaton**  
 EMEA Headquarters  
 Route de la Longeraie 7  
 1110 Morges, Switzerland

Eaton Electrical Products Limited  
 Melton Road  
 Burton-on-the-Wolds  
 Leicestershire, LE12 5TH  
 United Kingdom

© 2017 Eaton  
 All Rights Reserved  
 PDF Only  
 Publication No. 4183  
 November 2017

Eaton is a registered trademark.

All other trademarks are property of their respective owners.