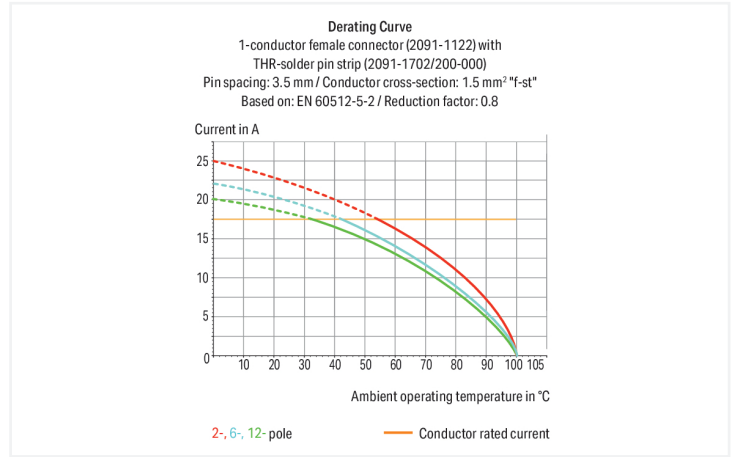


Data Sheet | Item Number: 2091-1703/200-000

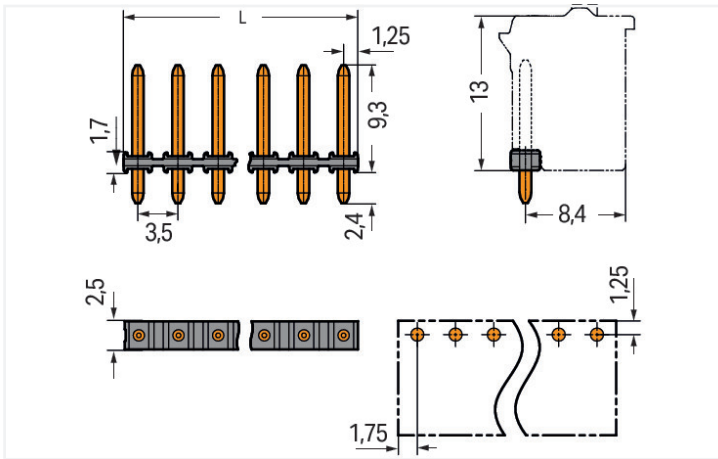
THR pin strip; 1.0 mm Ø solder pin; straight; Pin spacing 3.5 mm; 3-pole; black

<https://www.wago.com/2091-1703/200-000>



Color: ■ black

Similar to illustration



$L = (\text{pole no.} - 1) \times \text{pin spacing} + 2.5 \text{ mm}$

Male connector, 2091 Series, with 3.5 mm pin spacing

Fault-free electrical installations are guaranteed with this male connector (item number 2091-1703/200-000). The item's dimensions are (12 x 11.7 x 2.5) mm (width x height x depth).

Tin is used for coating the contact surfaces. The pcb connector is designed for THR soldering.

Notes

Safety Information

The **picoMAX® Pluggable Connection System** includes connectors without breaking capacity in accordance with DIN EN 61984. When used as intended, these connectors must not be connected/disconnected when live or under load. When used as intended, these connectors must not be connected/disconnected when live or under load. The circuit design should ensure header pins, which can be touched, are not live when unmated.

Variants:

Tape-and-reel packaging
Other versions (or variants) can be requested from WAGO Sales or configured at <https://configurator.wago.com/>.

Electrical data

| Ratings per | IEC/EN 60664-1 | | |
|---------------------------------|----------------|--------|--------|
| | III | III | II |
| Overvoltage category | III | III | II |
| Pollution degree | 3 | 2 | 2 |
| Nominal voltage | 160 V | 160 V | 320 V |
| Rated impulse withstand voltage | 2.5 kV | 2.5 kV | 2.5 kV |
| Rated current | 10 A | 10 A | 10 A |

Connection Data

| | | | |
|----------------------------|---|---------------------|---|
| Number of connection types | 1 | Connection 1 | |
| Number of levels | 1 | Pole number | 3 |

Physical data

| | |
|------------------------------------|--------------------------|
| Pin spacing | 3.5 mm / 0.138 inches |
| Width | 12.0 mm / 0.472 inches |
| Height | 11.7 mm / 0.461 inches |
| Height from the surface | 9.3 mm / 0.366 inches |
| Depth | 2.5 mm / 0.098 inches |
| Solder pin length | 2.4 mm |
| Solder pin diameter | 1 mm |
| Plated through-hole diameter (THR) | 1.2 ^(+0.1) mm |

Mechanical data

| | |
|--------------------------|-----|
| Variable coding | Yes |
| Anti-rotation protection | Yes |

Plug-in connection

| | |
|--------------------------------------|---------------------|
| Contact type (pluggable connector) | Male connector/plug |
| Connector (connection type) | for PCB |
| Mismating protection | No |
| Plugging without loss of pin spacing | Yes |
| Mating direction to the PCB | 90 ° |

PCB contact

| | |
|-------------|-----|
| PCB contact | THR |
|-------------|-----|

Material data

| | |
|------------------------------------|--|
| Note (material data) | Information on material specifications can be found here |
| Color | black |
| Material group | I |
| Insulation material (main housing) | Polyphthalamide (PPA GF) |
| Flammability class per UL94 | V0 |
| Contact material | Electrolytic copper (E _{Cu}) |
| Contact Plating | Tin |
| Fire load | 0 MJ |
| Weight | 0.3 g |
| MSL per J-STD 020D | 1 |

Environmental requirements

| | |
|-------------------------|-----------------|
| Limit temperature range | -60 ... +100 °C |
|-------------------------|-----------------|

Commercial data

| | |
|-----------------------|---------------|
| PU (SPU) | 500 pcs |
| Packaging type | Bag |
| Country of origin | CN |
| GTIN | 4055143935494 |
| Customs tariff number | 85369010000 |

Product Classification

| | |
|-----------|----------------------|
| UNSPSC | 39121409 |
| ETIM 9.0 | EC002637 |
| ETIM 10.0 | EC002637 |
| ECCN | NO US CLASSIFICATION |

Environmental Product Compliance

| | |
|------------------------|-------------------------|
| RoHS Compliance Status | Compliant, No Exemption |
|------------------------|-------------------------|

Approvals / Certificates

General approvals



| Approval | Standard | Certificate Name |
|---------------------------------------|-----------|------------------|
| CB DEKRA Certification B.V. | IEC 61984 | NL-89884 |
| CSA CSA Group | C22.2 | 2362521 |
| KEMA/KEUR DEKRA Certification B.V. | EN 61984 | 71-129873 |
| UL Underwriters Laboratories Inc. | UL 1977 | E45171 |

Downloads

Environmental Product Compliance

Compliance Search

| | |
|---|---|
| Environmental Product Compliance 2091-1703/200-000 | ↓ |
|---|---|

Documentation

Additional Information

| | | | |
|-------------------|------------|-------------------|-------------------|
| Technical Section | 03.04.2019 | pdf 2027.26 KB | ↓ |
| | | pdf 611.20 KB | ↓ |

CAD/CAE-Data

CAD data

| | |
|-----------------------------------|-------------------|
| 2D/3D Models 2091-1703/200-000 | ↓ |
|-----------------------------------|-------------------|

CAE data

| | |
|-----------------------------------|-------------------|
| ZUKEN Portal 2091-1703/200-000 | ↓ |
|-----------------------------------|-------------------|