

Catalogue symbol

- Knife blade fuse link:BSF-(amps)G-3XL15
- Bolted blade fuse link:BSF-(amps)G-3XL15-B

For example catalogue number **BSF-250G-3XL15** represents a **Battery Storage Fuse**, rated at **250 A**, **G** operating class gBat, **3XL XL fuse body size**, rated at **1500 V d.c.**, Knife blade

Technical data

- Rated voltage: 1500 V d.c.
- Rated current: 250 to 500 A
- Fuse body size: 3L
- Operating class: gBat proposed for full range fuse links for protection of battery storage systems
- Breaking capacity: 100 kA
- Time constant: 4.5 ms at 100 kA
- ROHS and Reach compliant

Standards/Approvals

- IEC 60269-7 for battery storage fuse links is under preparation (expected publication in 2021)

Packaging

- 1 in a pack

Microswitches

- For knife blade fuse links: 170H0236 or 170H0238
- For bolted fuse links: 170H0069

Fuse bases for knife blades fuse links only:

- SD3L-S-PV (up to 400 A only) see details on data sheet 10685

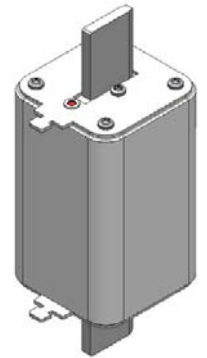
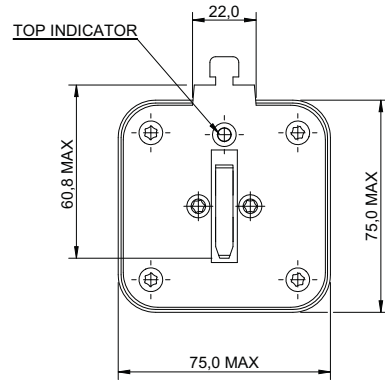
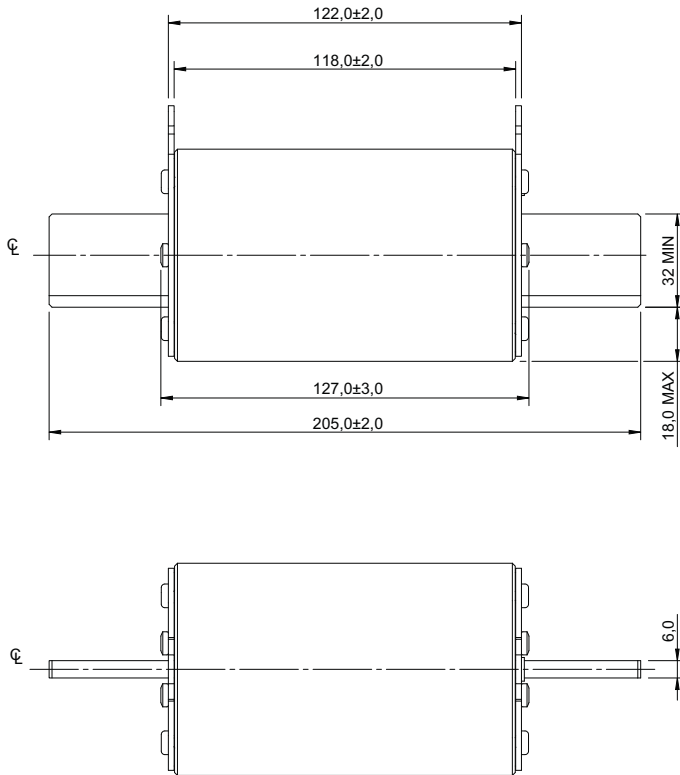
Packaging

- 1 in a pack

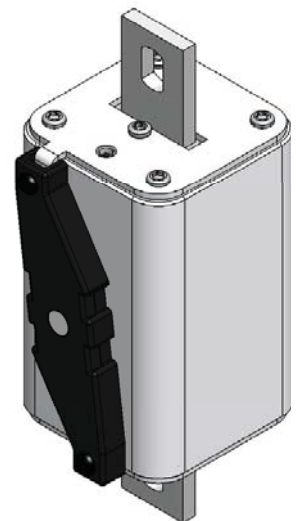
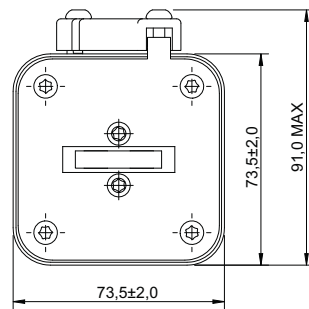
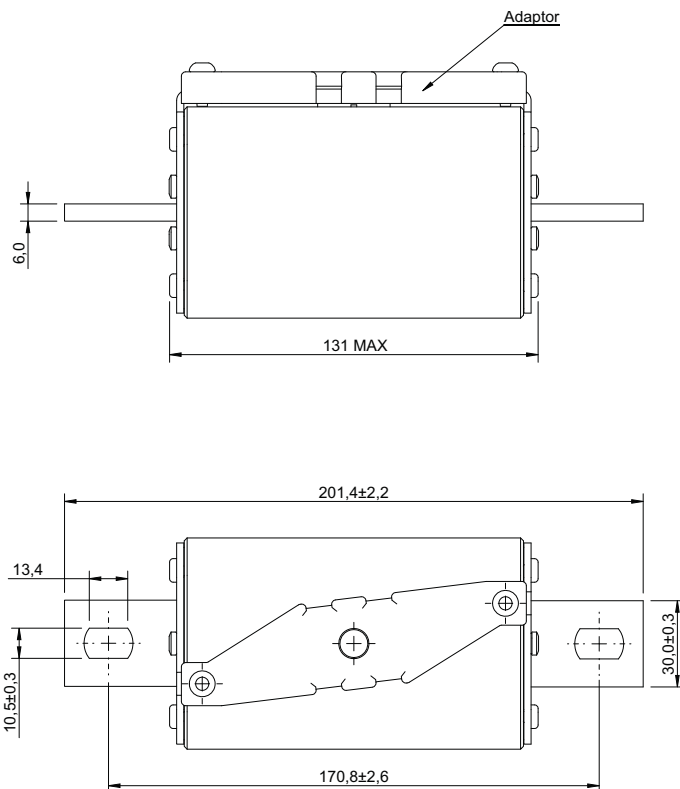
Technical data

Catalogue number with knife blade	Catalogue number with bolted blade	Fuse body size	Rated current (Amps)	Rated voltage (V d.c.)	Pre-arcing I²t	Total I²t @ 1500 V d.c.	Power loss at 0.7 x I _n (W)	Power loss at I _n (W)
BSF-250G-3XL15	BSF-250G-3XL15-B	3	250	1500	74,000	263,000	20	49
BSF-315G-3XL15	BSF-315G-3XL15-B	3	315	1500	150,000	533,000	21	52
BSF-355G-3XL15	BSF-355G-3XL15-B	3	355	1500	195,000	693,000	24	59
BSF-400G-3XL15	BSF-400G-3XL15-B	3	400	1500	296,000	1,060,000	24	61
BSF-450G-3XL15	BSF-450G-3XL15-B	3	450	1500	412,000	1,470,000	27	67
BSF-500G-3XL15	BSF-500G-3XL15-B	3	500	1500	532,000	1,890,000	29	73

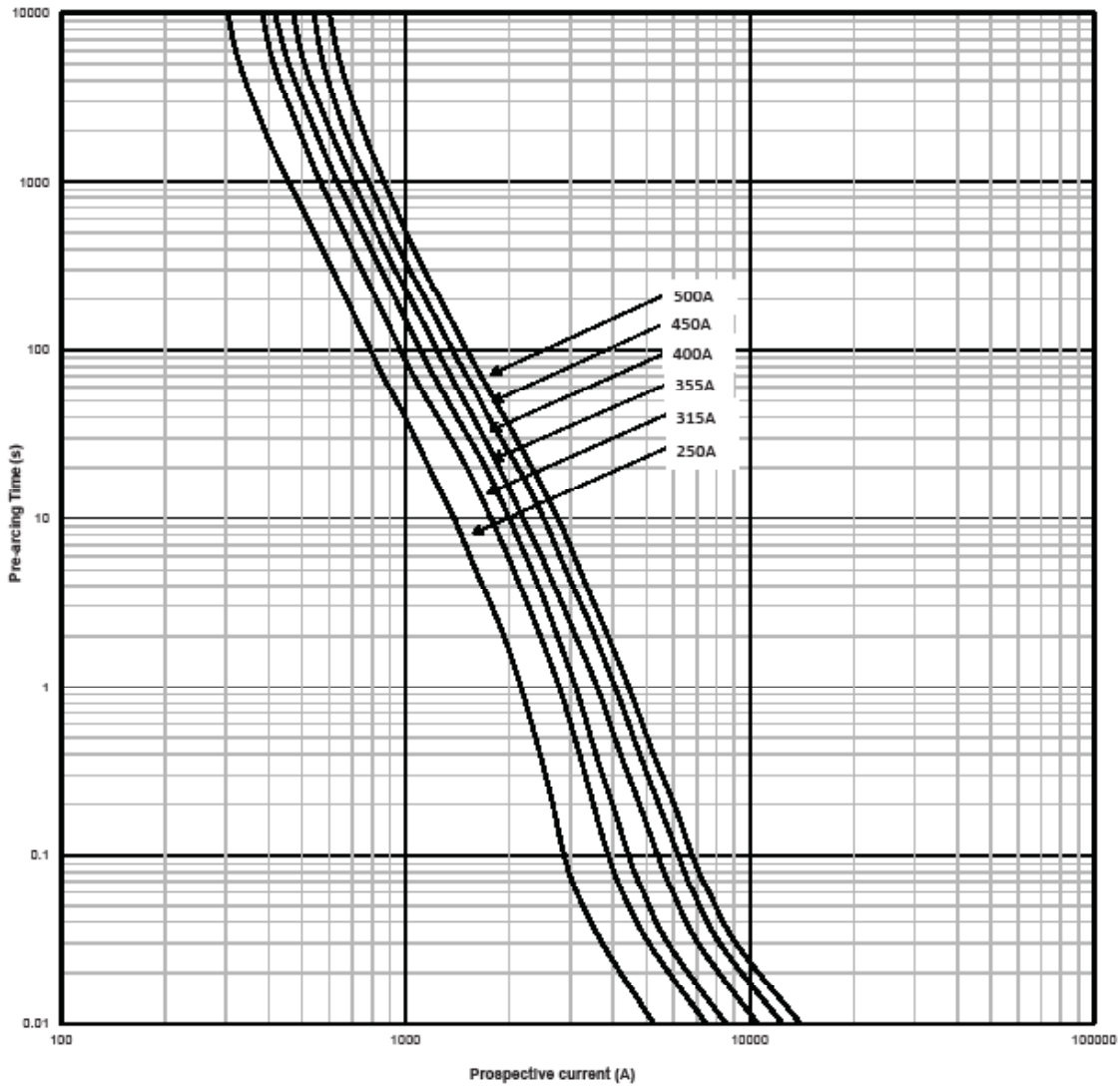
Dimensions mm - 3L Bladed



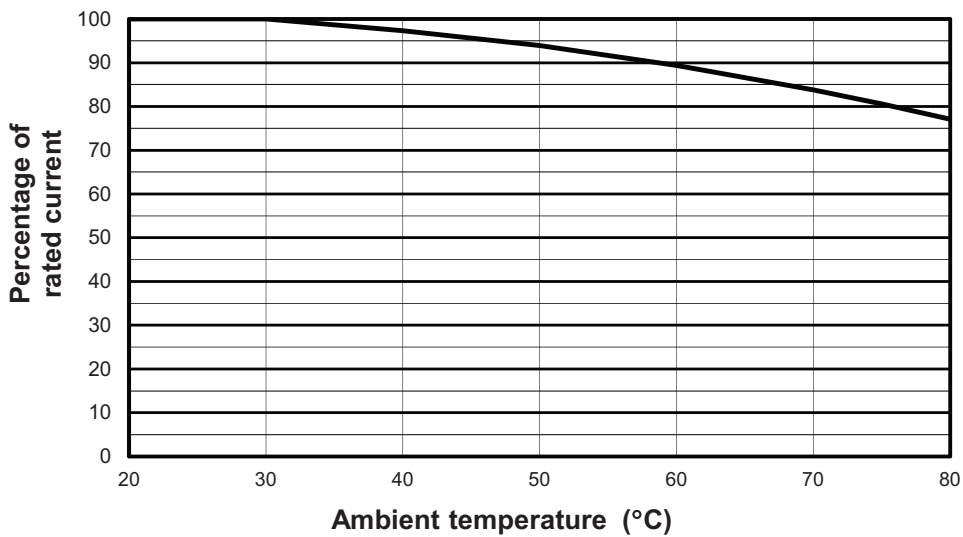
Dimensions mm - 3L Bolted



Time-current curve

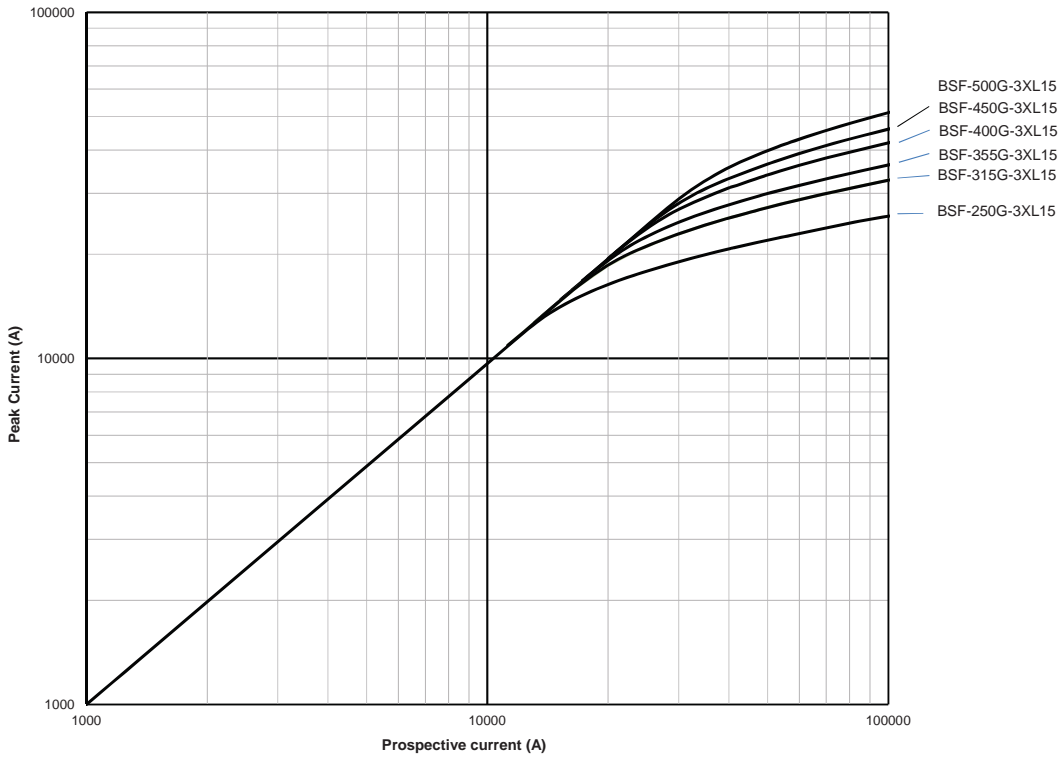


Temperature derating curve



(The ambient temperature is that local to the fuse link)

Peak let-through curve



The only controlled copy of this data sheet is the electronic read-only version located on the Eaton network drive. All other copies of this document are by definition uncontrolled. This bulletin is intended to clearly present comprehensive product data and provide technical information that will help the end user with design applications. Eaton reserves the right, without notice, to change design or construction of any products and to discontinue or limit distribution of any products. Eaton also reserves the right to change or update, without notice, any technical information contained in this bulletin. Once a product has been selected, it should be tested by the user in all possible applications.

Changes to the products, to the information contained in this document, and to prices are reserved; so are errors and omissions. Only order confirmations and technical documentation by Eaton is binding. Photos and pictures also do not warrant a specific layout or functionality. Their use in whatever form is subject to prior approval by Eaton. The same applies to Trademarks (especially Eaton, Moeller, and Cutler-Hammer). The Terms and Conditions of Eaton apply, as referenced on Eaton Internet pages and Eaton order confirmations.

Eaton
EMEA Headquarters
Route de la Longeraie 7
1110 Morges, Switzerland

Electrical Sector
Eaton Electrical Products Limited
Unit 1, Hawker Business Park
Melton Road, Burton-on-the-Wolds
LE12 5TH, UK
Eaton.com

© 2020 Eaton
All Rights Reserved
PDF Only
Publication No. 135002
June 2020