



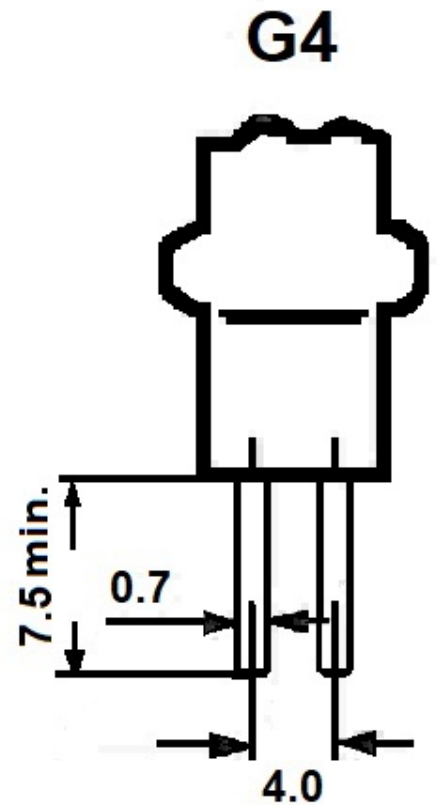
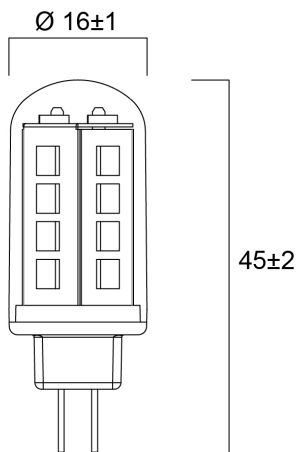
Features

- LED retrofit replacement for halogen G4 low voltage capsules Compact design Omni-directional light distribution 12V AC/DC 200lm = 20W halogen G4 lamp High lumen efficacy: 116lm/W 90% energy saving Non-dimmable Suitable for chandeliers, interior display, shop windows, decorative and general lighting applications

Product Overview

Product name	ToLEDo G4 220LM 865 SL
Technology	LED
Watt (Rated) (W)	1.9
Fixture rating	Open
E-number FI	4741128
Colour temperature (K)	6500
CRI (Ra)	80
Colour Variation Initial (SDCM)	6
Photobiological Risk Group	RG1
Wattage (W)	1.9
Product EAN number	5410288296579
Warranty	3 years

Technical drawings



Data table

GENERAL DATA

Product name	ToLEDo G4 220LM 865 SL
Technology	LED
Watt (Rated) (W)	1.9
Fixture rating	Open
Operating temperature range (°C)	-20°C...+40°C
Performance ambient temperature Tq (°C)	25

ToLEDo G4 220LM 865 SL 0029657

E-number FI	4741128
Warranty	3 years

OPTICAL DATA

Luminous flux (Rated) (lm)	220
Colour temperature (K)	6500
CRI (Ra)	80
Colour Variation Initial (SDCM)	6
Photobiological Risk Group	RG1
Lumen maintenance at end of nominal life (%)	70

ELECTRICAL DATA

Wattage (W)	1.9
Equivalent watt (W)	20
Primary Supply/Product voltage - min (V)	12
Control gear required	No
Inrush Current (A)	4.2
Inrush Duration (μ s)	1700
Lamp Energy Label (class)	F

LIFETIME DATA

Lifespan L70 B50	15000
Average life (Rated) (h)	15000

PHYSICAL DATA

Nominal Product Length (mm)	45
Nominal Product Diameter (mm)	16
Weight (kg)	0.008

PACKAGING

Single packaging type	Carton
Product EAN number	5410288296579

ToLEDo G4 220LM 865 SL
0029657

Packaging single width (cm)	5.1
Packaging single depth (cm)	8.2
DUN14 (outer)	15410288296576
Packaging outer length / height (cm)	19.7

SAFETY DATA

Optimal operating condition (°C)	-20-40
Breakage cleaning instructions	Not applicable
Special purpose lamp	No
Dry applications use only	No
Suitable for household illumination	No
Safety message	Suitable for approved transf./dimmers

SYLVANIA

ToLEDo G4 220LM 865 SL
0029657

Energy label



0029657



2
kWh/1000h



2019/2015



0029657



2
kWh/1000h



2019/2015