

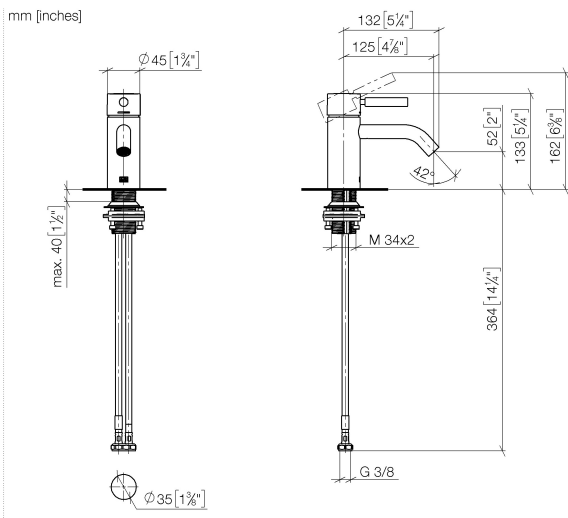
33 526 660 Product version up to 1/23/2020



- 125mm projection
- fixed spout
- circular, air-enriched flow
- height of mixer 133 mm
- height up to aerator 52 mm
- hole diameter 35 mm
- 2x screw-in M 8 x 1 pressure hose, leak-tested
- max. flow 5.7 l/min
- lead-free
- This product can help a building meet the requirements of Green Building Rating Systems, e.g. LEED®, BREEAM®, DGNB
- WRAS

	Matte Black	33 526 660-33
	Chrome	33 526 660-00
	Brushed Platinum	33 526 660-06
	Dark Chrome	33 526 660-19
	Light Gold (PVD)	33 526 660-26
	Brushed Light Gold (PVD)	33 526 660-27
	Brushed Gold (PVD)	33 526 660-37
	Brushed Dark Brass (PVD)	33 526 660-39
	Brushed Bronze (PVD)	33 526 660-42
	Brushed Dark Bronze (PVD)	33 526 660-43
	Brushed Chrome	33 526 660-93
	Brushed Dark Platinum	33 526 660-99

33 526 660 Product version up to 1/23/2020



Flow rate chart



Codes & Standards

DIN 4109

ISO 3822

Scottish Water
Byelaws

UK Water Supply
Regulations

Ü-Zeichen



META Single-lever basin mixer without pop-up waste - Matte Black

META

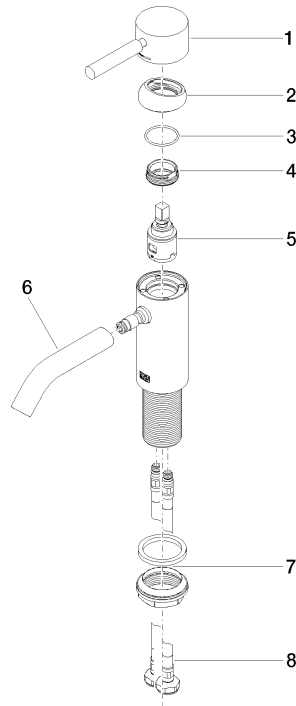
33 526 660 Product version up to 1/23/2020

Certificates and sustainability

LGA_29	EPD-DOR-20230287 WRAS_251102 -IBA1-EN Environmental.prod uct-declarat
--------	--

33 526 660 Product version up to 1/23/2020

Parts for other finishes can be found here: [Chrome](#)



Spare parts list

No.	Item Number	Name	Quantity used	Delivery time
5	90 15 05 042 00 90	Cartridge Ø 25 x 52 mm -	1.00	14
6	90 11 06 206 00-33	Spout 90 x 145 x 35 mm - Matte Black	1.00	40
1	90 20 66 002 00-33	Handle for washstand deck mounting Lever 52 x 35 x 117 mm - Matte Black	1.00	40
7	04 23 10 044 07 90	Attachment set with seals M34 x 1 -	1.00	14
4	09 24 04 266 90	Mounting Ø 28 x 10,8 mm -	1.00	14
3	09 14 10 091 90	O-Ring NBR 70 26,5 x 1,72 mm -	1.00	14
2	09 28 30 041-33	Cover Ø 50 x 76,8 mm - Matte Black	1.00	40
8	04 30 04 100 00 90	High pressure hose M8x1 x 3/8" x 420 mm -	2.00	14