

MEM Three-hole single-lever bath mixer for bath rim or tile edge installation - Brushed Dark Platinum

MEM

27 412 782 Product version from 4/1/2025



- 220mm projection
- spout: rectangular normal flow
- max. flow 20.4 l/min at 3 bar flow pressure
- Hand shower: COMPACT RAIN, max. flow rate 6.8 l/min (at 3 bar)
- complete hand shower set with anti-scale system
- automatic bath/shower diverter
- height of mixer 300 mm
- height up to aerator 170 mm
- hole diameter spout 32 mm
- single-lever mixer hole diameter 35 mm
- hole diameter for complete hand shower set 32 mm
- rosette for mixer 60 x 60mm
- rosette for spout 60 x 60mm
- rosette for complete hand shower set 60 x 60mm
- metal shower hose 2250mm with integrated anti-twist protection

Intrinsic protection against back flow.

	Brushed Dark Platinum	27 412 782-99
	Chrome	27 412 782-00
	Brushed Platinum	27 412 782-06
	Platinum	27 412 782-08
	Dark Chrome	27 412 782-19
	Brushed Light Gold (PVD)	27 412 782-27
	Brushed Durabronze (23kt Gold)	27 412 782-28
	Brushed Dark Brass (PVD)	27 412 782-39
	Brushed Bronze (PVD)	27 412 782-42
	Brushed Dark Bronze (PVD)	27 412 782-43
	Brushed Champagne (22kt Gold)	27 412 782-46
	Champagne (22kt Gold)	27 412 782-47

Recommended miscellaneous



Perfecto installation kit -

12 614 970 90

Recommended miscellaneous



**Decorative caps for Perfecto -
Brushed Dark Platinum**

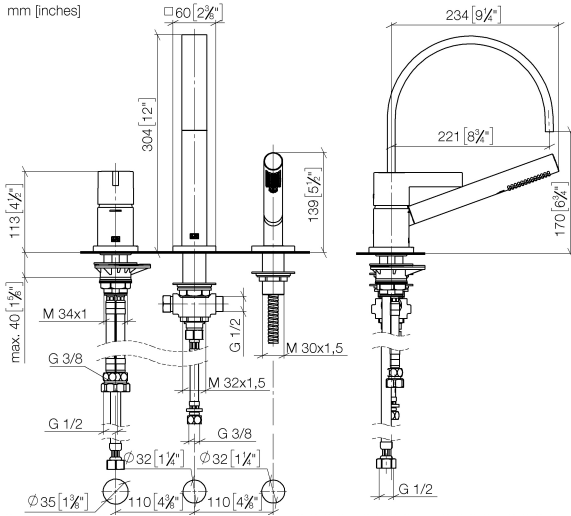
12 801 970-99

- 1 pair

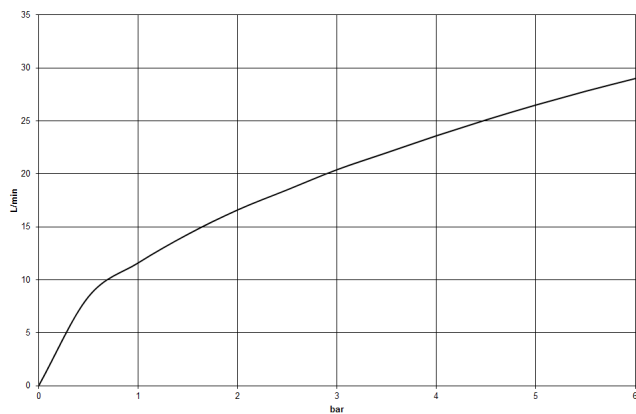
**MEM Three-hole single-lever bath mixer for bath rim or tile edge installation -
Brushed Dark Platinum**

MEM

27 412 782 Product version from 4/1/2025
mm [inches]



Flow rate chart



Codes & Standards

ASME A112.18.1 cUPC DIN 4109 EN 1717

ISO 3822 Ü-Zeichen



MEM Three-hole single-lever bath mixer for bath rim or tile edge installation -
Brushed Dark Platinum

MEM

27 412 782 Product version from 4/1/2025

Certificates and sustainability

IAPMO_4976

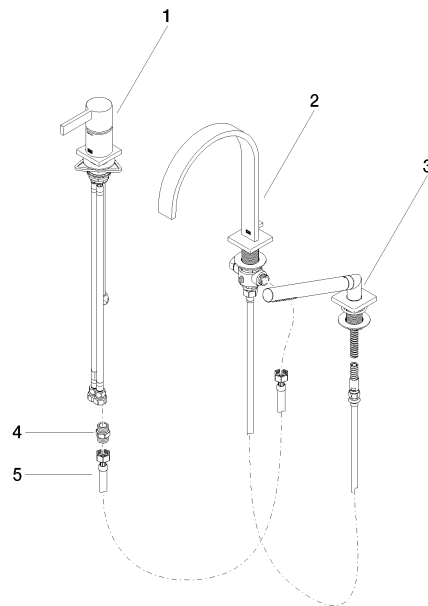
Belgaqua_24-008-2 LGA_29

EPD-DOR-20230287
-IBA1-EN
Environmental.prod
uct-declarat

**MEM Three-hole single-lever bath mixer for bath rim or tile edge installation -
Brushed Dark Platinum**

MEM

27 412 782 Product version from 4/1/2025



Spare parts list

No.	Item Number	Name	Quantity used	Delivery time
4	90 24 03 168 00 90	Nipple 1/2" x 1/2" -	1.00	14
5	12 502 970 90	High pressure hose 1/2" x 1/2" x 400 mm -	1.00	14
3	27 702 980-99	Hand shower set for bath rim or tile edge installation - Brushed Dark Platinum	1.00	40
1	29 300 670-99	Single-lever bath mixer for bath rim or tile edge installation - Brushed Dark Platinum	1.00	40
2	90 28 22 268 00-99	Bath spout with diverter for deck mounting - Brushed Dark Platinum	1.00	40