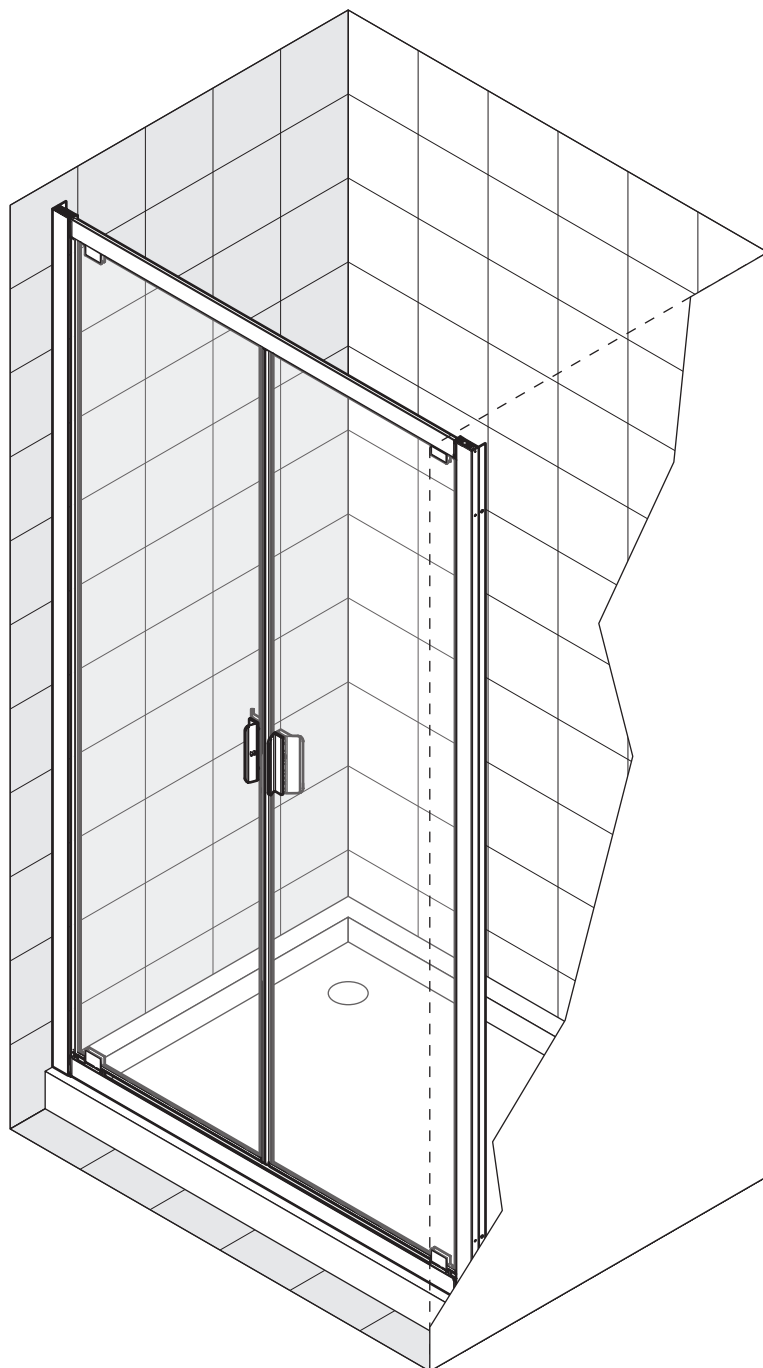
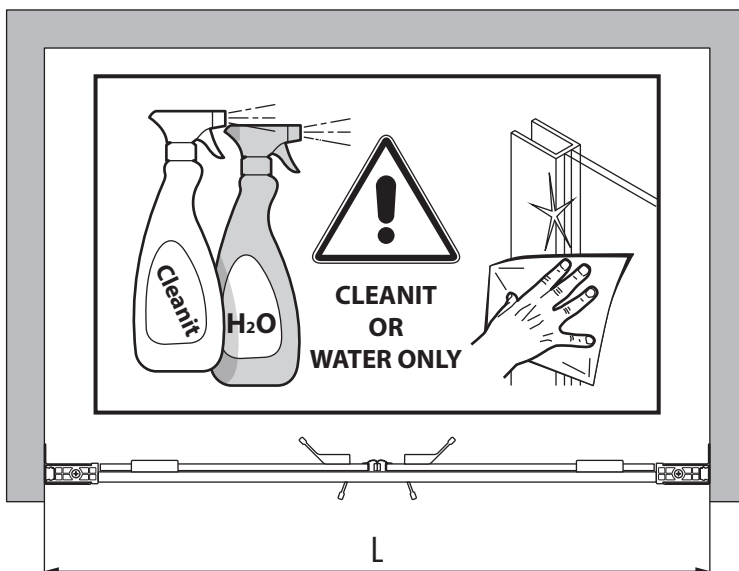
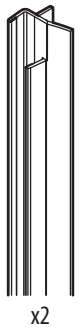
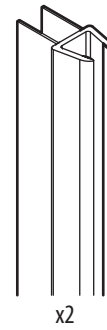
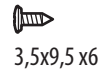
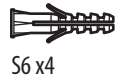
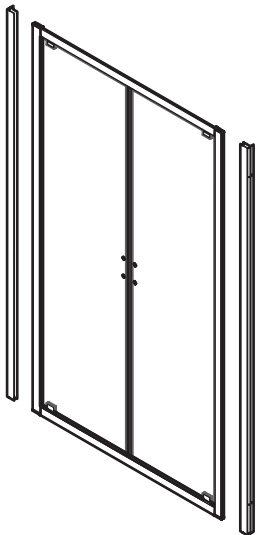
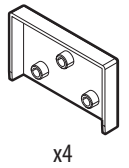
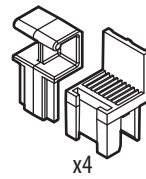
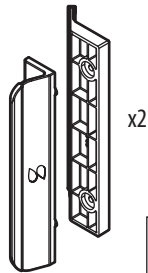
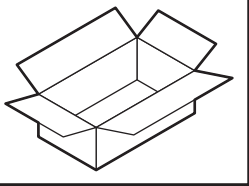
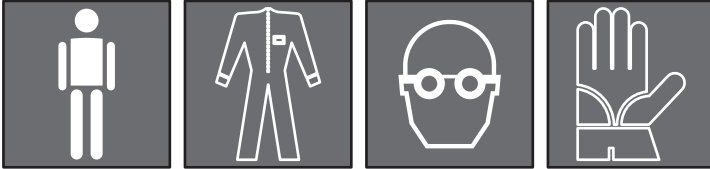
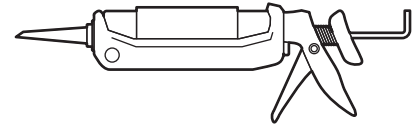
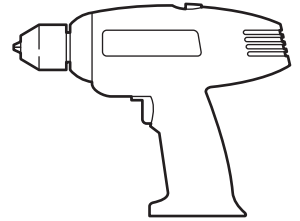
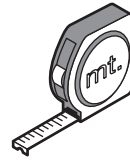
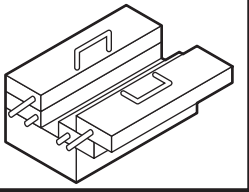


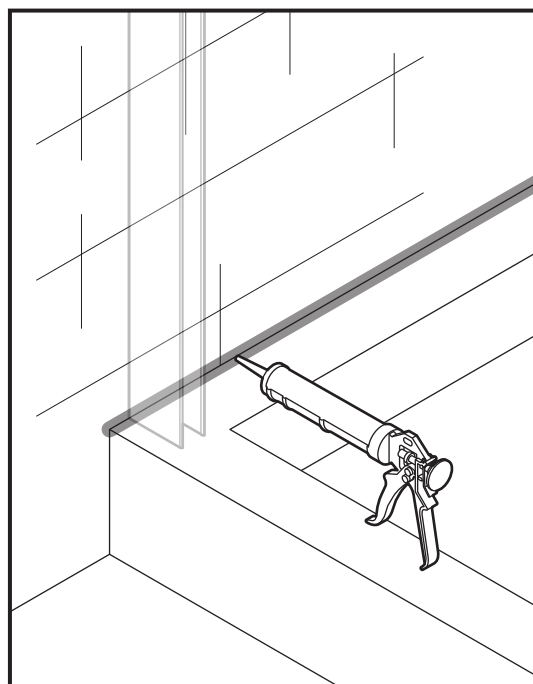
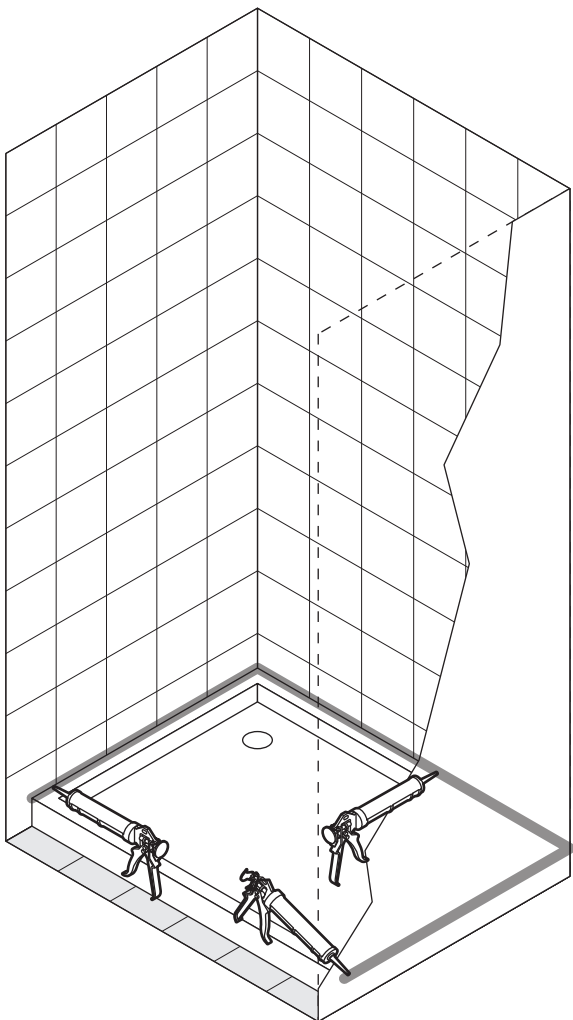
B



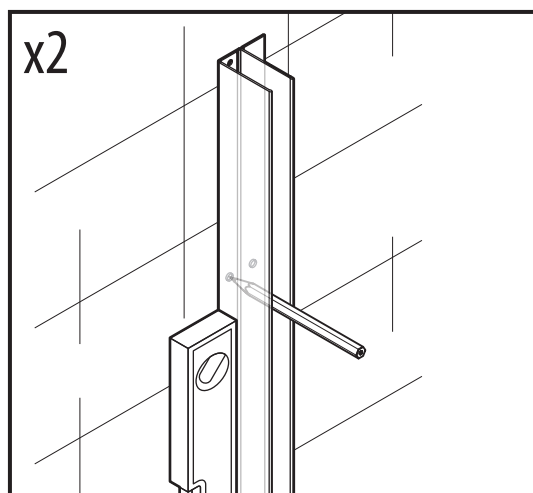
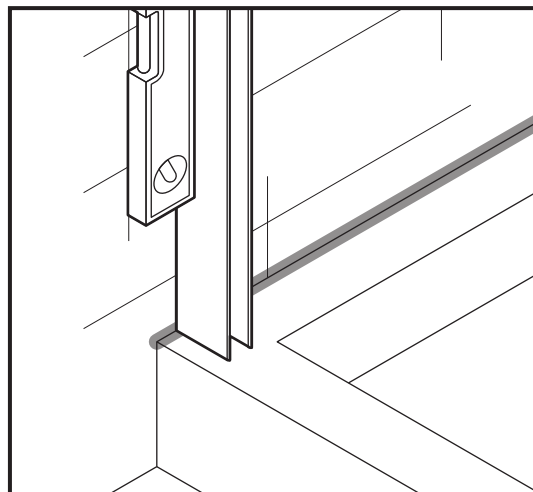
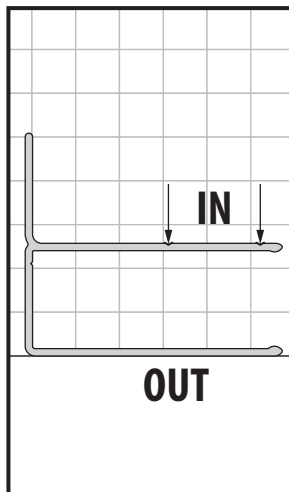
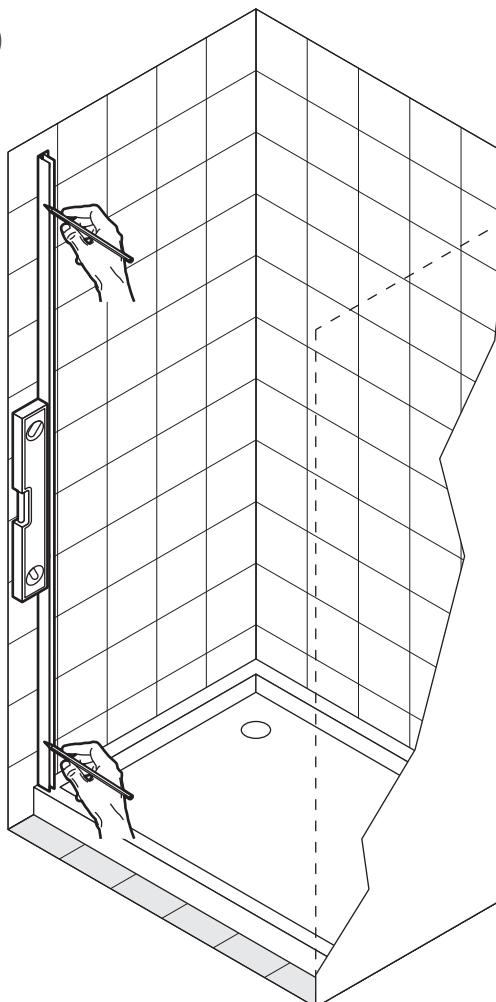


B 60	L=600-660 mm
B 66	L=660-720 mm
B 72	L=720-780 mm
B 78	L=780-840 mm
B 84	L=840-900 mm
B 90	L=900-960 mm
B 96	L=960-1020 mm
B 102	L=1020-1080 mm
B 108	L=1080-1140 mm
B 114	L=1140-1200 mm

1

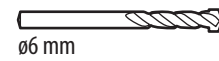
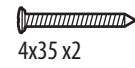
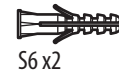
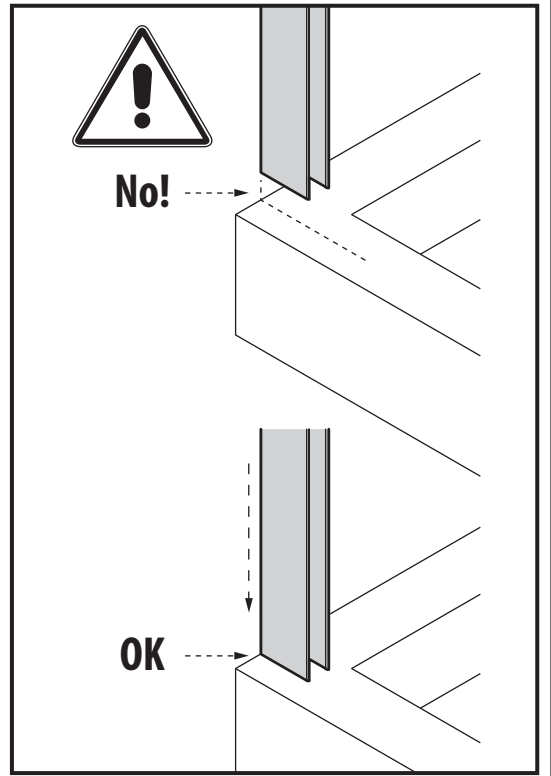
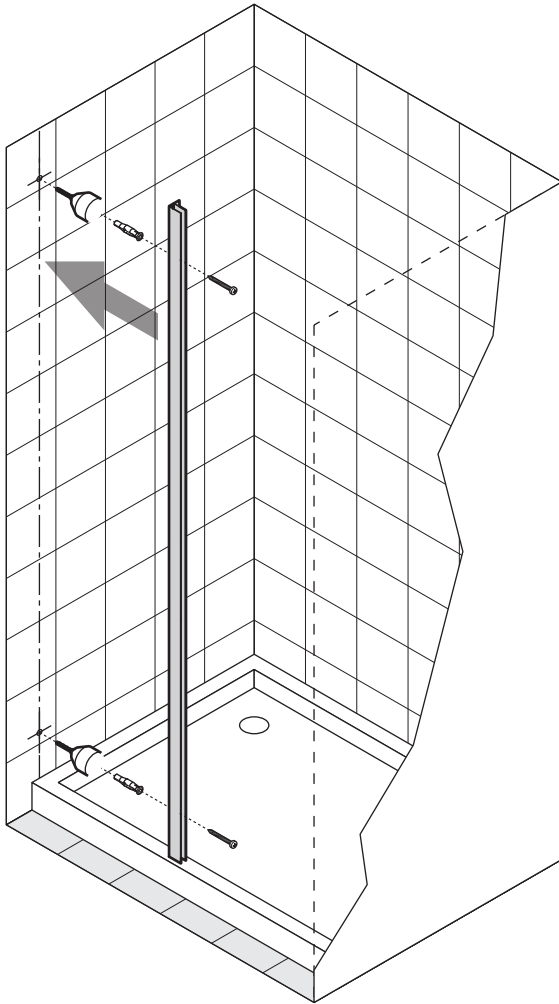


2

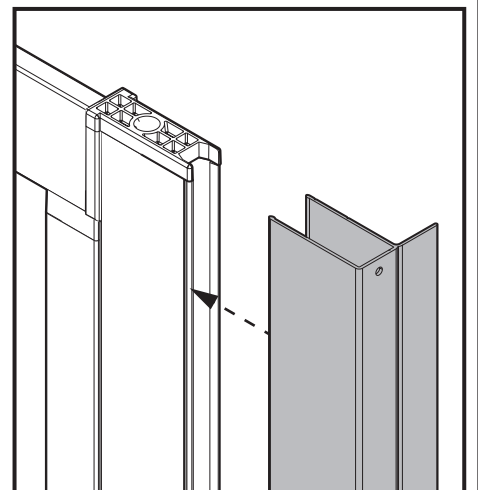
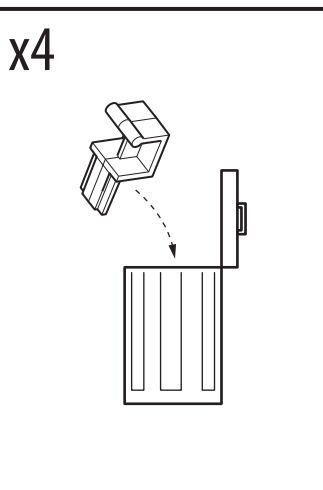
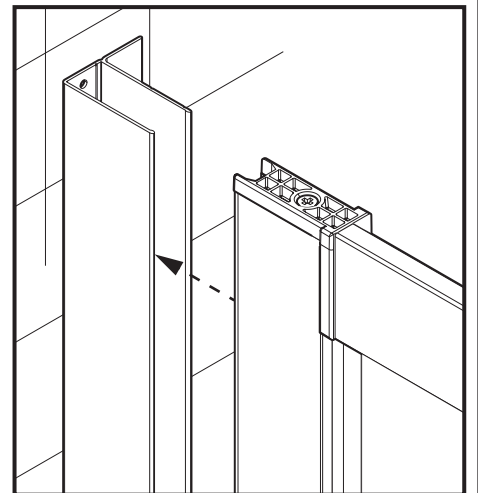
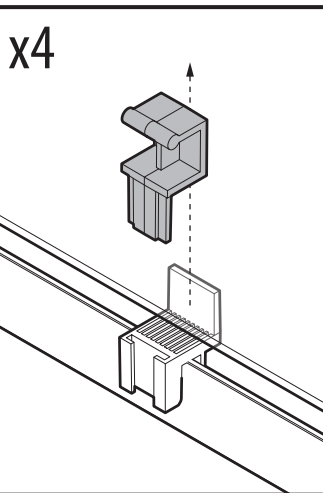
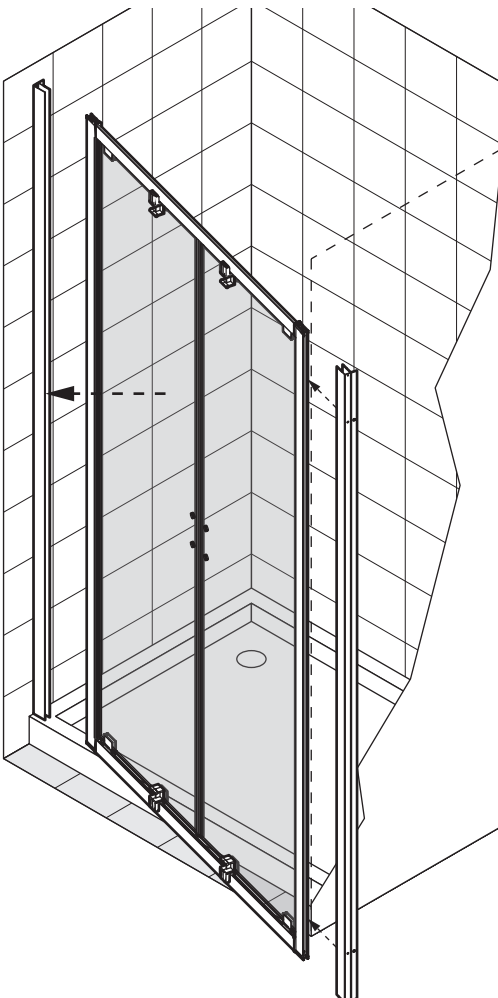


3

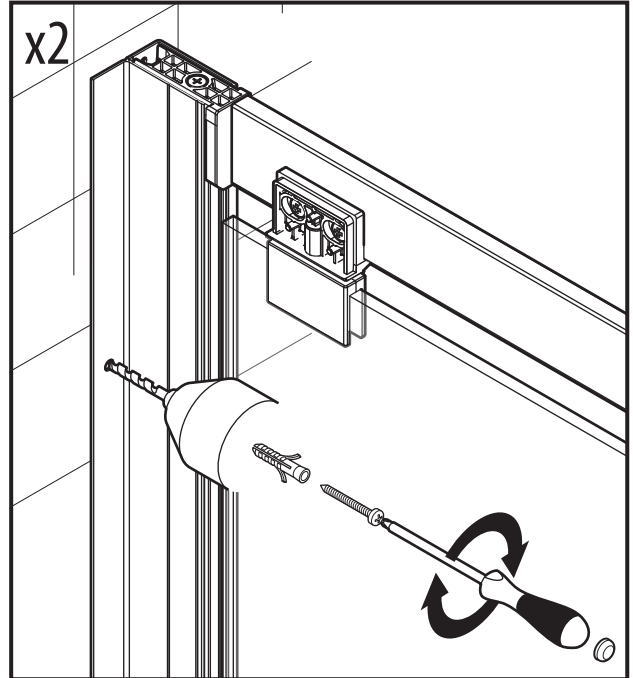
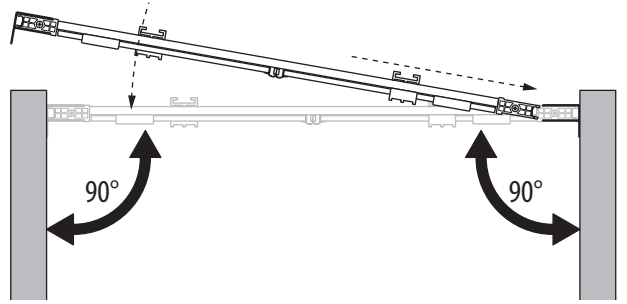
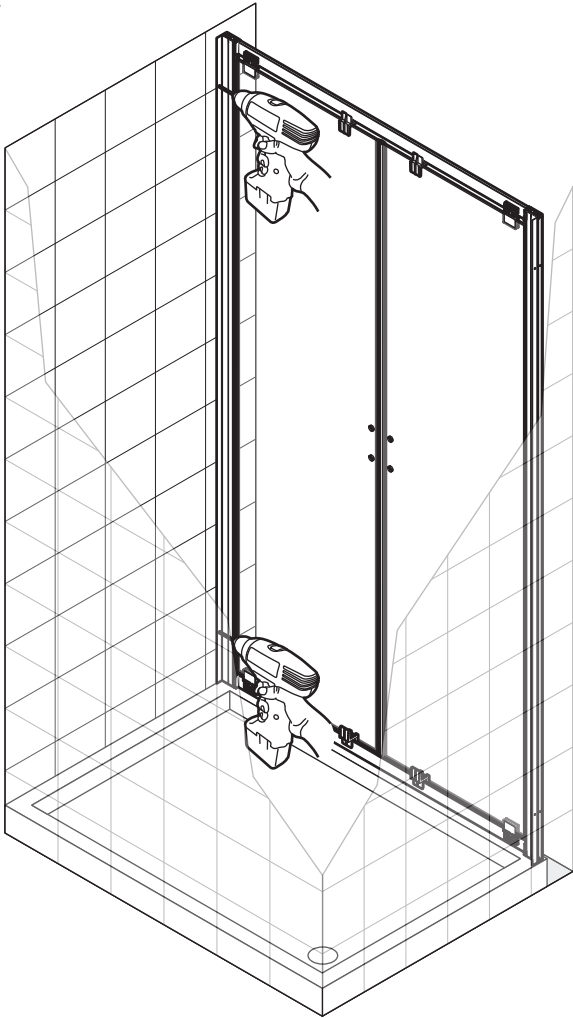
3



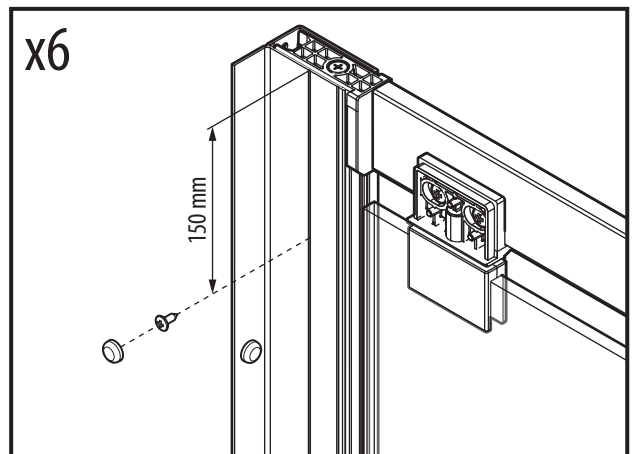
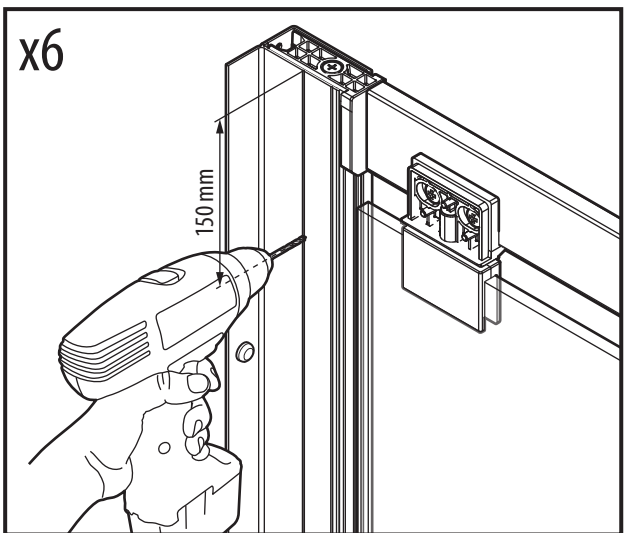
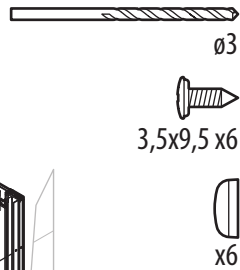
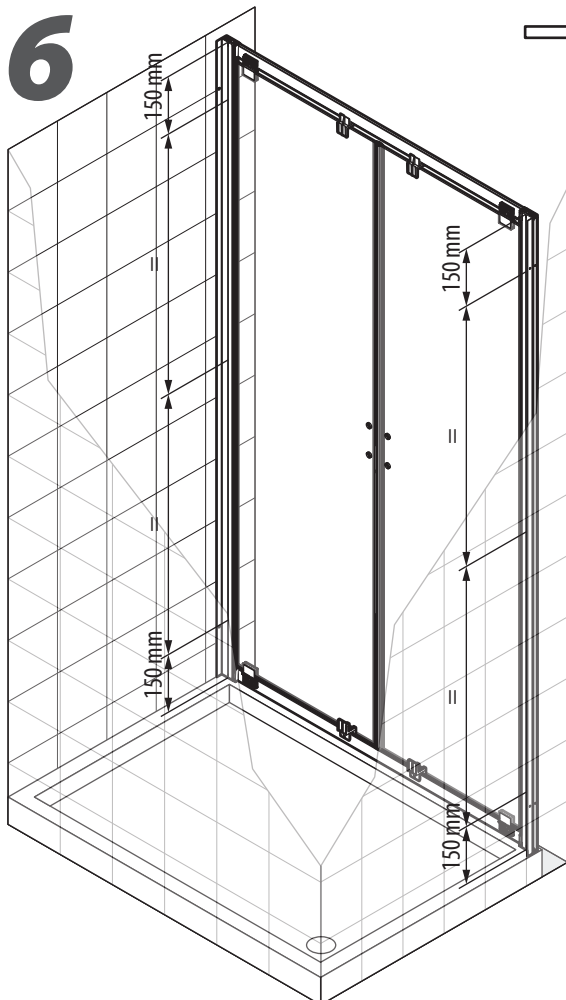
4



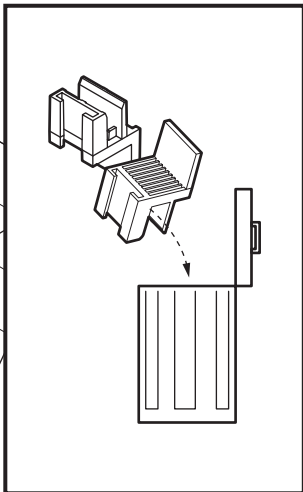
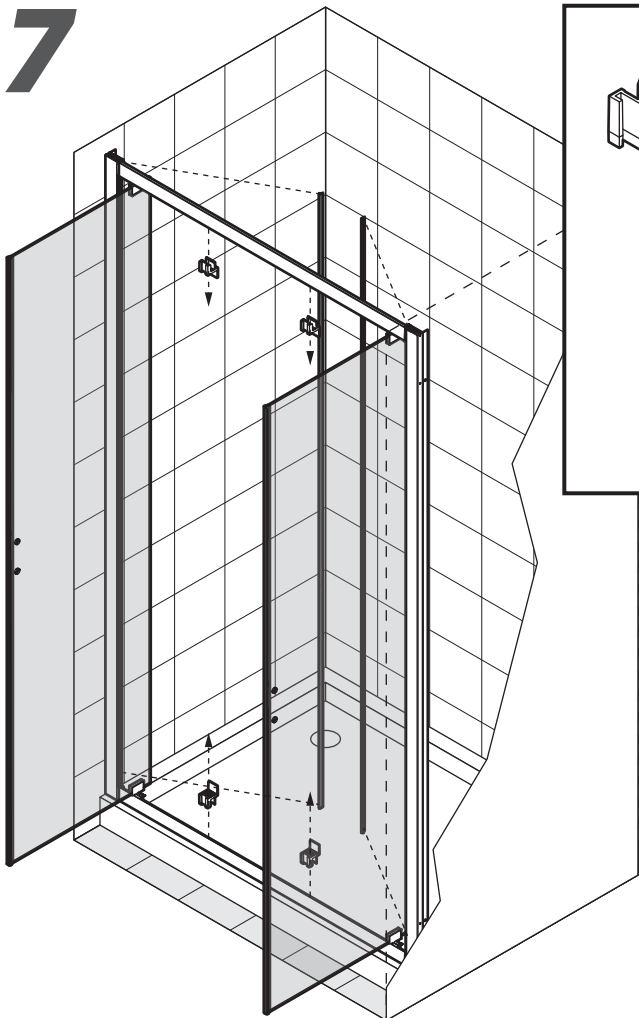
5



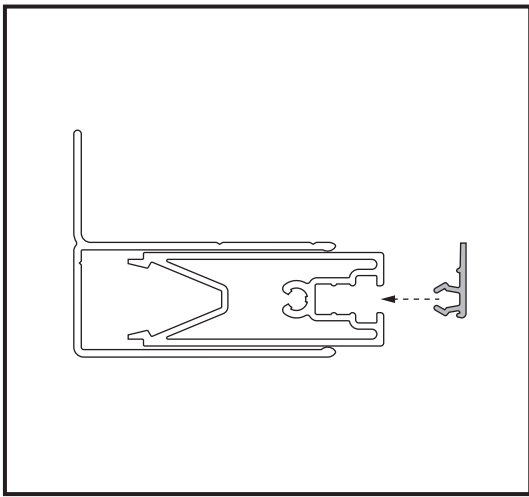
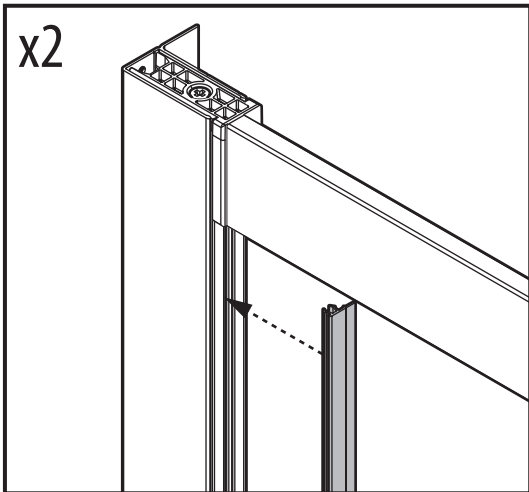
6



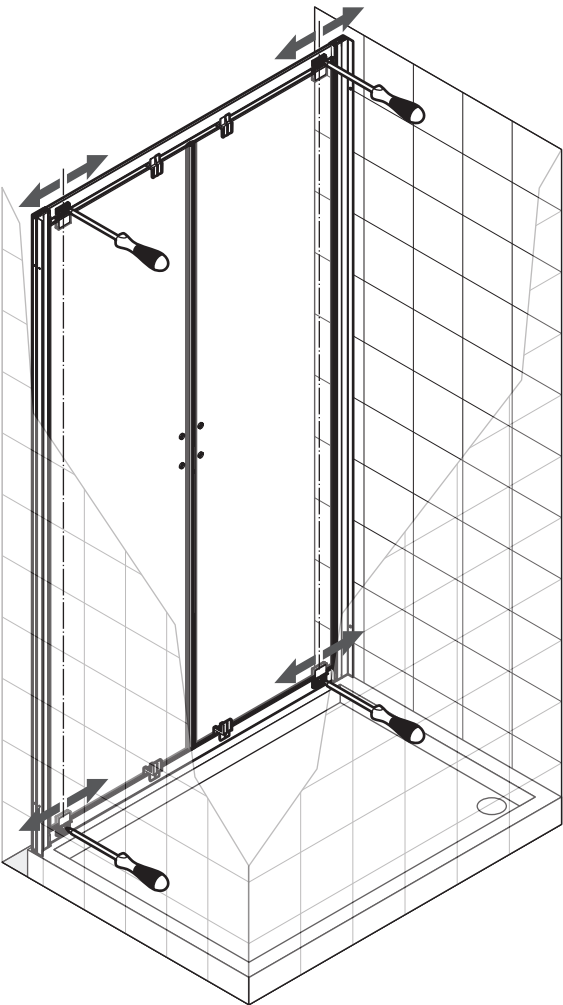
7



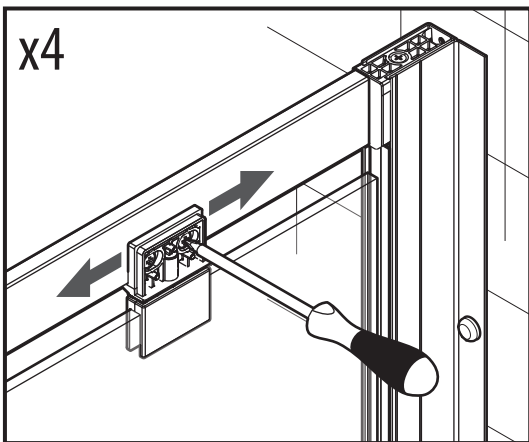
x2



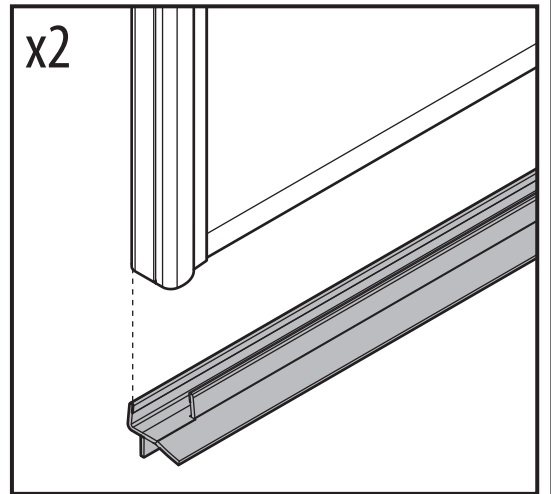
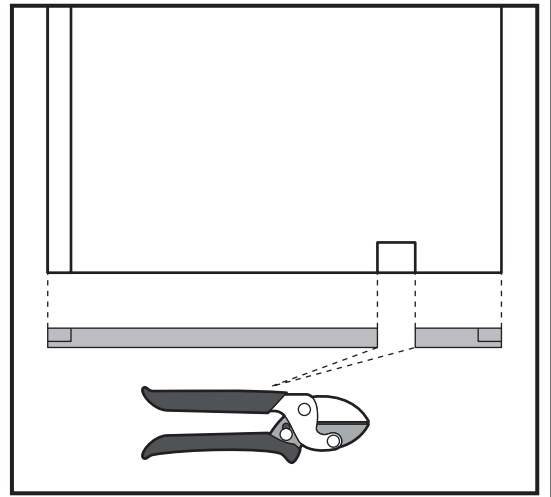
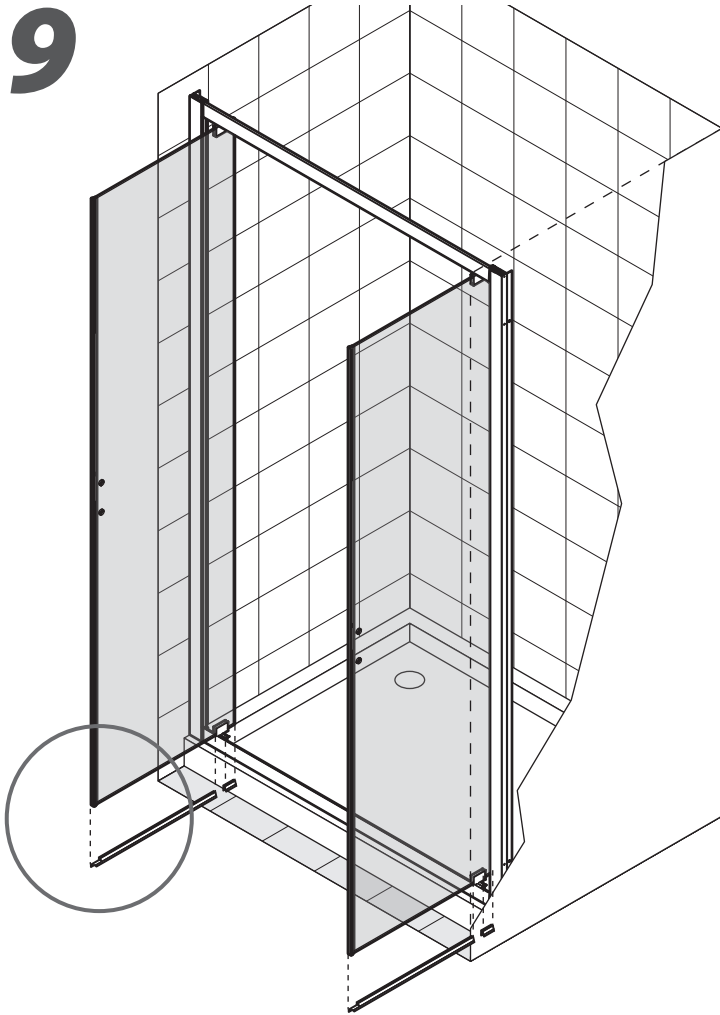
8



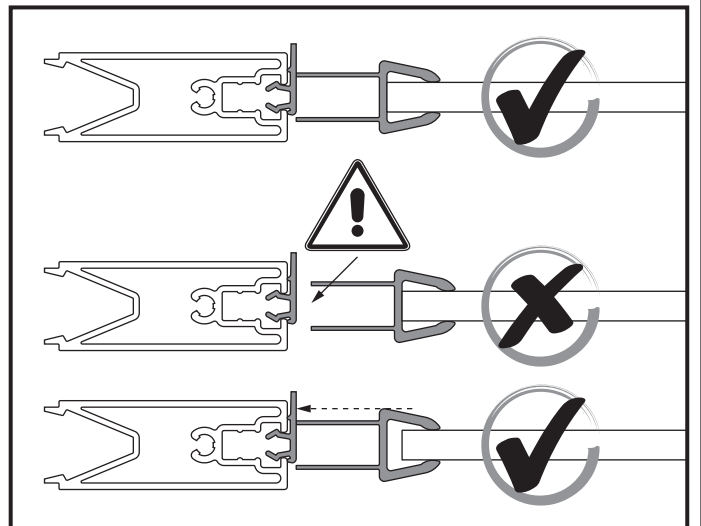
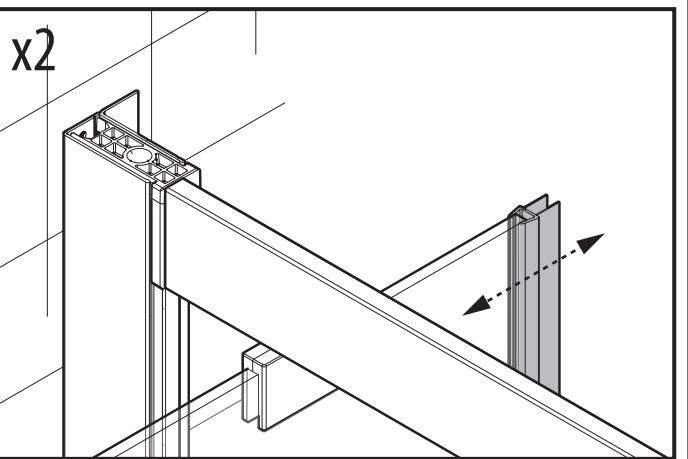
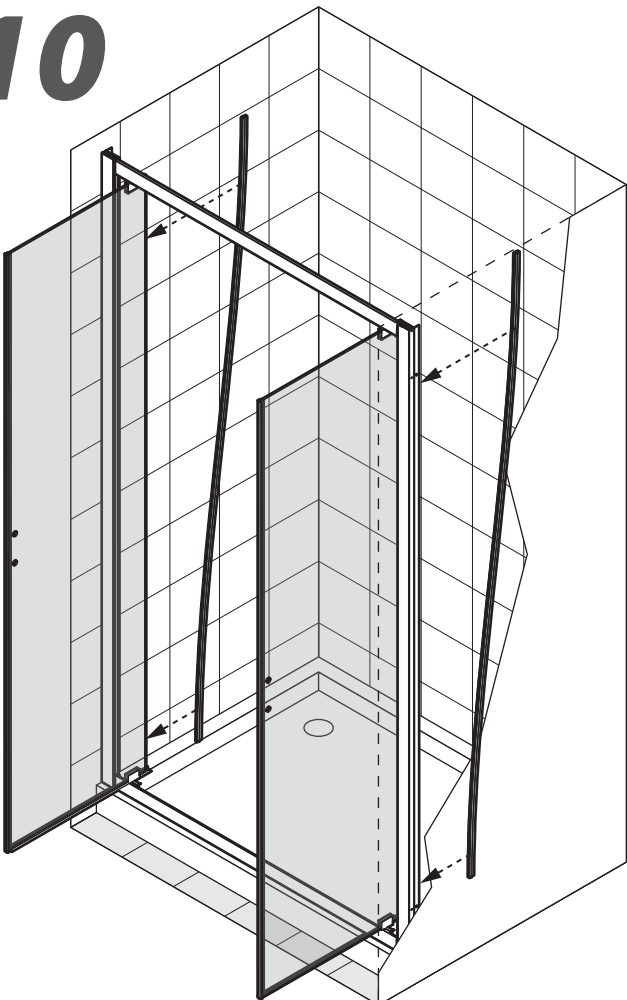
x4



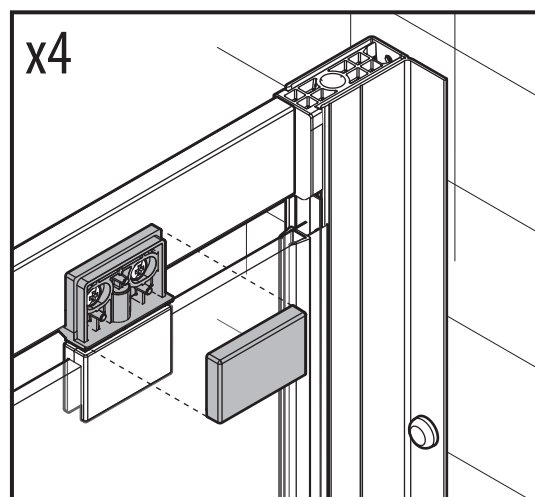
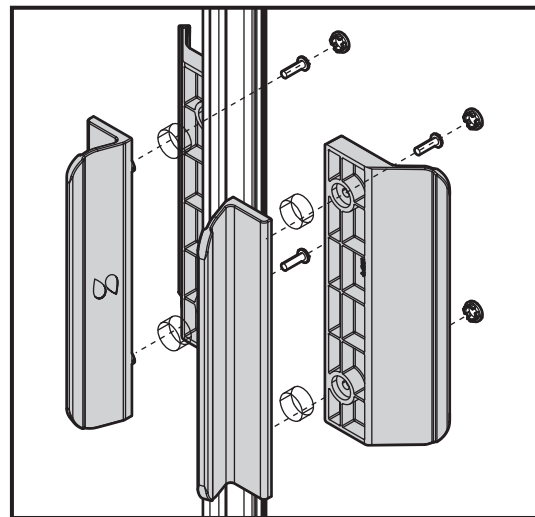
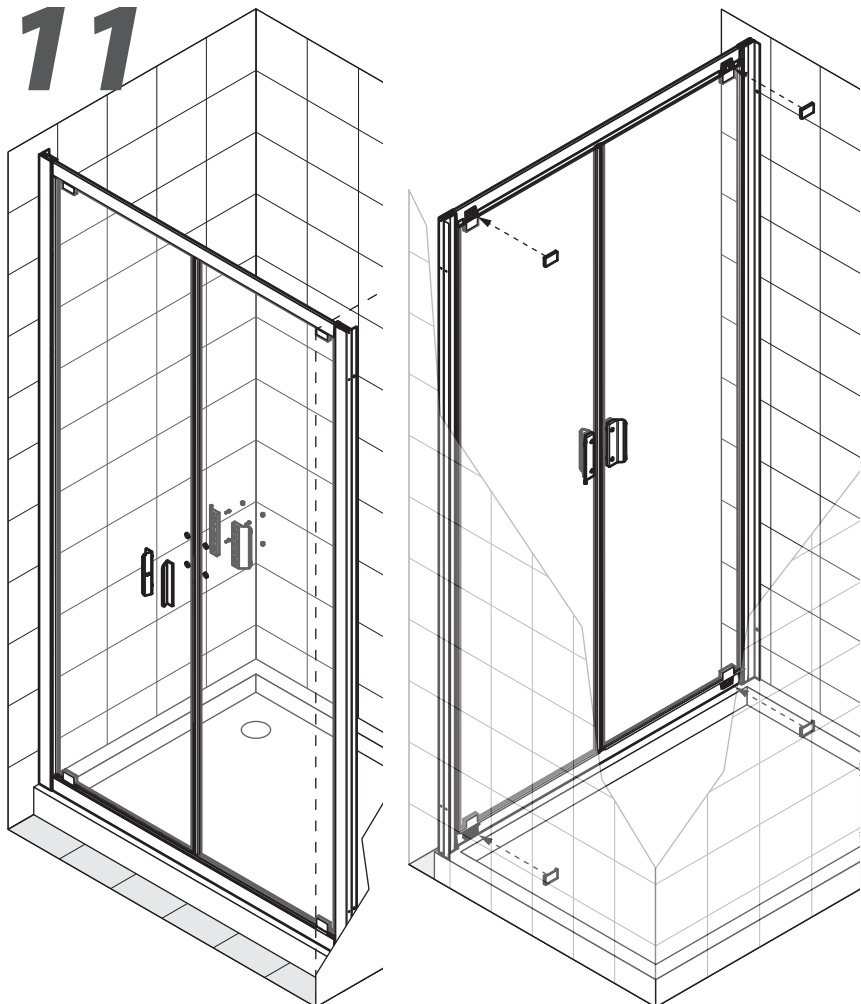
9



10



11



12

