



**CL.1 Deck valve clockwise closing cold - Brushed Dark Platinum**

CL.1

20 000 705 Product version from 3/9/2015

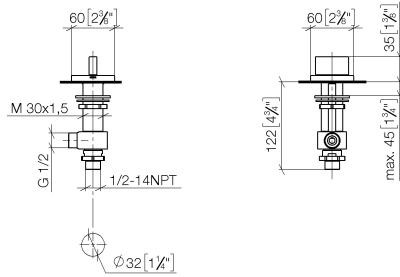
- hole diameter valve 32 mm
- rosette 60 x 60 mm
- with cold marking
- WRAS



	Brushed Dark Platinum	20 000 705-99
	Chrome	20 000 705-00
	Brushed Platinum	20 000 705-06
	Dark Chrome	20 000 705-19
	Brushed Light Gold (PVD)	20 000 705-27
	Brushed Champagne (22kt Gold)	20 000 705-46
	Champagne (22kt Gold)	20 000 705-47

20 000 705 Product version from 3/9/2015

mm [inches]



**Flow rate chart**



**Codes & Standards**

ASME A112.18.1	cUPC	DIN 4109	ISO 3822
Scottish Water Byelaws	UK Water Supply Regulations	Ü-Zeichen	



## CL.1 Deck valve clockwise closing cold - Brushed Dark Platinum

CL.1

20 000 705 Product version from 3/9/2015

### Certificates and sustainability

IAPMO\_4976

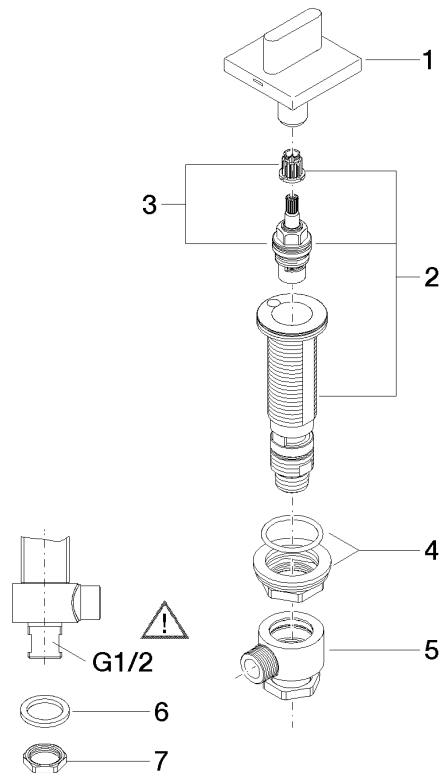
LGA\_28

WRAS\_2103

EPD-DOR-20230287  
-IBA1-EN  
Environmental.prod  
uct-declarat

20 000 705 Product version from 3/9/2015

Parts for other finishes can be found here: [Chrome](#)



### Spare parts list

No.	Item Number	Name	Quantity used	Delivery time
5	04 17 11 023 10 90	Connection Distributor, complete 1/2" -	1.00	14
2	04 17 11 058 33 90	Side piece clockwise closing, G 1/2, 180° -	1.00	14
3	90 90 03 133 00 90	Head part clockwise closing extended, 7mm 1/2" -	1.00	14
6	90 23 30 040 00-99	Union piece - Brushed Dark Platinum	1.00	40
7	09 30 11 059 90	Disc -	1.00	14
4	04 23 10 032 78 90	Mounting with seals M30 x 1,5 -	1.00	14
1	90 20 70 051 04-99	Handle for bath Cold oval pure 60 x 60 x 40 mm - Brushed Dark Platinum	1.00	40
8	09 23 10 012 90	Mounting Nut SW 24 1/2" -	1.00	14