



Features

- Exterior LED Floodlight, comes complete with 1000mm flying lead and adjustable bracket, aluminium housing, clear glass diffuser, integrated anti-condensation valve, IP66, IK08, Class I, 3000K, CRI80, Non-dimmable, 3300lm, 23W, 143lm/W, Symmetrical Wide beam, 100.000hrs L80B50 lifespan, 331 x 237 x 68mm (LxWxD) dimensions, 2.3kg weight, RAL9017 Traffic Black color, Ball-impact-resistance according to DIN57710-13 VDE 0710 13/5.81, DIN 18032-3.

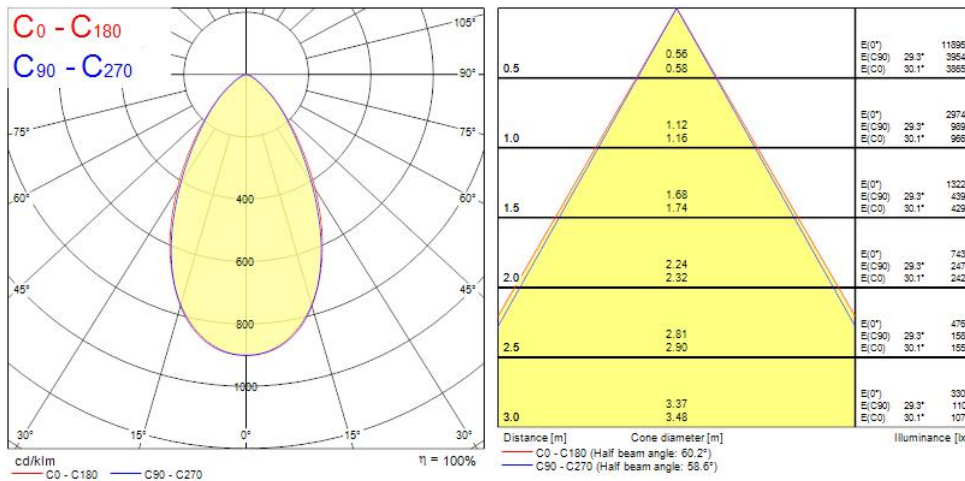
Product Overview

Product name	Kalani IP66 3KLM 830 WB
Technology	LED
Cap/Base	N/A
Housing	Aluminium
Mount	Other
General application	Logistics & Industry
ETIM Class	EC001744
E-number FI	4579643
Fixture luminous flux (lm)	3300
Luminaire efficacy (lm/W)	143
Correlated colour temperature (k)	3000
Light colour	Warm White
CRI (Ra)	80
Colour Variation Initial (SDCM)	3
Beam Angle (°)	60
Photobiological Risk Group	RG1
Total power consumption (W)	23
Electrical protection	Class I
Control gear type	LED driver constant current

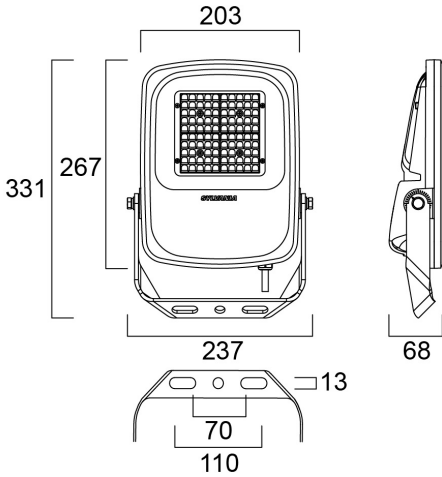
Kalani IP66 3KLM 830 WB 0056800

Dimmable	No
LED Flickering Rate	Low (6% - 20%)
Housing colour	RAL9017
IP rating	IP66
IK rating	IK08
Product EAN number	5410288568003
Warranty	5 years
Dimming method	N/A

Photometry



Technical drawings



Data table

GENERAL DATA

Product name	Kalani IP66 3KLM 830 WB
Technology	LED
Cap/Base	N/A
Housing	Aluminium
Mount	Other
General application	Logistics & Industry
Operating temperature range (°C)	-30°C...+50°C
ETIM Class	EC001744
E-number FI	4579643
Warranty	5 years

OPTICAL DATA

Fixture luminous flux (lm)	3300
Luminaire efficacy (lm/W)	143
Correlated colour temperature (k)	3000
Light colour	Warm White

Kalani IP66 3KLM 830 WB 0056800

CRI (Ra)	80
Colour Variation Initial (SDCM)	3
Beam Angle (°)	60
Distribution type	Symmetric
Photobiological Risk Group	RG1

ELECTRICAL DATA

Total power consumption (W)	23
Current (A)	0.100
Primary Supply/Product voltage - min (V)	220.0
Primary Supply/Product voltage - max (V)	240.0
Lamp power factor	0.95
THD (at 230 V, 50 Hz, full load, at 100% dimming level) ≤ xx.x %	10
Electrical protection	Class I
Control gear required	Yes
Control gear type	LED driver constant current
Dimmable	No
Dimming method	N/A
Drive current (mA)	110
Inrush Current (A)	80
Inrush Duration (µs)	100
Energy Efficiency Class (A->G) of contained light source	D
Nominal Frequency (Hz)	50/60Hz
LED Flickering Rate	Low (6% - 20%)
Max. products per 10A C Breaker	22
Max. products per 13A C Breaker	25
Max. products per 16A C Breaker	35
Max. products per 20A C Breaker	40
Max. products per 10A B Breaker	16
Max. products per 13A B Breaker	22
Max. products per 16A B Breaker	25
Max. products per 20A B Breaker	30

Kalani IP66 3KLM 830 WB 0056800

Mains surge immunity (differential mode -> L-N) (kV)	10
Mains surge immunity (common mode -> L/N - GND) (kV)	10
Connectable conductor cross section - Min (mm ²)	1
Connectable conductor cross section - Max (mm ²)	1

LIFETIME DATA

Lifespan L70 B50	100000
Lifespan L80 B50	100000
Lifespan L80 B20	100000

PHYSICAL DATA

Housing colour	RAL9017
IP rating	IP66
IK rating	IK08
Diffuser finish	Transparent
Diffuser material	Glass
Reflector finish	Matt
Nominal Product Length (mm)	331
Nominal Product Width (mm)	237
Nominal Product Height (mm)	68
Weight (kg)	2.3

PACKAGING

Product EAN number	5410288568003
Packaging single length / height (cm)	33.0
Packaging single width (cm)	23.5
Packaging single depth (cm)	6.8
DUN14 (inner)	05410288568003
Units per outer package	1
Packaging outer length / height (cm)	33.0

Kalani IP66 3KLM 830 WB 0056800

Packaging outer width (cm)	23.5
Packaging outer depth (cm)	6.8

SAFETY DATA

Glow Wire Test (°C)	650
Optimal operating condition (°C)	-30-50
Special purpose lamp	No
Dry applications use only	No
Suitable for household illumination	No