

82 424 970 Product version from 4/1/2025



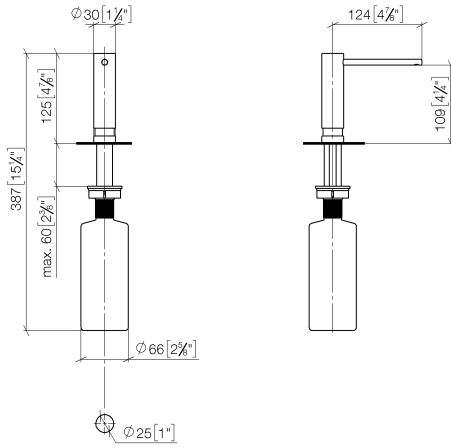
- 124mm projection
- 500 ml bottle
- can be filled from the top
- rotating pump head
- height 125 mm
- width 30mm
- hole diameter 25 mm

Fits ELIO, ENO, MEM, META SQUARE, SYNC and TARA ULTRA

	Brushed Durabronze (23kt Gold)	82 424 970-28
	Chrome	82 424 970-00
	Brushed Platinum	82 424 970-06
	Platinum	82 424 970-08
	Dark Chrome	82 424 970-19
	Matte Black	82 424 970-33
	Brushed Dark Brass (PVD)	82 424 970-39
	Brushed Bronze (PVD)	82 424 970-42
	Brushed Dark Bronze (PVD)	82 424 970-43
	Brushed Champagne (22kt Gold)	82 424 970-46
	Champagne (22kt Gold)	82 424 970-47
	Brushed Chrome	82 424 970-93
	Brushed Dark Platinum	82 424 970-99

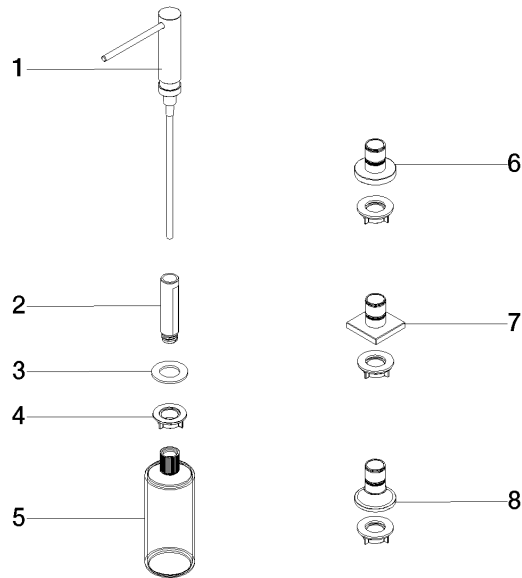
82 424 970 Product version from 4/1/2025

mm [inches]



82 424 970 Product version from 4/1/2025

Parts for other finishes can be found here: Chrome



Spare parts list

No.	Item Number	Name	Quantity used	Delivery time
3	09 14 05 014 90	Washer NBR 70 48,0 x 27,0 x 3,0 mm -	1.00	14
4	08 10 10 517 90	Nut Shaft dispenser 45 x 45 x 15 mm -	1.00	14
1	90 10 10 539 00-28	Dispenser Pump head, complete Installation variant without rosette - Brushed Durabronz (23kt Gold)	1.00	40
5	90 10 10 603 00 90	Bottle for integrated dispenser 500ml -	1.00	14
2	08 10 10 527 90	Shaft Shaft M24x1.25 M24 x 1,25 x 99 mm -	1.00	14
6	90 82 44 497 00-28	Conversion kit - Brushed Durabronz (23kt Gold)	1.00	40
8	90 82 43 480 90-28	Conversion kit - Brushed Durabronz (23kt Gold)	1.00	40
7	90 82 43 997 00-28	Conversion kit - Brushed Durabronz (23kt Gold)	1.00	40