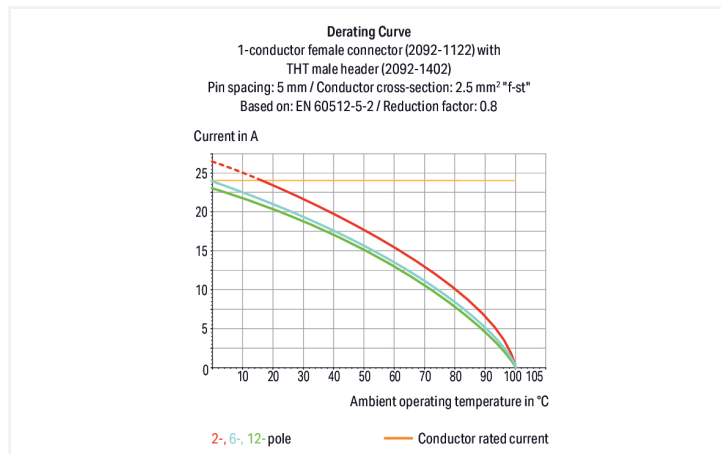
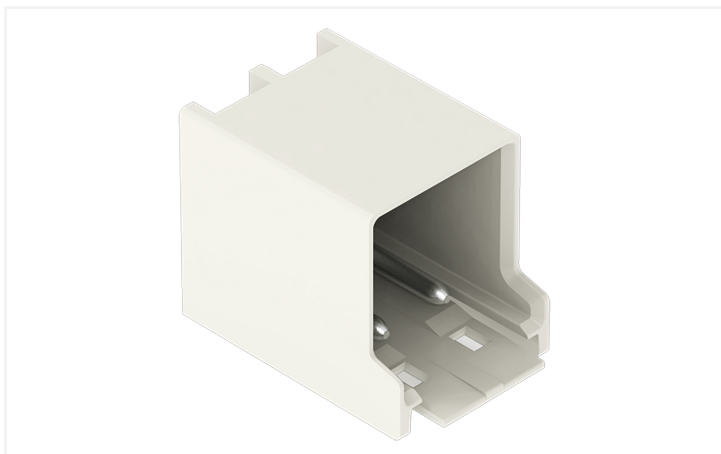


Data Sheet | Item Number: 2092-1423/200-000/997-406

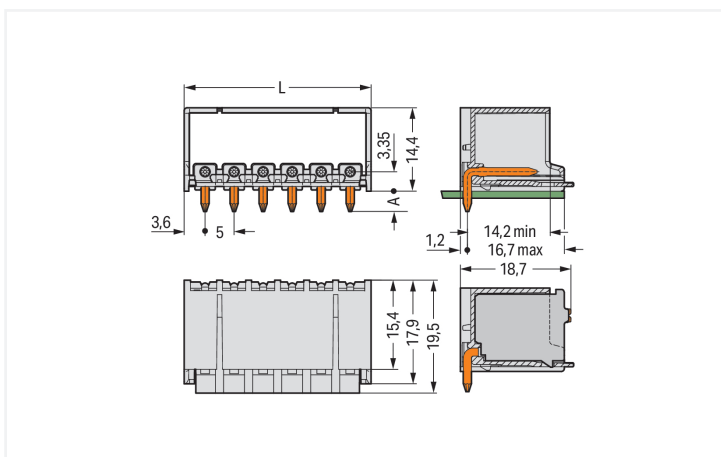
THR male header; 1.4 mm Ø solder pin; angled; in tape-and-reel packaging; Pin spacing 5 mm; 3-pole; light gray

<https://www.wago.com/2092-1423/200-000/997-406>



Color: ■ light gray

Similar to illustration



Dimensions in mm

$L = (\text{pole no.} \times \text{pin spacing}) + 2.2 \text{ mm}$
 $A = 3.6 \text{ mm THT solder pin}$
 $A = 2.4 \text{ mm THR solder pin}$

Male connector, 2092 Series, with 5 mm pin spacing

Our male connector (item number 2092-1423/200-000/997-406) simplifies electrical installations. Dimensions: (17.2 x 16.8 x 19.5) mm (width x height x depth).

Tin is used for coating the contact surfaces. THR is used to assemble the pcb connector.

Notes

Safety Information

The **picoMAX® Pluggable Connection System** includes connectors without breaking capacity in accordance with DIN EN 61984. When used as intended, these connectors must not be connected/disconnected when live or under load. When used as intended, these connectors must not be connected/disconnected when live or under load. The circuit design should ensure header pins, which can be touched, are not live when unmated.

Variants:

Direct marking
Tape-and-reel packaging
Other versions (or variants) can be requested from WAGO Sales or configured at <https://configurator.wago.com/>.

Electrical data

| Ratings per | IEC/EN 60664-1 | | | Approvals per | UL 1059 | | |
|---------------------------------|----------------|-------|-------|---------------|-----------|---|-------|
| | III | III | II | | Use group | B | C |
| Overvoltage category | III | III | II | Use group | B | C | D |
| Pollution degree | 3 | 2 | 2 | Rated voltage | 300 V | - | 300 V |
| Nominal voltage | 250 V | 320 V | 630 V | Rated current | 15 A | - | 10 A |
| Rated impulse withstand voltage | 4 kV | 4 kV | 4 kV | | | | |
| Rated current | 16 A | 16 A | 16 A | | | | |

Connection Data

| | | |
|----------------------------|---|---------------------|
| Total number of potentials | 3 | Connection 1 |
| Number of connection types | 1 | Pole number |
| Number of levels | 1 | 3 |

Physical data

| | |
|--|--------------------------|
| Pin spacing | 5 mm / 0.197 inches |
| Width | 17.2 mm / 0.677 inches |
| Height | 16.8 mm / 0.661 inches |
| Height from the surface | 14.4 mm / 0.567 inches |
| Depth | 19.5 mm / 0.768 inches |
| Solder pin length | 2.4 mm |
| Solder pin diameter | 1.4 mm |
| Plated through-hole diameter (THR) | 1.6 ^(+0.1) mm |
| Reel diameter of tape-and-reel packaging | 330 mm |
| Tape width | 44 mm |

Mechanical data

| | |
|--------------------------|-----|
| Variable coding | Yes |
| Anti-rotation protection | Yes |

Plug-in connection

| | |
|--------------------------------------|---------------------|
| Contact type (pluggable connector) | Male connector/plug |
| Connector (connection type) | for PCB |
| Mismating protection | No |
| Plugging without loss of pin spacing | Yes |
| Mating direction to the PCB | 0° |
| Locking of plug-in connection | Locking latch |

PCB contact

| | |
|-------------|-----|
| PCB contact | THR |
|-------------|-----|

Material data

| | |
|------------------------------------|--|
| Note (material data) | Information on material specifications can be found here |
| Color | light gray |
| Material group | I |
| Insulation material (main housing) | Polyphthalamide (PPA GF) |
| Flammability class per UL94 | V0 |
| Contact material | Electrolytic copper (E _{Cu}) |
| Contact Plating | Tin |
| Fire load | 0 MJ |
| Weight | 5.8 g |
| MSL per J-STD 020D | 1 |

Environmental requirements

| | |
|-------------------------|-----------------|
| Limit temperature range | -60 ... +100 °C |
| Processing temperature | -35 ... +60 °C |

Commercial data

| | |
|-----------------------|---------------|
| PU (SPU) | 100 pcs |
| Packaging type | Bag |
| Country of origin | DE |
| GTIN | 4055143934657 |
| Customs tariff number | 85366930000 |

Product Classification

| | |
|-----------|----------------------|
| UNSPSC | 39121409 |
| ETIM 9.0 | EC002637 |
| ETIM 10.0 | EC002637 |
| ECCN | NO US CLASSIFICATION |

Environmental Product Compliance

| | |
|------------------------|-------------------------|
| RoHS Compliance Status | Compliant, No Exemption |
|------------------------|-------------------------|

Approvals / Certificates

General approvals



| Approval | Standard | Certificate Name |
|---|-----------|------------------|
| CB DEKRA Certification B.V. | IEC 61984 | NL-89885 |
| CSA CSA Group | C22.2 | 2362521 |
| KEMA/KEUR DEKRA Certification B.V. | EN 61984 | 71-129874 |
| UL Underwriters Laboratories Inc. | UL 1977 | E45171 |

Downloads



Environmental Product Compliance

Compliance Search



Documentation

Additional Information

| | | | |
|-------------------|------------|-------------------|---|
| Technical Section | 03.04.2019 | pdf 2027.26 KB |  |
| | | pdf 611.20 KB |  |

1 Compatible Products

1.1 System counterpart

1.1.1 Female connector/socket



Item No.: 2092-1123

1-conductor female connector; push-button; Push-in CAGE CLAMP®; 2.5 mm²; Pin spacing 5 mm; 3-pole; 2,50 mm²; light gray

1.2 Optional Accessories

1.2.1 Coding

1.2.1.1 Coding



Item No.: 2092-1610

Coding key carrier; orange

Installation Notes

Coding



Coding a male header (via coding key carrier and two keys for male header, see symbol).