

# WATER FALL Cascade spout with individual jets for wall mounting - Platinum SERIES-VARIOUS

13 425 979 Product version from 10/1/2023



- PEARLSTREAM
- Max. flow rate 9.5 l/min (at 3 bar)
- Function from: 5.5 l/min
- with anti-scale system

**Technical data:**

- plate 240 mm x 60 mm
- 22mm projection
- connection 1/2", for shortening
- plug-link mounting

**Notes:**

	Platinum	13 425 979-08
	Chrome	13 425 979-00
	Brushed Platinum	13 425 979-06
	Dark Chrome	13 425 979-19
	Light Gold (PVD)	13 425 979-26
	Brushed Light Gold (PVD)	13 425 979-27
	Brushed Durabrass (23kt Gold)	13 425 979-28
	Matte Black	13 425 979-33
	Brushed Gold (PVD)	13 425 979-37
	Brushed Dark Brass (PVD)	13 425 979-39
	Brushed Bronze (PVD)	13 425 979-42
	Brushed Dark Bronze (PVD)	13 425 979-43
	Brushed Champagne (22kt Gold)	13 425 979-46
	Champagne (22kt Gold)	13 425 979-47
	Brushed Chrome	13 425 979-93
	Brushed Dark Platinum	13 425 979-99

## Recommended miscellaneous



- Concealed wall elbow -**  
 • min. recess depth 90 mm  
 • max. recess depth 163 mm

35 085 970 90

## Recommended miscellaneous

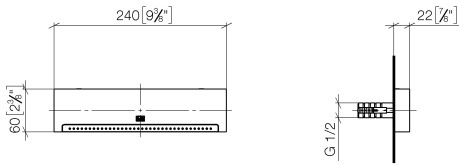


- Concealed wall elbow -**  
 • min. recess depth 90 mm  
 • max. recess depth 163 mm

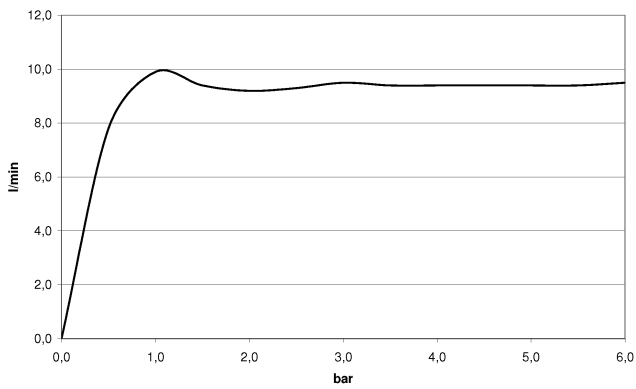
35 085 970 90

13 425 979    Product version from 10/1/2023

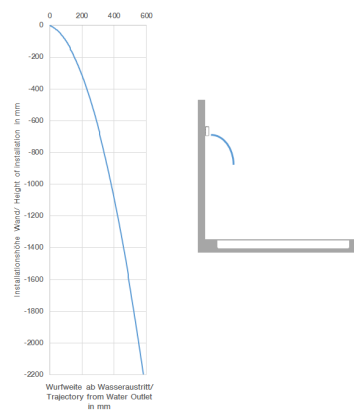
mm [inches]



**Flow rate chart**



**Trajectory diagram**



**Codes & Standards**

ASME A112.18.1

cUPC

DIN 4109

ISO 3822

**Ü-Zeichen**



**WATER FALL Cascade spout with individual jets for wall mounting - Platinum**      **SERIES-VARIOUS**

---

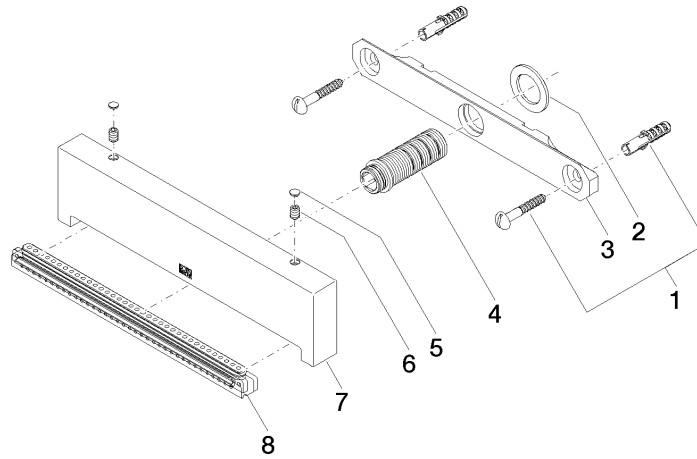
13 425 979    Product version from 10/1/2023

Certificates and sustainability

---

LGA\_19

IAPMO\_4976



## Spare parts list

No.	Item Number	Name	Quantity used	Delivery time
5	90 31 20 087 00-08	Plug with O-ring Ø 7 x 2,1 mm - Platinum	1.00	54
3	09 17 97 053 90	Holder 30 x 8 x 222 mm -	1.00	14
1	04 30 31 024 01 90	Attachment set Wood screw with dowel 6 x 40 mm -	1.00	14
7	09 17 01 185 20-08	Body 240 x 60 x 22 mm - Platinum	1.00	54
8	90 29 03 071 00 90	Beam shaper 216 x 11,35 x 16,2 mm -	1.00	14
2	09 14 05 009 90	Washer NBR 70 34,0 x 22,0 x 2,0 mm -	1.00	14
6	09 31 11 144 90	Mounting Threaded pin with hexagon socket with point M6 x 10 mm -	2.00	14
4	90 24 03 199 00 90	Nipple Ø 23,2 x 63,5 mm, 9,5 l/min. -	1.00	14