



HencoLogic

RF thermostatic radiator head

CU-RADTHERMRF manual



RF thermostatic radiator head

CU-RADTHERMRF

The HencoLogic programmable electronic thermostatic head is designed for the control of domestic water-based radiators. The thermostatic head can be used as a stand-alone device.

| | |
|-------------------------|----------------------------|
| Room temperature | Temperature control |
| 0÷50°C | 5÷30°C |

The key to optimal temperature control

Programmable electronic thermostatic head for radiators.
Can only be used as a standalone device.

| | |
|------------------------|---|
| Stroke speed: | 2mm-1mm/s. |
| Protection: | Class I - IP20. |
| Power supply: | 2 AA LR06 1.5V Alkaline. Actuator force 70N. |
| Compliant with: | EMC 2014/30/EU, RED 2014/53/EU, LVD 2014/35/EU, GPSD 2001/95/EC, RoHS 2011/65/EU. |

The programmable electronic thermostatic head with LCD display is designed to control various types of water-based radiators, optimise energy consumption and enhance home comfort:

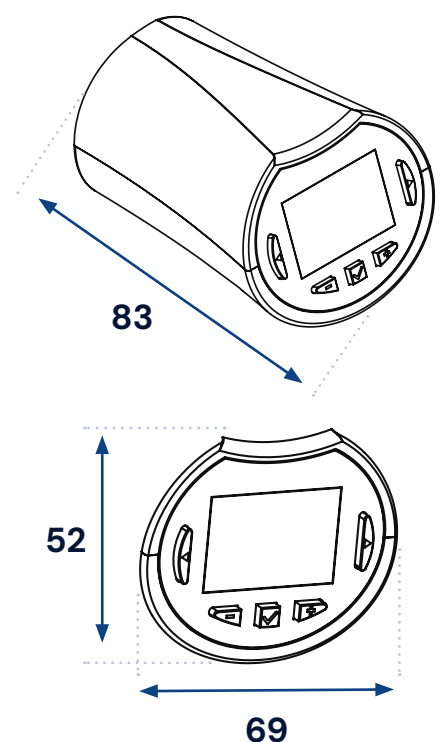
- modern design;
- stand-alone version
- "easy programme creation" function;
- weekly programming with increments of 30 mins;
- temporary override function;
- anti-freeze function;
- adaptive PID control for enhanced comfort and energy savings;
- non-volatile EEPROM memory;
- 2 rechargeable AA (LR6) batteries;
- 2 parameter menus (user and installer);
- 3 types of adapter for fitting on water-based radiators: M30x1.5, M28x1.5, TRV Series valve.

Technical specifications

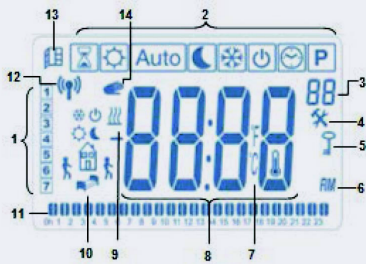
| | |
|--|--|
| Environmental conditions: Operating temperature | 0÷50°C |
| Shipping and storage temperature | -10÷50°C |
| IP rating | IP20 |
| Protection class | Class I |
| Temperature accuracy | 0.1°C |
| Comfort and reduced T setting range (°C) | 5÷30°C (with increments of 0.5°C) |
| Anti-freeze | 7.0°C (adjustable) |
| Timer/Boost | 5÷30°C |
| Setting characteristics | PID |
| Maximum stroke | 3.5 mm |
| Maximum force | 70 N |
| Differential pressure | 1.5 bar |
| Power supply | 2 AA 1.5V alkaline batteries |
| Service life | >2 years |
| Radio frequency | 868.3 MHz, <10 mW |
| Software version | Shown in parameter menu No. 19 v X.X |
| Compatible with | BT-CT02 RF central control unit |
| Directives | EMC 2014/30/EU LVD 2014/35/EU RED 2014/53/EU GPSD 2001/95/EC RoHS 2011/65/EU |

Dimensions

In mm



Operation



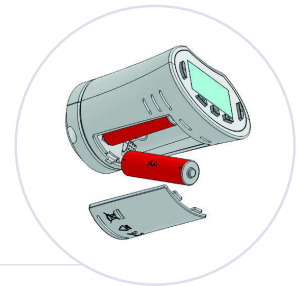
- 1 Current day of the week.
- 2 Operating mode menu (the active mode is framed).
- 3 Programme number or parameter number if " " is displayed.
- 4 Installation parameter menu.
- 5 Keypad locked indicator.
- 6 AM or PM indicator for 12-hour clock mode.
- 7 Unit of temperature measurement indicator (°C or °F).
- 9 Temperature and/or clock setting.
- 9 Heating demand indicator.
- 10 Icon for the creation and status of a programme in standard operating mode.
- 11 Current day's programme (the current time bar flashes).
- 12 RF signal transmission icon.
- 13 Window open icon.
- 14 Temporary override function ON (Timer/Boost mode).

Installation

Fitting the batteries:

- open the battery compartment cover and insert **2 AA alkaline batteries**
- close the battery compartment cover.

Note: The batteries can be changed with the head installed.



Installation of the programmable thermostatic head:

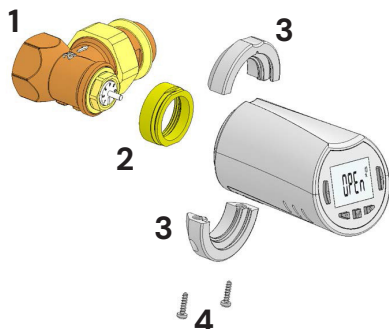
Motor activation menu

- fully open the programmable thermostatic head;
- go to parameter menu **No. 10** by pressing and **holding button (V) for more than 5 seconds**.

The screen shown below will appear:







- **press (V) to confirm**. The display shows the message **Open**. Wait for the back-lighting to switch off. The motor opens the device fully (the message **Open** will flash during this operation). When the programmable thermostatic head is fully open, the message **Open** stops flashing and the backlighting comes back on. You can now install the programmable thermostatic head on the thermostat-adaptable valve of the radiator.



- 1 Radiator valve
- 2 Adapter
- 3 Plastic brackets
- 4 Fixing screws



Fitting

| | | | |
|---|---|--|---|
|  <p>1</p> |  <p>2</p> |  <p>3</p> |  <p>4</p> |
| <p>Screw the adapter onto the valve body</p> | <p>Fix the brackets to the adapter nut and the head</p> | <p>Fix the two screws to the brackets</p> | <p>Press (v) to finish (Close)</p> |

Specification text

CU-RADTHERMRF

Programmable electronic thermostatic head Henco brand HencoLogic Series for the electronic control of individual radiators. For use as a stand-alone device. 9 pre-set and 4 user programmes. Actuator stroke speed: 2mm/s. Power supply: 2 AA LRO6 batteries. Actuator force 70N. Automatic compensation of valve actuator stroke during installation. Light blue back-lit display. Soft-touch keypad for programming and use. Keypad lock mode. Double temperature sensor, radiator side and room side. Window open function. Valve seal anti-seizing function. Compliant with: EMC 2014/30/EU, RED 2014/53/EU, LVD 2014/35/EU, GPSD 2001/95/EC, RoHS 2011/65/EU.



MyHenco

The best of Henco always at hand.



Register now
for free.