

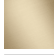




13 716 671 Product version from 4/1/2024



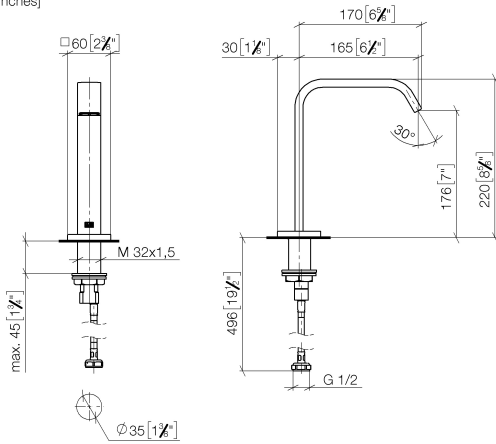
- 165mm projection
- fixed spout
- rectangular, air-enriched flow
- height of mixer 220 mm
- height up to aerator 176 mm
- hole diameter 35 mm
- rosette 60 x 60 mm
- 2x screw-in M 10 x 1 pressure hose, leak-tested
- max. flow 4.5 l/min
- lead-free
- This product can help a building meet the requirements of Green Building Rating Systems, e.g. LEED®, BREEAM®, DGNB

For Touchfree control please order eSet Touchfree with temperature adjustment

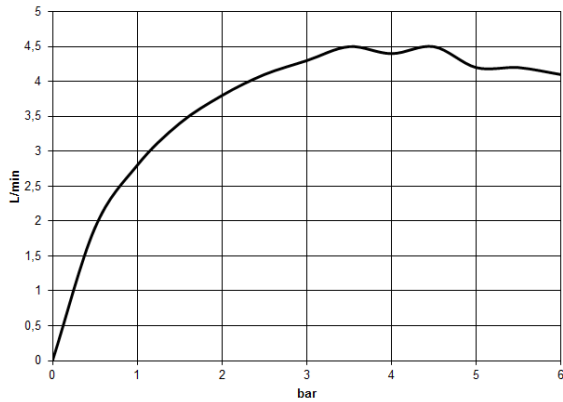
	Brushed Platinum	13 716 671-06
	Chrome	13 716 671-00
	Brushed Light Gold (PVD)	13 716 671-27
	Brushed Gold (PVD)	13 716 671-37
	Brushed Chrome	13 716 671-93

13 716 671 Product version from 4/1/2024

mm [inches]



Flow rate chart



Codes & Standards

DIN 4109

ISO 3822

Scottish Water
Byelaws

UK Water Supply
Regulations

Ü-Zeichen



IMO Deck-mounted basin spout without pop-up waste - Brushed Platinum

IMO

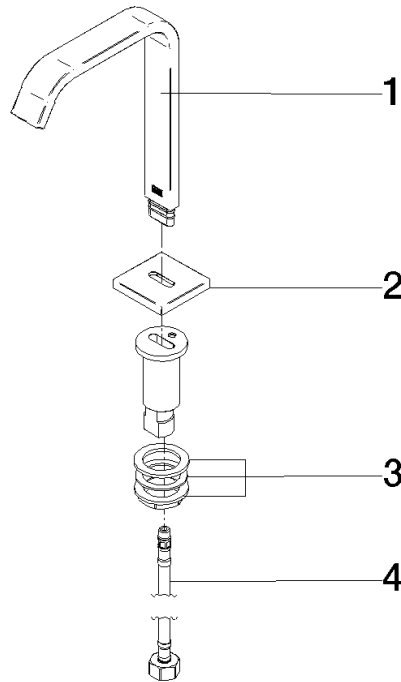
13 716 671 Product version from 4/1/2024

Certificates and sustainability

LGA_38	WRAS_250102	EPD-DOR-20230287 -IBA1-EN Environmental.prod uct-declarat
--------	-------------	--

13 716 671 Product version from 4/1/2024

Parts for other finishes can be found here: [Chrome](#)



Spare parts list

No.	Item Number	Name	Quantity used	Delivery time
3	04 23 10 009 01 90	Mounting with seals M32 x 1,5 -	1.00	14
2	09 27 78 034-06	Rosette for washstand deck-mounted spout without pop-up waste 60 x 60 x 9 mm - Brushed Platinum	1.00	20
4	04 30 04 019 00 90	High pressure hose with sleeve nut M10x1 x 1/2" x 420 mm -	1.00	14
1	90 28 22 415 00-06	Spout 231 x 73,5 x 40,5 mm - Brushed Platinum	1.00	20