

VAIA Two-hole bridge mixer for rinsing/Profi spray - Brushed Dark Bronze (PVD)

VAIA

19 825 809 Product version from 7/1/2023



- 241mm projection
- pivotable spout 360°
- air-enriched flow
- max. flow 7 l/min at 3 bar flow pressure
- lead-free
- This product can help a building meet the requirements of Green Building Rating Systems, e.g. LEED®, BREEAM®, DGNB

Two-hole mixer for combining with rinsing/Profi spray only

	Brushed Dark Bronze (PVD)	19 825 809-43
	Chrome	19 825 809-00
	Brushed Platinum	19 825 809-06
	Platinum	19 825 809-08
	Durabronze (23kt Gold)	19 825 809-09
	Dark Chrome	19 825 809-19
	Brushed Durabronze (23kt Gold)	19 825 809-28
	Matte Black	19 825 809-33
	Brushed Dark Brass (PVD)	19 825 809-39
	Brushed Bronze (PVD)	19 825 809-42
	Brushed Champagne (22kt Gold)	19 825 809-46
	Champagne (22kt Gold)	19 825 809-47
	Brushed Chrome	19 825 809-93
	Brushed Dark Platinum	19 825 809-99



VAIA Two-hole bridge mixer for rinsing/Profi spray - Brushed Dark Bronze
(PVD)

VAIA

19 825 809 Product version from 7/1/2023

Certificates and sustainability

LGA_38

EPD-DOR-20230287

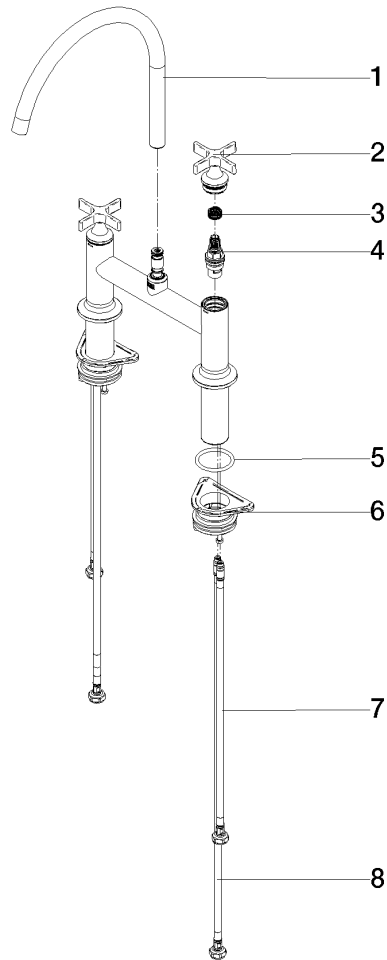
-IBA1-EN

Environmental.prod

uct-declarat

19 825 809 Product version from 7/1/2023

Parts for other finishes can be found here: [Chrome](#)



Spare parts list

No.	Item Number	Name	Quantity used	Delivery time
8	04 30 04 101 00 90	High pressure hose M8x1 x 3/8" x 600 mm -	2.00	14
5	90 14 10 043 00 90	O-Ring 40,0 x 4,0 mm -	2.00	14
6	04 30 11 040 00 90	Mounting for sink unit deck mounting with spacer M34 x 1 -	2.00	14
3	90 12 12 232 00 90	Ring Adapter ring for socket -	2.00	14
1	90 28 22 396 00-43	spout	1.00	-
Spare part can no longer be ordered, please order the replacement item				
7	04 30 04 100 00 90	High pressure hose M8x1 x 3/8" x 420 mm -	2.00	14
4	90 90 03 131 00 90	Head part clockwise closing 1/2" -	2.00	14
2	90 20 80 036 00-43	handle	2.00	-
Spare part can no longer be ordered, please order the replacement item				