

# PROLUMIA®

## PRODISC HELIOS

SURFACE / FLUSH / PENDANT  
MOUNTED LUMINAIRES

ELEGANT,  
PREMIUM AND  
MULTIFUNCTIONAL  
DECORATIVE  
LUMINAIRE

ELEGANT LUMINAIRE WITH HALO  
BACKLIGHT FEATURING PREMIUM  
MULTIFUNCTIONAL DESIGN





# PRODISC HELIOS

## SURFACE / FLUSH / PENDANT MOUNTED LUMINAIRES

ELEGANT LUMINAIRE WITH HALO BACKLIGHT FEATURING PREMIUM MULTIFUNCTIONAL DESIGN

*Prodisc Helios combines refined aesthetics and professional versatility. The elegant halo backlight and metal ring design create a visual delight, while the multifunctional design meets various needs. Prodisc Helios offers multi-switchable light outputs and CCT options. It also features low-glare comfort and versions with motion sensor and 3H self-testing emergency lighting - ideal for both residential and commercial environments. The click-and-install gear tray simplifies installation, while multiple mounting options enhance flexibility.*

### FEATURES & PROPERTIES

- Elegant halo glow with backlight.
- Three sizes (Ø 290, Ø 350, Ø 430 mm) with a white or black aluminium ring.
- Adjustable light output and CCT (3000 / 3500 / 4000 K).
- Advanced features: sensor, corridor function, and 3 h self-test emergency unit.
- Low glare (UGR <19) for comfort in workspaces and hospitality.
- Quick installation with a click-in gear tray and versatile mounting.

### GENERAL SPECIFICATIONS

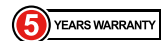
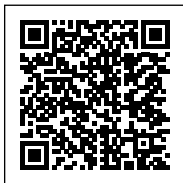
Type of luminaire	Surface / flush / pendant mounted
Application	Wall, ceiling
Installation environment	Indoor
Lighting purpose	General, functional
Luminaire versions	Standard (on/off), Sensor, Emergency unit, Sensor + Emergency unit
Electrical safety class	Class II
AC-voltage & frequency	220-240 V AC   50-60 Hz or 220 V DC <sup>1)</sup>
Type of driver	Constant current
Type of light source	LED (type SMD 2835)
Power consumption (min. - max.)	4 - 34 W
Luminous flux (min. - max.) at 4000 K	410 - 3,700 lm
Luminous flux adjustable	Mini: 2 settings   Midi: 4 settings   Maxi: 4 settings
Light colour	3000 / 3500 / 4000 K
Light colour adjustable	3 positions
Color Rendering Index	Ra>80
Optical system	Lens + Diffuser (opal)
Beam angle	90° round symmetrical
Ingress Protection (IP)	IP40
Impact resistance (IK)	IK08
Median useful life	L90 >50,000 hours   L80 >100,000 hours
Ambient temperature (Ta-range)	-25°C to +50°C <sup>2)</sup>
Material	Polycarbonate housing and diffuser   Aluminium ring
Colour / Finishing	White or black / Matte finish
Certification	CE
Warranty period	5 years <sup>3)</sup>

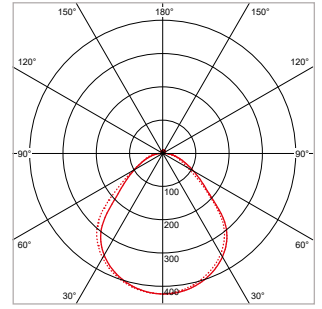
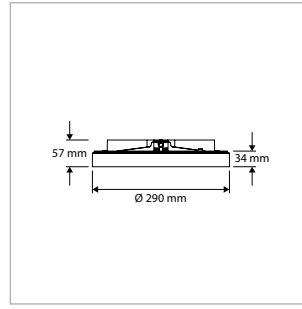
<sup>1)</sup> Applicable to Standard (on/off) versions on  
<sup>2)</sup> Temperature range refers to Standard (on/off) versions. Sensor versions: -25°C to +40°C | Versions w. Emergency Unit: 0°C to +50°C | Sensor versions w. Emergency Unit: 0°C to +40°C  
<sup>3)</sup> Warranty period for Emergency Battery limited to 3 years

### APPLICATIONS

Entrances, halls, corridors, stairwells, lift lobbies, storerooms, toilets, bathrooms, etc.

MORE INFO ABOUT PRODISC HELIOS ONLINE:



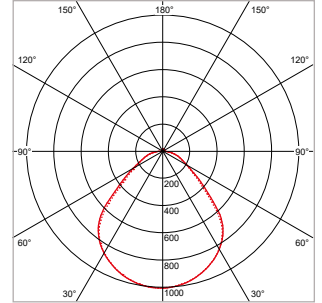
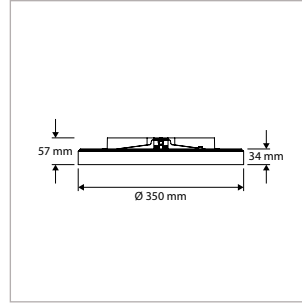


### PRODISC HELIOS MINI - SURFACE-MOUNTED - IP40 - ROUND - Ø 290 x H 57 mm - WHITE

VERSION	CCT	CRI	LIGHT OUTPUT	POWER	DRIVER	ART. NO.	STOCK
Standard	3000 / 3500 / 4000 K	Ra >80	460 / 920 lm	4.0 / 8.0 W	On / Off	40008885	☺
Sensor	3000 / 3500 / 4000 K	Ra >80	460 / 920 lm	4.5 / 8.5 W	On / Off	40008886	☺
Emergency	3000 / 3500 / 4000 K	Ra >80	460 / 920 lm	6.5 / 10.5 W	On / Off	40008887	☺
Sensor + Emergency	3000 / 3500 / 4000 K	Ra >80	460 / 920 lm	7.0 / 11.0 W	On / Off	40008888	☺

### PRODISC HELIOS MINI - SURFACE-MOUNTED - IP40 - ROUND - Ø 290 x H 57 mm - BLACK

VERSION	CCT	CRI	LIGHT OUTPUT	POWER	DRIVER	ART. NO.	STOCK
Standard	3000 / 3500 / 4000 K	Ra >80	410 / 820 lm	4.0 / 8.0 W	On / Off	40008891	☺
Sensor	3000 / 3500 / 4000 K	Ra >80	410 / 820 lm	4.5 / 8.5 W	On / Off	40008892	☺
Emergency	3000 / 3500 / 4000 K	Ra >80	410 / 820 lm	6.5 / 10.5 W	On / Off	40008893	☺
Sensor + Emergency	3000 / 3500 / 4000 K	Ra >80	410 / 820 lm	7.0 / 11.0 W	On / Off	40008894	☺

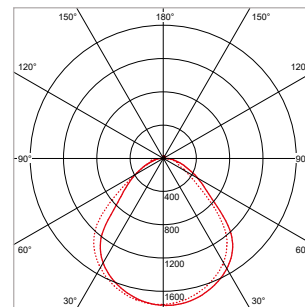
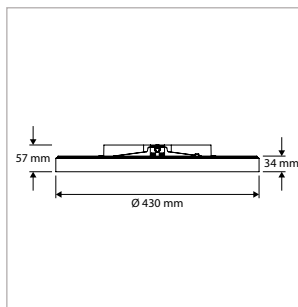


### PRODISC HELIOS MEDIUM - SURFACE-MOUNTED - IP40 - ROUND - Ø 350 x H 57 mm - WHITE

VERSION	CCT	CRI	LIGHT OUTPUT	POWER	DRIVER	ART. NO.	STOCK
Standard	3000 / 3500 / 4000 K	Ra >80	700 / 1,000 / 1,500 / 2,300 lm	6.0 / 8.5 / 12.7 / 19.5 W	On / Off	40008897	☺
Sensor	3000 / 3500 / 4000 K	Ra >80	700 / 1,000 / 1,500 / 2,300 lm	6.5 / 9.0 / 13.2 / 20.0 W	On / Off	40008898	☺
Emergency	3000 / 3500 / 4000 K	Ra >80	700 / 1,000 / 1,500 / 2,300 lm	8.5 / 11.0 / 15.2 / 22.0 W	On / Off	40008899	☺
Sensor + Emergency	3000 / 3500 / 4000 K	Ra >80	700 / 1,000 / 1,500 / 2,300 lm	9.0 / 11.5 / 15.7 / 22.5 W	On / Off	40008900	☺

### PRODISC HELIOS MEDIUM - SURFACE-MOUNTED - IP40 - ROUND - Ø 350 x H 57 mm - BLACK

VERSION	CCT	CRI	LIGHT OUTPUT	POWER	DRIVER	ART. NO.	STOCK
Standard	3000 / 3500 / 4000 K	Ra >80	630 / 900 / 1,350 / 2,100 lm	6.0 / 8.5 / 12.7 / 19.5 W	On / Off	40008903	☺
Sensor	3000 / 3500 / 4000 K	Ra >80	630 / 900 / 1,350 / 2,100 lm	6.5 / 9.0 / 13.2 / 20.0 W	On / Off	40008904	☺
Emergency	3000 / 3500 / 4000 K	Ra >80	630 / 900 / 1,350 / 2,100 lm	8.5 / 11.0 / 15.2 / 22.0 W	On / Off	40008905	☺
Sensor + Emergency	3000 / 3500 / 4000 K	Ra >80	630 / 900 / 1,350 / 2,100 lm	9.0 / 11.5 / 15.7 / 22.5 W	On / Off	40008906	☺



**PRODISC HELIOS MAXI - SURFACE-MOUNTED - IP40 - ROUND - Ø 430 x H 57 mm - WHITE**

VERSION	CCT	CRI	LIGHT OUTPUT	POWER	DRIVER	ART. NO.	STOCK
Standard	3000 / 3500 / 4000 K	Ra >80	1,400 / 1,850 / 2,800 / 3,700 lm	11.7 / 15.5 / 23.5 / 31.0 W	On / Off	40008909	☑
Sensor	3000 / 3500 / 4000 K	Ra >80	1,400 / 1,850 / 2,800 / 3,700 lm	12.2 / 16.0 / 24.0 / 31.5 W	On / Off	40008910	☑
Emergency	3000 / 3500 / 4000 K	Ra >80	1,400 / 1,850 / 2,800 / 3,700 lm	14.2 / 18.0 / 26.0 / 33.5 W	On / Off	40008911	☑
Sensor + Emergency	3000 / 3500 / 4000 K	Ra >80	1,400 / 1,850 / 2,800 / 3,700 lm	14.7 / 18.5 / 26.4 / 34.0 W	On / Off	40008912	☑

**PRODISC HELIOS MAXI - SURFACE-MOUNTED - IP40 - ROUND - Ø 430 x H 57 mm - BLACK**

VERSION	CCT	CRI	LIGHT OUTPUT	POWER	DRIVER	ART. NO.	STOCK
Standard	3000 / 3500 / 4000 K	Ra >80	1,300 / 1,700 / 2,550 / 3,400 lm	11.7 / 15.5 / 23.5 / 31.0 W	On / Off	40008915	☑
Sensor	3000 / 3500 / 4000 K	Ra >80	1,300 / 1,700 / 2,550 / 3,400 lm	12.2 / 16.0 / 24.0 / 31.5 W	On / Off	40008916	☑
Emergency	3000 / 3500 / 4000 K	Ra >80	1,300 / 1,700 / 2,550 / 3,400 lm	14.2 / 18.0 / 26.0 / 33.5 W	On / Off	40008917	☑
Sensor + Emergency	3000 / 3500 / 4000 K	Ra >80	1,300 / 1,700 / 2,550 / 3,400 lm	14.7 / 18.5 / 26.4 / 34.0 W	On / Off	40008918	☑

**PRODISC HELIOS - ACCESSORIES**

VERSION	ART. NO.	STOCK
Prodisc Helios, Suspension set incl. wire L 125 cm, white	40008922	☑
Prodisc Helios, Suspension set incl. wire L 125 cm, black	40008923	☑
Prodisc Helios, Recess clips, set 2pcs.	40008924	☑



40008922



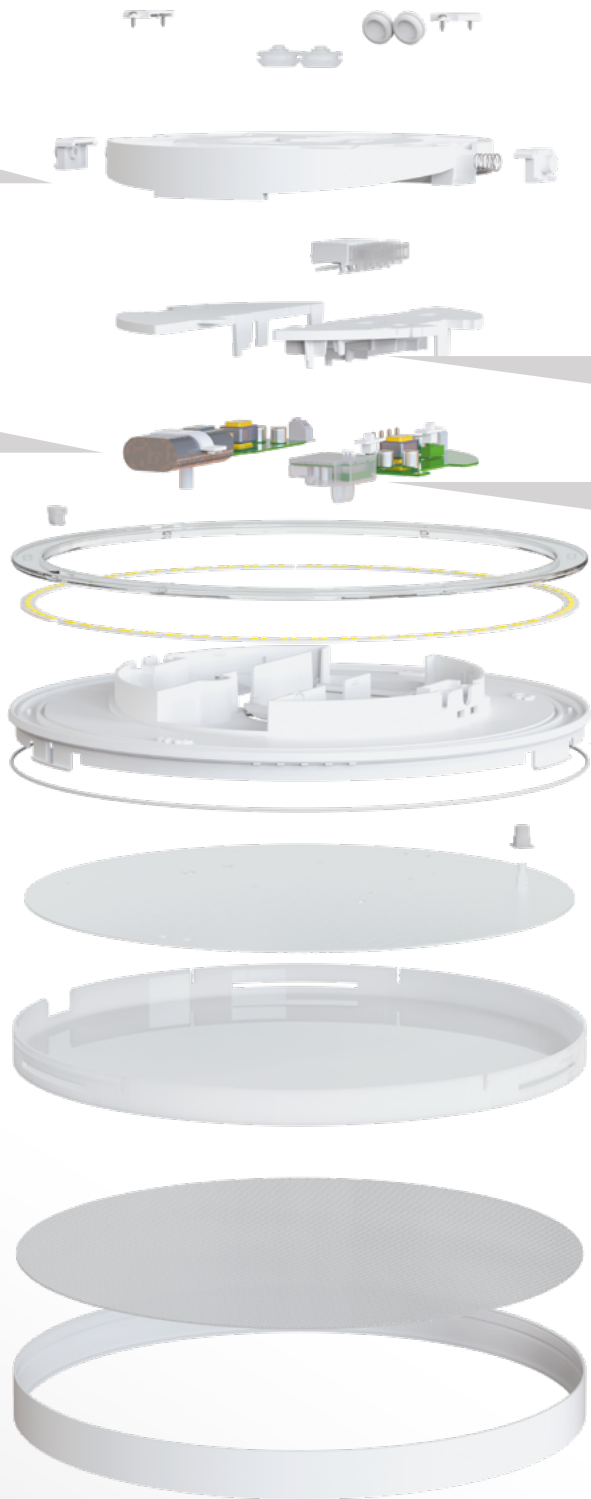
40008923



40008924

# ECODESIGN

## UNIQUE BLEND OF VERSATILE PROFESSIONAL FUNCTIONALITIES AND VISUAL DELIGHT



**VERSATILE MOUNTING**  
Standard surface-mounting; optional pendant and flush mounting available

**SELF-TESTING EMERGENCY LIGHTING (3H)**  
Cost- and time-saving maintenance - great relief for facility managers

**ELEGANT HALO BACKLIGHT**  
On/off switchable backlight in 3 CCT

**LOW GLARE VISUAL COMFORT**  
UGR <19 opal diffuser ensures smooth and uniform light distribution, ideal for workplace and hospitality settings

**FLEXIBLE**  
Adjustable brightness and CCT, catering to diverse application requirements

**ENERGY-SAVING**  
Integrated microwave motion sensor supports corridor function, master-slave control, and daylight detection

**EASY INSTALLATION**  
Universal installation base with click-and-install gear tray

**VERSATILITY**  
Available in 3 sizes (Ø 290 / Ø 350 / Ø 430 mm) and 2 colours (black / white)

**ELEGANT.  
FLEXIBLE.  
ADAPTABLE.**

# PROLUMIA®

## PROLUMIA NL

Riga 10  
2993 LW BARENDRECHT  
T +31 (0)180 64 54 00  
E [info@prolumia.nl](mailto:info@prolumia.nl)

## PROLUMIA BE

Saffierstraat 5 - Unit 10A  
2200 HERENTALS  
T +32 (0)14 25 07 70  
E [info@prolumia.be](mailto:info@prolumia.be)

## PROLUMIA CZ

Ke Slivenci 48  
154 00 PRAHA 5 - LOCHKOV  
T +420 222 563 003  
E [info@prolumia.cz](mailto:info@prolumia.cz)

## PROLUMIA DE

Feldbergstraße 57  
61440 OBERURSEL  
T +49 6171 8989 594  
E [info@prolumia.de](mailto:info@prolumia.de)

MORE INFO ABOUT  
PRODISC HELIOS  
ONLINE:



Version: 1.0 - 2025-05

*Nedelko B.V. pays the utmost attention to its catalog and reliability and actuality of the information contained therein. Despite all care, inaccuracies and omissions can not always be prevented. Nedelko B.V. is not liable for errors or inaccuracies. For the most current information please contact our sales department.*