

17 500 892 Product version from 6/30/2009

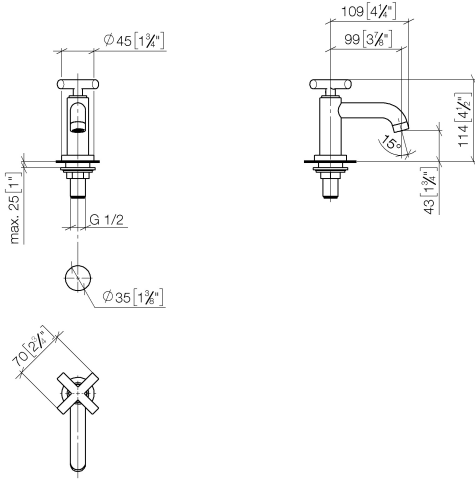


- 100mm projection
- fixed spout
- circular, air-enriched flow
- height of mixer 115 mm
- height up to aerator 40 mm
- hole diameter 35 mm
- 1/2" connection
- rosette Ø 45 mm
- max. flow 7 l/min
- lead-free
- This product can help a building meet the requirements of Green Building Rating Systems, e.g. LEED®, BREEAM®, DGNB

	Platinum	17 500 892-08
	Chrome	17 500 892-00
	Brushed Platinum	17 500 892-06
	Dark Chrome	17 500 892-19
	Brushed Durabronze (23kt Gold)	17 500 892-28
	Matte Black	17 500 892-33
	Brushed Gold (PVD)	17 500 892-37
	Brushed Dark Brass (PVD)	17 500 892-39
	Brushed Bronze (PVD)	17 500 892-42
	Brushed Champagne (22kt Gold)	17 500 892-46
	Champagne (22kt Gold)	17 500 892-47
	Brushed Chrome	17 500 892-93
	Brushed Dark Platinum	17 500 892-99

17 500 892 Product version from 6/30/2009

mm [inches]



Flow rate chart



Codes & Standards

DIN 4109

ISO 3822

Ü-Zeichen



## TARA Pillar tap cold water - Platinum

TARA

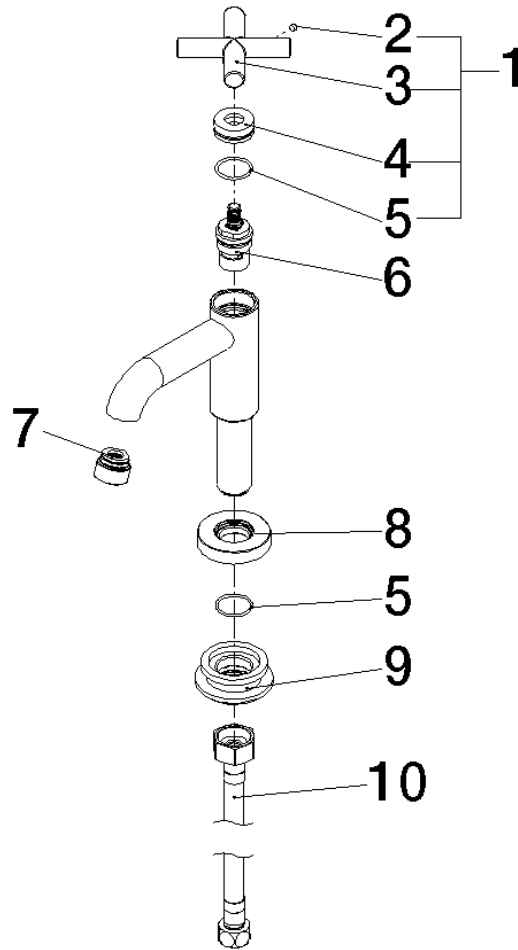
17 500 892 Product version from 6/30/2009

### Certificates and sustainability

LGA_18	EPD-DOR-20230287 -IBA1-EN Environmental.prod uct-declarat
--------	--

17 500 892 Product version from 6/30/2009

Parts for other finishes can be found here: Chrome



Spare parts list

No.	Item Number	Name	Quantity used	Delivery time
	9 04 23 10 010 88 90	Mounting with seals Ø 53 x 27 mm, 1/2" -	1.00	14
	5 09 14 10 085 90	O-Ring 20,0 x 1,5 mm -	2.00	14
	8 09 27 89 106-08	Rosette Ø 45 x 9 mm - Platinum	1.00	54
	7 90 23 01 068 01-08	Aerator M18x1 7,0 l/min. - Platinum	1.00	54
	4 09 21 02 089-08	Cover Ø 24,5 x 9,5 mm - Platinum	1.00	54
	1 90 20 89 011 00-08	handle	1.00	-
Spare part can no longer be ordered, please order the replacement item				
	3 09 20 89 011-08	Handle 70 x 70 x 22,5 mm - Platinum	1.00	54
	6 90 90 03 135 00 90	Head part clockwise closing 1/2" -	1.00	14
	2 09 31 11 055 90	Mounting Threaded pin with hexagon socket with point M4 x 3,5 mm -	1.00	14
	10 90 30 04 025 00 90	High pressure hose 3/8" x 1/2" x 500 mm -	1.00	14