

83 200 892 Product version from 4/1/2024

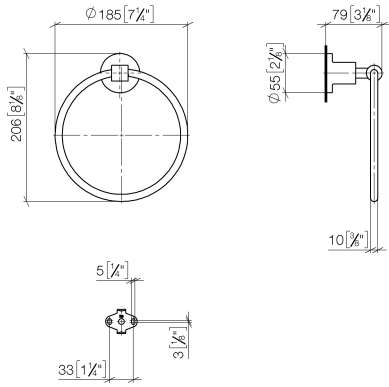


- width 185mm
- rosette Ø 55 mm
- 80mm projection

| | | |
|---|--------------------------------|---------------|
|  | Brushed Dark Platinum | 83 200 892-99 |
|  | Chrome | 83 200 892-00 |
|  | Brushed Platinum | 83 200 892-06 |
|  | Platinum | 83 200 892-08 |
|  | Dark Chrome | 83 200 892-19 |
|  | Brushed Durabronze (23kt Gold) | 83 200 892-28 |
|  | Matte Black | 83 200 892-33 |
|  | Brushed Gold (PVD) | 83 200 892-37 |
|  | Brushed Dark Brass (PVD) | 83 200 892-39 |
|  | Brushed Bronze (PVD) | 83 200 892-42 |
|  | Brushed Dark Bronze (PVD) | 83 200 892-43 |
|  | Brushed Champagne (22kt Gold) | 83 200 892-46 |
|  | Champagne (22kt Gold) | 83 200 892-47 |
|  | Brushed Chrome | 83 200 892-93 |

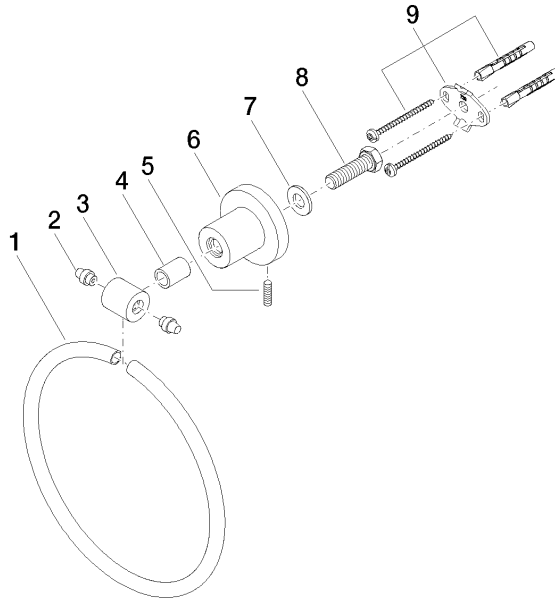
83 200 892 Product version from 4/1/2024

mm [inches]



83 200 892 Product version from 4/1/2024

Parts for other finishes can be found here: [Chrome](#)



Spare parts list

| No. | Item Number | Name | Quantity used | Delivery time |
|-----|----------------------|--|---------------|---------------|
| | 2 08 31 20 550 90 | Plug for towel ring - | 2.00 | 14 |
| | 3 08 17 89 550-99 | Holder for towel ring 22 x 22 x 23 mm - Brushed Dark Platinum | 1.00 | 40 |
| | 9 05 17 20 739 00 90 | Attachment set 150 x 65 x 10 mm - | 1.00 | 14 |
| | 4 08 17 20 624-99 | Sleeve Ø 14 x 10 x 19,50 mm - Brushed Dark Platinum | 1.00 | 40 |
| | 6 08 17 89 505-99 | Holder universal 60 x 100 x 60 mm - Brushed Dark Platinum | 1.00 | 40 |
| | 7 09 30 11 046 90 | Washer Ø 10,5 - | 1.00 | 14 |
| | 8 09 30 30 072 90 | Mounting Hexagonal bolt with thread as far as head M10 x 35 mm - | 1.00 | 14 |
| | 1 08 18 80 502-99 | Holder 185 x 185 x 10 mm - Brushed Dark Platinum | 1.00 | 40 |
| | 5 04 31 11 113 00 90 | Mounting Threaded pin M5 x 12 mm - | 1.00 | 14 |