

27 838 979 Product version up to 3/2/2021



- LAMINAR FLOW, max. flow rate 15 l/min (at 3 bar)
- Function from: 7 l/min
- with anti-scale system
- inherently safe from back flow
- metal shower hose 1250mm with integrated anti-twist protection

Technical data:

- cover plate 240 x 60 mm
- 1/2" connection
- 3/8" shower outlet
- plug-link mounting

Notes:

	Brushed Platinum	27 838 979-06
	Chrome	27 838 979-00
	Platinum	27 838 979-08
	Dark Chrome	27 838 979-19
	Brushed Light Gold (PVD)	27 838 979-27
	Brushed Durabrass (23kt Gold)	27 838 979-28
	Matte Black	27 838 979-33
	Brushed Gold (PVD)	27 838 979-37
	Brushed Dark Brass (PVD)	27 838 979-39
	Brushed Bronze (PVD)	27 838 979-42
	Brushed Dark Bronze (PVD)	27 838 979-43
	Brushed Champagne (22kt Gold)	27 838 979-46
	Champagne (22kt Gold)	27 838 979-47
	Brushed Chrome	27 838 979-93
	Brushed Dark Platinum	27 838 979-99

Recommended miscellaneous



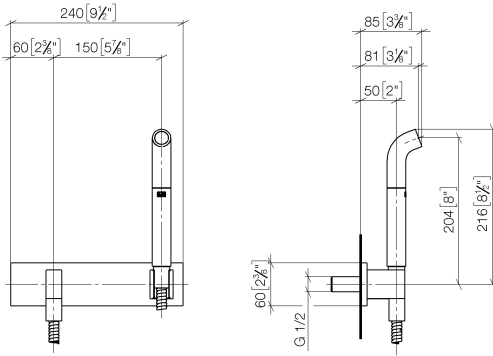
Concealed wall elbow -

35 085 970 90

- min. recess depth 90 mm
- max. recess depth 163 mm

27 838 979 Product version up to 3/2/2021

mm [inches]



Flow rate chart



Codes & Standards

DIN 4109

EN 1717

ISO 3822

Ü-Zeichen



Affusion pipe with cover plate - Brushed Platinum

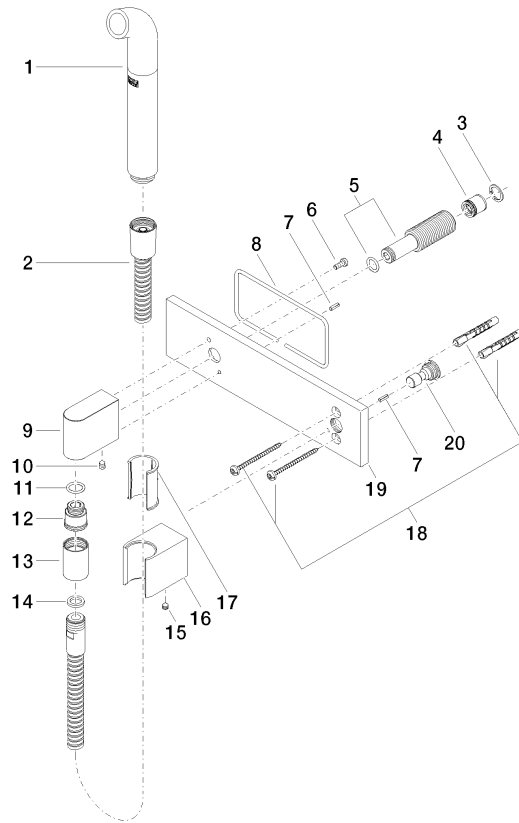
SERIES SPECIFIC

27 838 979 Product version up to 3/2/2021

Certificates and sustainability

Belgaqua_21-023-2 LGA_38

Belgaqua_25-345-2



27 838 979 Product version up to 3/2/2021

Spare parts list

No.	Item Number	Name	Quantity used	Delivery time
2	90 30 02 072 00-06	Metal shower hose 1/2" x 3/8" x 1250 mm - Brushed Stainless Steel / Platinum Matt	1.00	20
12	09 24 03 107 20 90	Nipple Ø 20 x 21,5 mm -	1.00	14
4	09 23 01 046 90	Back-flow preventer 15 l/min. -	1.00	14
5	90 24 03 212 00 90	Nipple Ø 21 x 76 mm -	1.00	14
10	90 31 11 004 00 90	grub screw with hexagon socket M5 x 8 mm -	1.00	14
20	09 24 03 073 90	Nipple Ø 18 x 28 mm -	1.00	14
15	90 31 11 112 00 90	Mounting Threaded pin M5 x 6 mm -	1.00	14
8	09 14 03 127 90	Washer Ø 3 x 300 mm -	1.00	14
19	09 11 02 133-06	eVALVE Rosette 240 x 60 x 9 mm - Brushed Platinum	1.00	-
Spare part can no longer be ordered, please order the replacement item				
7	09 31 11 026 90	Grooved pin Ø 5 x12 mm -	2.00	14
6	09 14 10 008 90	O-Ring 10,0 x 2,0 mm -	1.00	14
16	09 17 20 044-06	Wall bracket Elemental SPA Symetrics - Brushed Platinum	1.00	20
1	04 12 11 073 01-06	Spray for spray set Affusion pipe 31 x 191 x 50 mm - Brushed Platinum	1.00	20
17	09 18 40 078 90	Holder for hand shower Receptacle Ø 27,5 x 40,5 mm -	1.00	14
11	90 14 10 077 00 90	O-Ring EPDM 70 12,0 x 2,0 mm -	1.00	14
13	90 21 02 069 00-06	Cover/sleeve M20 x 1 - Brushed Platinum	1.00	20
9	09 11 03 046-06	Wall elbow - Brushed Platinum	1.00	20
3	09 16 01 014 90	Ring Retaining ring Ø 15 x 1 mm -	1.00	14
18	05 30 31 025 00 90	Mounting Bolt Round head 4,5 x 60 mm -	1.00	14
14	90 14 20 026 00 90	Washer 14 x 8 x 2 mm Centellen WS 3820 -	1.00	14