

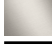






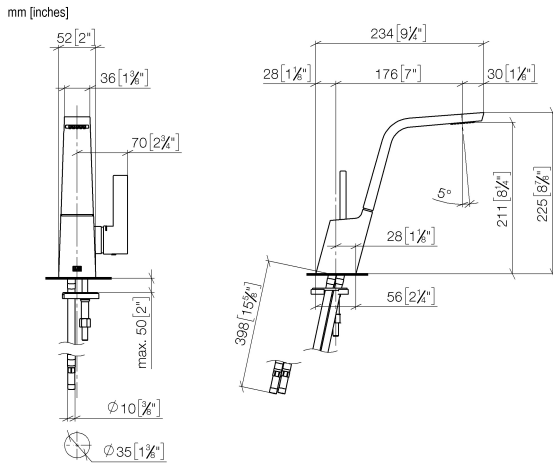
33 521 705 Product version from 3/9/2015 to 5/15/2020



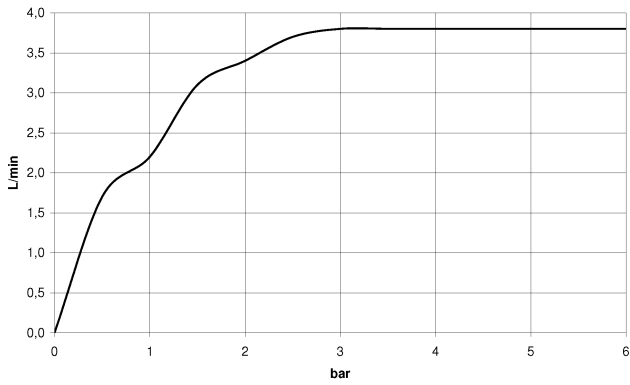
- 173mm projection
- fixed spout
- rectangular spray pattern with 40 individual jets
- height of mixer 226 mm
- base 56 x 52mm
- height up to aerator 212 mm
- hole diameter 35 mm
- 2x screw-in M 8 x 1 pressure hose, leak-tested
- max. flow 4 l/min
- lead-free
- WRAS
- This product can help a building meet the requirements of Green Building Rating Systems, e.g. LEED®, BREEAM®, DGNB

	Brushed Dark Platinum	33 521 705-99
	Chrome	33 521 705-00
	Brushed Platinum	33 521 705-06
	Dark Chrome	33 521 705-19
	Brushed Light Gold (PVD)	33 521 705-27
	Brushed Champagne (22kt Gold)	33 521 705-46
	Champagne (22kt Gold)	33 521 705-47

33 521 705 Product version from 3/9/2015 to 5/15/2020



Flow rate chart



Codes & Standards

DIN 4109

Executive Order
no. 1007

ISO 3822

Scottish Water
Byelaws

UK Water Supply
Regulations

Ü-Zeichen



CL.1 Single-lever basin mixer without pop-up waste - Brushed Dark Platinum

CL.1

33 521 705 Product version from 3/9/2015 to 5/15/2020

Certificates and sustainability

GDV_0400

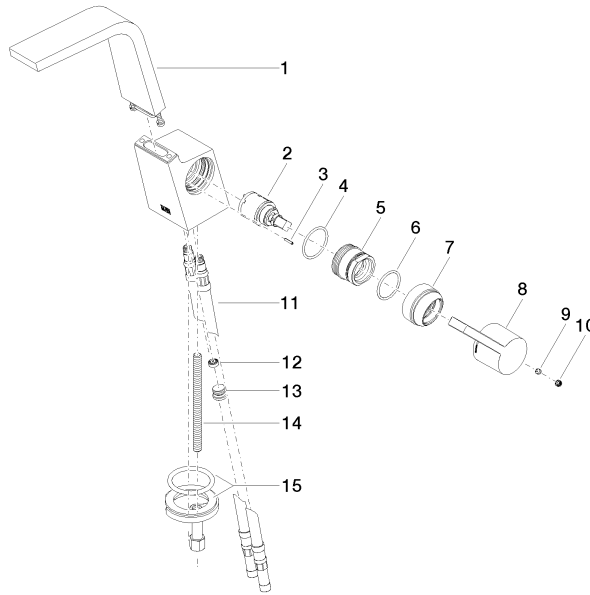
LGA_28

WRAS_1612

EPD-DOR-20230287
-IBA1-EN
Environmental.prod
uct-declarat

33 521 705 Product version from 3/9/2015 to 5/15/2020

Parts for other finishes can be found here: [Chrome](#)



Spare parts list

No.	Item Number	Name	Quantity used	Delivery time
	3 09 31 11 152 90	Roll pin Lightweight type slotted Ø 2 x 10 mm -	1.00	14
	12 09 23 01 034 90	Flow limiter white 4 l/min. -	1.00	14
	7 09 28 30 029-99	Cover Ø 38 x 23 mm - Brushed Dark Platinum	1.00	40
	6 90 14 10 063 00 90	O-Ring EPDM 70 26,0 x 2,0 mm -	1.00	14
	11 04 30 04 018 00 90	High pressure hose M8x1 x 420 mm -	2.00	-
	Spare part can no longer be ordered, please order the replacement item			
	0430041000090	High pressure hose M8x1 x 3/8" x 420 mm -		
	1 90 11 70 001 00-99	Spout 45 x 155 x 170 mm - Brushed Dark Platinum	1.00	40
	8 09 20 67 010-99	Handle Lever 34 x 110 x 40 mm - Brushed Dark Platinum	1.00	40
	15 04 30 11 038 75 90	Mounting with O-ring Ø36 x 4mm Ø 52 x 1,5 mm -	1.00	14
	14 09 31 11 012 90	Mounting Threaded bolt M8 x110 mm -	1.00	14
	2 90 15 05 042 00 90	Cartridge Ø 25 x 52 mm -	1.00	14
	9 90 31 11 030 00 90	Mounting Threaded pin with hexagon socket with cup point M5 x 5 mm -	1.00	14
	13 04 31 20 039 11 90	Plug with O-ring M12 x 1 -	1.00	14
	5 09 24 04 294 90	Mounting Nut Ø 33 x 26,5 mm -	1.00	14
	10 90 31 20 109 00 90	Plug -	1.00	14
	4 09 14 10 137 90	O-Ring EPDM 70 29,0 x 2,0 mm -	1.00	14