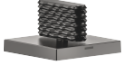


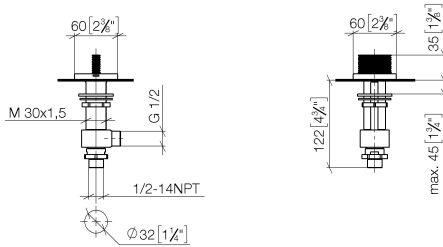
20 002 706 Product version from 3/9/2015

- with CASCADE structure
- hole diameter 32 mm
- with hot marking
- rosette 60 x 60 mm
- WRAS



20 002 706 Product version from 3/9/2015

mm [inches]



Flow rate chart



Codes & Standards

ASME A112.18.1

cUPC

Scottish Water
Byelaws

UK Water Supply
Regulations



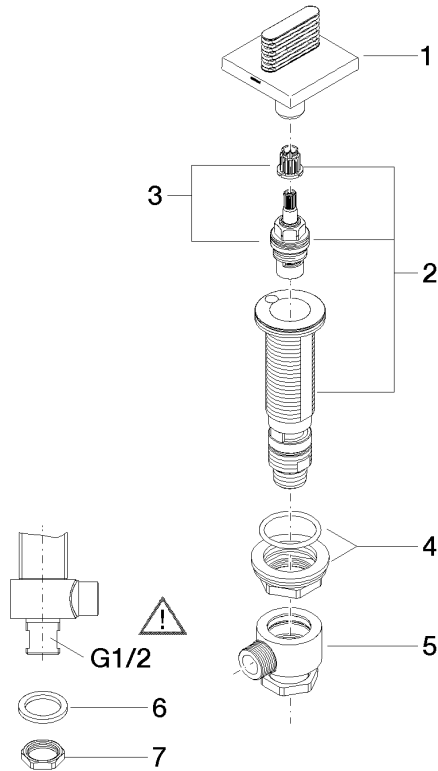
CL.1 Deck valve anti-clockwise closing hot - Brushed Dark Platinum

CL.1

20 002 706 Product version from 3/9/2015

Certificates and sustainability

IAPMO_4976	WRAS_2103	EPD-DOR-20230287 -IBA1-EN Environmental.prod uct-declarat
------------	-----------	--



Spare parts list

No.	Item Number	Name	Quantity used	Delivery time
	2 04 17 11 058 32 90	Side piece anti-clockwise closing, 1/2" -	1.00	14
	4 04 23 10 032 78 90	Mounting with seals M30 x 1,5 -	1.00	14
	5 04 17 11 023 10 90	Connection Distributor, complete 1/2" -	1.00	14
	6 90 23 30 040 00-99	Union piece - Brushed Dark Platinum	1.00	40
	3 90 90 03 132 00 90	Head part anti-clockwise closing extended, 7mm 1/2" -	1.00	14
	1 90 20 70 053 05-99	Handle for bath Hot oval step 60 x 60 x 40 mm - Brushed Dark Platinum	1.00	40
	8 09 23 10 012 90	Mounting Nut SW 24 1/2" -	1.00	14
	7 09 30 11 059 90	Disc -	1.00	14