

CS Wall-Mounted Sheet Steel Enclosures with Mounting Plate



Product Catalog



Powering Business Worldwide



We make what matters work.*

CS Wall-Mounted Sheet Steel Enclosures

CS Wall-Mounted Sheet Steel Enclosures with Mounting Plate	Page 5
Technical features at a glance	Page 6
Enclosure type overview - ordering parts	Page 8
Accessories	Page 10
Technical Data	Page 22
Dimensions (mm)	Page 25
Notes	Page 39

* At Eaton, we believe that power is a fundamental part of just about everything people do. That's why we're dedicated to helping our customers find new ways to manage electrical, hydraulic and mechanical power more efficiently, safely and sustainably. To improve people's lives, the communities where we live and work, and the planet our future generations depend upon. Because this is what really matters. And we're here to make sure it works.

To learn more go to: [Eaton.com/whatmatters](https://www.eaton.com/whatmatters)



We make what matters work.

wa_vt08914

image01-ci



VT12210



Description

Available in 45 sizes ...
from 250x200x150 mm to
1200x1200x250 mm

- The stable CS enclosures series made of solid sheet steel is ideal wherever an effective protection against direct contact with live parts is required. The high degree of protection (IP66) not only provides full protection against most adverse environmental conditions, but also protects the systems and equipment inside the enclosures against their harmful consequences.

- Tightness is guaranteed through a continuously foamed polyurethane sealing. An all-around water drain profile prevents liquids (such as water or oil) and dirt from penetrating when opening the door.
- Shock resistance rating is IK09 according to EN 62262, hence the inside equipment of the enclosures is also protected against mechanical impacts. CS enclosures can be installed as wall-mounted enclosures. A rough-type paint applied in the powder-coating method provides for non-abrasive corrosion protection.

- The door of the enclosure is easy to remove in case any further mechanical work needs to be carried out. Concealed inside hinges according quick-change technology are easy to remove for this purpose and provide for quick and easy reversal of the hinging from left to right and vice-versa.

Technical features at a glance

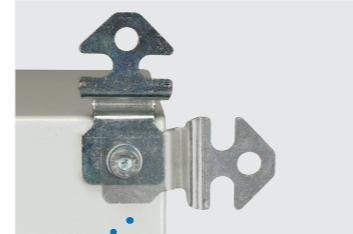
- Water drain profile**
 Prevents liquids (such as water or oil) and dirt from penetrating when opening the door.



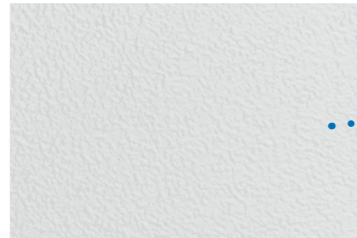
- Stable design of the enclosures**
 Made of high-grade sheet steel. Protection against mechanical impact.



- Wall-mounting brackets**
 For fixing the enclosures on the wall. Mounting in horizontal and vertical direction possible.



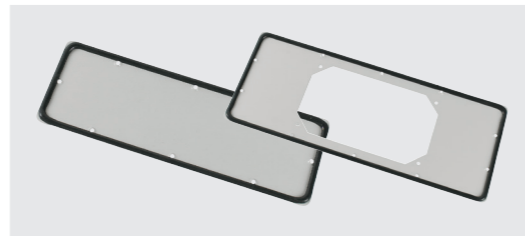
- RAL7035**
 Surface and corrosion protection through a rough-type powder-coating inside and out, RAL 7035.



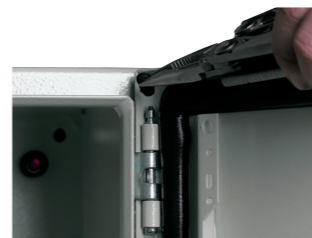
- Mounting plate**
 Galvanized sheet steel 2-3 mm thick for safe installation of switchgear and basic EMC protection.



- Flange plate**
 With coextruded seal, sheet steel for own production. The enclosure can be turned by 180° for cable insertion at the top or bottom.



- Hinge bolt with quick-change technology**
 For quick and easy removal of the door in case of further work to be carried out.



- Foamed sealing**
 Guarantees absolute tightness. IP66 is guaranteed for the entire series.



- Standardized locking system**
 with twist lock. For use with standardized locks.



- Door-hinging**
 Optionally left or right-hinged on either 2 or 3 inside hinges.



Dimensions [mm]		Number of doors	Number of locks	Number of hinges	Door-profiles Number
Height A	Width B				
CS Wall-Mounted Sheet Steel Enclosures with Mounting Plate					
250	200	1	1	2	1
300	200	1	1	2	1
300	300	1	1	2	2
300	300	1	1	2	2
300	400	1	1	2	2
400	300	1	1	2	2
400	300	1	1	2	2
400	400	1	1	2	2
400	400	1	1	2	2
400	600	1	1	2	2
400	600	1	1	2	2
400	600	1	1	2	2



500	400	150	1	2	2	2
500	400	200	1	2	2	2
500	400	250	1	2	2	2
500	500	250	1	2	2	2
600	400	150	1	2	2	2
600	400	200	1	2	2	2
600	400	250	1	2	2	2
600	500	150	1	2	2	2
600	500	200	1	2	2	2
600	500	250	1	2	2	2
600	600	200	1	2	2	2
600	600	250	1	2	2	2
600	600	300	1	2	2	2
600	800	300	1	2	2	2
700	500	200	1	2	2	2
700	500	250	1	2	2	2
800	400	200	1	2	3	2
800	400	250	1	2	3	2
800	600	200	1	2	3	2
800	600	250	1	2	3	2
800	600	300	1	2	3	2
800	800	200	1	2	3	2
800	800	300	1	2	3	2
800	1000	300	1	2	3	2



1000	600	250	1	3P	3	2
1000	600	300	1	3P	3	2
1000	800	250	1	3P	3	2
1000	800	300	1	3P	3	2
1000	1000	300	1	3P	3	2
1200	600	250	1	3P	3	2
1200	800	300	1	3P	3	2
1200	1000	300	1	3P	3	2
1200	1200	250	1	3P	3	2

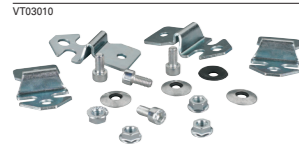
3P: 3-Point-Locking-System

Flange plates number	t1 x t2 [mm]	max. F3A	Dimensions [mm] of mounting plate	Weight [kg] incl. mounting plate	Type Designation	Article No.	Units per package
1	112 x 167	0	220 x 150	3.4	CS-2520/150	111646	1
1	112 x 167	0	270 x 150	3.9	CS-32/150	111647	1
1	112 x 232	0	270 x 250	5.2	CS-33/150	111648	1
1	172 x 262	1	270 x 250	6.1	CS-33/200	111649	1
1	172 x 332	1	270 x 350	7.4	CS-34/200	111680	1
1	112 x 232	0	370 x 250	6.6	CS-43/150	111681	1
1	172 x 262	1	370 x 250	7.6	CS-43/200	111682	1
1	112 x 332	0	370 x 350	8.7	CS-44/150	111683	1
1	172 x 332	1	370 x 350	9.7	CS-44/200	111684	1
1	172 x 532	2	370 x 550	13.4	CS-46/200	111685	1
1	172 x 532	2	370 x 550	14.3	CS-46/250	111686	1
1	172 x 532	2	370 x 550	15.7	CS-46/300	111687	1
1	112 x 332	0	470 x 350	10.1	CS-54/150	111688	1
1	172 x 332	1	470 x 350	10.9	CS-54/200	111689	1
1	172 x 332	1	470 x 350	11.9	CS-54/250	111690	1
1	172 x 432	1	470 x 450	14.5	CS-55/250	111691	1
1	112 x 332	0	570 x 350	12.4	CS-64/150	111692	1
1	172 x 332	1	570 x 350	13.2	CS-64/200	111693	1
1	172 x 332	1	570 x 350	14.5	CS-64/250	111694	1
1	112 x 332	0	570 x 450	15.4	CS-65/150	111695	1
1	172 x 432	1	570 x 450	16.8	CS-65/200	111696	1
1	172 x 432	1	570 x 450	17.1	CS-65/250	111697	1
1	172 x 532	2	570 x 550	21.8	CS-66/200	111698	1
1	172 x 532	2	570 x 550	23.1	CS-66/250	111699	1
1	172 x 532	2	570 x 550	24.5	CS-66/300	111700	1
1	172 x 732	3	570 x 750	34.8	CS-68/300	111701	1
1	172 x 432	1	670 x 450	21.1	CS-75/200	111702	1
1	172 x 432	1	670 x 450	21.6	CS-75/250	111703	1
1	172 x 332	1	770 x 350	21.7	CS-84/200	111704	1
1	172 x 332	1	770 x 350	23.2	CS-84/250	111705	1
1	172 x 532	2	770 x 550	30.2	CS-86/200	111706	1
1	172 x 532	2	770 x 550	32.8	CS-86/250	111707	1
1	172 x 532	2	770 x 550	34.9	CS-86/300	111708	1
1	172 x 732	3	770 x 750	39.0	CS-88/200	111709	1
1	172 x 732	3	770 x 750	42.8	CS-88/300	111710	1
1	172 x 932	3	770 x 950	54.2	CS-810/300	111711	1
1	172 x 532	2	970 x 550	43.3	CS-106/250	111712	1
1	172 x 532	2	970 x 550	45.4	CS-106/300	111713	1
1	172 x 732	3	970 x 750	55.5	CS-108/250	111714	1
1	172 x 732	3	970 x 750	56.1	CS-108/300	111715	1
1	172 x 932	3	970 x 950	68.0	CS-1010/300	111716	1
1	172 x 532	2	1170 x 550	50.2	CS-126/250	111717	1
1	172 x 732	3	1170 x 750	67.7	CS-128/300	111718	1
1	172 x 932	3	1170 x 950	83.2	CS-1210/300	111719	1
2	2x 172 x 532	4	1170 x 1150	94.2	CS-1212/250	111720	1

Material	Type Designation	Article No.	Units per package
----------	------------------	-------------	-------------------

Set of Wall-Mounting Brackets

- For fixing the enclosures on the wall
- Vertical or horizontal mounting
- One set includes 4 wall-mounting brackets plus mounting accessories



Zinc coated steel sheet 3 mm	WFB-SET-CS	112639	1
Bright stainless steel 2 mm	BPZ-WFB-INOX	EP-500555	1

Description	Type Designation	Article No.	Units per package
-------------	------------------	-------------	-------------------

Universal Locks

- Lock plate made of high-grade, shock-proof zinc die-casting
- Lock inserts and lock bolts made of metal
- Colour dusty grey RAL 7037, powder-coated
- For indoor and outdoor applications
- Counternut of metal, with chamfering
- Compatible with standard lock bolts
- For standardized door cut-outs sized 22.5 x 20.4 mm



3 mm two-way key-bit	LC-DBIT3-CS	133102	1
5 mm two-way key-bit	LC-DBIT5-CS	133103	1
Identical locking, lock cylinder with 2 keys	LC-ZSBIT-CS	133104	1

Ease-of-use Rotary Handle

- Rotary handle suitable for standardized profile half-cylinders
- With integrated indication of lock position
- Available as a retro-fitting or complete set
- Handle made of high-grade shock-proof zinc die-casting
- Compatible with all LC-... universal locks
- For standardized door cut-outs sized 22.5 x 20.4 mm
- Colour dusty grey RAL 7037, powder-coated
- Profile half-cylinder to be ordered separately



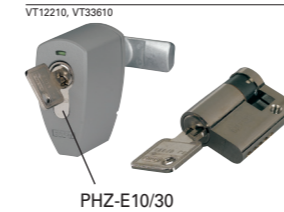
Complete set	PHZ-A-COMP	133105	1
Retro-fitting set	PHZ-A-ADD-ON	133106	1

PHZ-A-COMP
PHZ-A-ADD-ON

Description	Type Designation	Article No.	Units per package
-------------	------------------	-------------	-------------------

Profile Half-Cylinder for Ease-of-use Handles

- For rotary and clip-down ease-of-use handles
- Lock-cylinder finish according to DIN 18252 and DIN EN 1303
- Profile half-cylinder 10/30 with pin closures made of nickel silver
- 8-fold adjustable lock bit, 5 pairs of pins
- Keyed alike or different



1 Key included, keyed alike	PHZ-E10/30-GS	138574	1
3 Keys included, keyed different	PHZ-E10/30-VS	138575	1

Spare Key for Profile Half-Cylinder

- For profile half-cylinder PHZ-E...-GS



Identical locking	KEY-E10/30-GS	138576	4
-------------------	---------------	--------	---

Dimensions Enclosure Depth (mm)	Type Designation	Article No.	Units per package
---------------------------------	------------------	-------------	-------------------

Depth-Adjustment Elements for Mounting Plates

- Depth-adjustable on a 25 mm grid
- Sheet steel, zinc-plated
- Fastening material included



150	DAS-SET/150-CS	138656	1
200	DAS-SET/200-CS	138657	1
250	DAS-SET/250-CS	138658	1
300	DAS-SET/300-CS	138659	1

DAS-SET/...-CS

Thread of screw	Type Designation	Article No.	Units per package
-----------------	------------------	-------------	-------------------

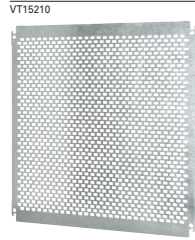
Cage Nuts for Mounting Plates with Punch Holes MPP...

M6	CANU-M6-CS	138710	100
M8	CANU-M8-CS	138711	100



wa_vt29413

Dimensions Enclosure Height x Width (mm)	Mounting Plate Thickness	Type Designation	Article No.	Units per package
Mounting Plate with Punch Holes, for Cage Nuts				
<ul style="list-style-type: none"> Punch holes for cage nuts size M6 or M8 Sheet steel, zinc-plated Fastening material not included 				
250 x 200	2 mm	MPP-2520-CS	138685	1
300 x 200	2 mm	MPP-3020-CS	138686	1
300 x 300	2 mm	MPP-3030-CS	138687	1
300 x 40	2 mm	MPP-3040-CS	138688	1
400 x 300	2 mm	MPP-4030-CS	138689	1
400 x 400	2 mm	MPP-4040-CS	138690	1
400 x 600	2 mm	MPP-4060-CS	138691	1
500 x 400	2 mm	MPP-5040-CS	138692	1
500 x 500	2 mm	MPP-5050-CS	138693	1
600 x 400	2 mm	MPP-6040-CS	138694	1
600 x 500	2 mm	MPP-6050-CS	138695	1
600 x 600	2 mm	MPP-6060-CS	138696	1
600 x 800	3 mm	MPP-6080-CS	138697	1
700 x 500	2 mm	MPP-7050-CS	138698	1
800 x 400	3 mm	MPP-8040-CS	138699	1
800 x 600	3 mm	MPP-8060-CS	138700	1
800 x 800	3 mm	MPP-8080-CS	138701	1
800 x 1000	3 mm	MPP-80100-CS	138702	1
1000 x 600	3 mm	MPP-10060-CS	138703	1
1000 x 800	3 mm	MPP-10080-CS	138704	1
1000 x 1000	3 mm	MPP-100100-CS	138705	1
1200 x 600	3 mm	MPP-12060-CS	138706	1
1200 x 800	3 mm	MPP-12080-CS	138707	1
1200 x 1000	3 mm	MPP-120100-CS	138708	1
1200 x 1200	3 mm	MPP-120120-CS	138709	1



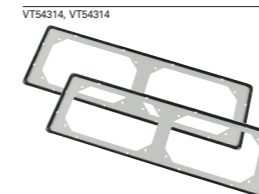
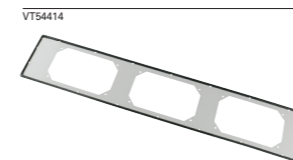
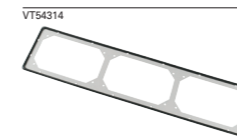
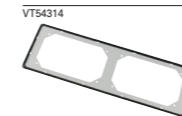
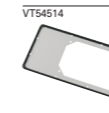
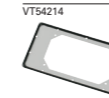
Mounting Plate, without Punch Holes, Galvano Zinc-plated

- Without punch holes, galvano zinc-plated
- Sheet steel
- Fastening material not included

250 x 200	2 mm	MPL-2520-CS	138747	1
300 x 200	2 mm	MPL-3020-CS	138748	1
300 x 300	2 mm	MPL-3030-CS	138749	1
300 x 400	2 mm	MPL-3040-CS	138750	1
400 x 300	2 mm	MPL-4030-CS	138751	1
400 x 400	2 mm	MPL-4040-CS	138752	1
400 x 600	2 mm	MPL-4060-CS	138753	1
500 x 400	2 mm	MPL-5040-CS	138754	1
500 x 500	2 mm	MPL-5050-CS	138755	1
600 x 400	2 mm	MPL-6040-CS	138756	1
600 x 500	2 mm	MPL-6050-CS	138757	1
600 x 600	2 mm	MPL-6060-CS	138758	1
600 x 800	3 mm	MPL-6080-CS	138759	1
700 x 500	2 mm	MPL-7050-CS	138760	1
800 x 400	3 mm	MPL-8040-CS	138761	1
800 x 600	3 mm	MPL-8060-CS	138762	1
800 x 800	3 mm	MPL-8080-CS	138763	1
800 x 1000	3 mm	MPL-80100-CS	138764	1
1000 x 600	3 mm	MPL-10060-CS	138765	1
1000 x 800	3 mm	MPL-10080-CS	138766	1
1000 x 1000	3 mm	MPL-100100-CS	138767	1
1200 x 600	3 mm	MPL-12060-CS	138768	1
1200 x 800	3 mm	MPL-12080-CS	138769	1
1200 x 1000	3 mm	MPL-120100-CS	138770	1
1200 x 1200	3 mm	MPL-120120-CS	138771	1



For enclosure dimensions Width (mm)	Number of flange	Suitable for	Type Designation	Article No.	Units per package
Bottom Panels with F3A Flange Openings					
<ul style="list-style-type: none"> Not suitable for CS-.../150 enclosures For F3A-... flanges With foam sealant, max. degree of protection is IP66 if correctly used with F3A-... Material: Sheet steel, powder-coated RAL 7035 Can also be used as a top panel if the enclosure is turned by 180° 					
300	1	CS-33/200 CS-43/200	AFP-3-CS	112914	1
400	1	CS-34/200 CS-44/200 CS-54/200 CS-54/250 CS-64/200 CS-64/250 CS-84/200 CS-84/250	AFP-4-CS	112915	1
500	1	CS-55/250 CS-65/200 CS-65/250 CS-75/200 CS-75/250	AFP-5-CS	112916	1
600	2	CS-46/200 CS-46/250 CS-46/300 CS-66/200 CS-66/250 CS-66/300 CS-86/200 CS-86/250 CS-86/300 CS-106/250 CS-106/300 CS-126/250	AFP-6-CS	112917	1
800	3	CS-68/300 CS-88/200 CS-88/300 CS-108/250 CS-108/300 CS-128/300	AFP-8-CS	112918	1
1000	3	CS-810/300 CS-1010/300 CS-1210/300	AFP-10-CS	112919	1
1200	2x2	CS-1212/250	AFP-12-CS	112920	1



Dimensions Enclosure t1 x t2 (mm)	Type Designation	Article No.	Units per package
--------------------------------------	---------------------	-------------	----------------------

Bottom Panels without Openings

- Degree of protection of the enclosure IP66
- With foam sealant all around
- Powder-coated RAL 7035



112 x 167	SFP-112X182-CS	138738	1
112 x 232	SFP-112X232-CS	138739	1
112 x 332	SFP-112X332-CS	138740	1
172 x 262	SFP-172X262-CS	138741	1
172 x 332	SFP-172X332-CS	138742	1
172 x 432	SFP-172X432-CS	138743	1
172 x 532	SFP-172X532-CS	138744	1
172 x 732	SFP-172X732-CS	138745	1
172 x 932	SFP-172X932-CS	138746	1

Length (mm)	Type Designation	Article No.	Units per package
----------------	---------------------	-------------	----------------------

Set of Lifting Eyebolts and Profile Brackets

- As a re-enforcement of the inside enclosure, to accommodate the lifting eyebolts
- Lifting eyebolts with an M12 thread
- Profile brackets made of stable, 3 mm thick sheet steel
- IP66 degree of protection is maintained
- Each set includes 2 lifting eyebolts, profile brackets and seals

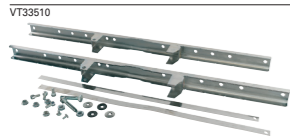


135	TOR-SET/135-CS	140479	2
-----	----------------	--------	---

Dimensions Enclosure Width (mm)	Type Designation	Article No.	Units per package
------------------------------------	---------------------	-------------	----------------------

Material for Fixing on a Mast

- For fixing on round or square masts
- Set consisting of profile rail, tensioning strap and tensioning screw
- Sheet steel, zinc-plated, tensioning strap made of stainless steel
- For mast diameters of 150 to 215 mm

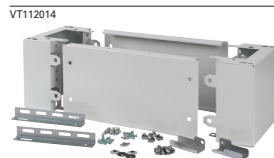


300	MAST-FIT-CS	140478	1
400			
500			
600			
800			

Dimensions Enclosure Width x Depth (mm)	Type Designation	Article No.	Units per package
--	---------------------	-------------	----------------------

Cable Interconnect Base

- Height 200 mm
- Sheet steel, powder-coated RAL 7035
- Front and side panels can be removed
- Fastening material is included
- Cable strain relief rail is not included in the scope of delivery



600 x 250	PLI-6/250-200-CS	140472	1
600 x 300	PLI-6/300-200-CS	140473	1
800 x 250	PLI-8/250-200-CS	140474	1
800 x 300	PLI-8/300-200-CS	140475	1
1000 x 300	PLI-10/300-200-CS	140476	1
1200 x 250	PLI-12/250-200-CS	140477	1

Dimensions Enclosure Height x Width (mm)	Type Designation	Article No.	Units per package
---	---------------------	-------------	----------------------

Doors with an Inspection Glass

- Degree of protection of the enclosure IP66
- Frame made of sheet steel, powder-coated, safety inspection glass
- Without hinges, without lock



250 x 200	DT-2520-CS	140480	1
300 x 200	DT-3020-CS	140481	1
300 x 300	DT-3030-CS	140482	1
300 x 40	DT-3040-CS	140483	1
400 x 300	DT-4030-CS	140484	1
400 x 400	DT-4040-CS	140485	1
400 x 600	DT-4060-CS	140486	1
500 x 400	DT-5040-CS	140487	1
500 x 500	DT-5050-CS	140488	1
600 x 400	DT-6040-CS	140489	1
600 x 500	DT-6050-CS	140490	1
600 x 600	DT-6060-CS	140491	1
600 x 800	DT-6080-CS	140492	1
700 x 500	DT-7050-CS	140493	1
800 x 400	DT-8040-CS	140494	1
800 x 600	DT-8060-CS	140495	1
800 x 800	DT-8080-CS	140496	1
800 x 1000	DT-80100-CS	140497	1
1000 x 600	DT-10060-CS	140498	1
1000 x 800	DT-10080-CS	140499	1
1000 x 1000	DT-100100-CS	140500	1
1200 x 600	DT-12060-CS	140501	1
1200 x 800	DT-12080-CS	140502	1
1200 x 1000	DT-120100-CS	140503	1
1200 x 1200	DT-120120-CS	140504	1

Doors (without inspection glass)

- Degree of protection of the enclosure IP66
- Sheet steel, powder-coated
- Without hinges, without lock

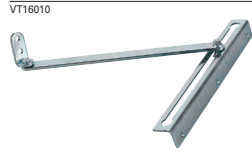


250 x 200	DS-2520-CS	140505	1
300 x 200	DS-3020-CS	140506	1
300 x 300	DS-3030-CS	140507	1
300 x 40	DS-3040-CS	140508	1
400 x 300	DS-4030-CS	140509	1
400 x 400	DS-4040-CS	140510	1
400 x 600	DS-4060-CS	140511	1
500 x 400	DS-5040-CS	140512	1
500 x 500	DS-5050-CS	140513	1
600 x 400	DS-6040-CS	140514	1
600 x 500	DS-6050-CS	140515	1
600 x 600	DS-6060-CS	140516	1
600 x 800	DS-6080-CS	140517	1
700 x 500	DS-7050-CS	140518	1
800 x 400	DS-8040-CS	140519	1
800 x 600	DS-8060-CS	140520	1
800 x 800	DS-8080-CS	140521	1
800 x 1000	DS-80100-CS	140522	1
1000 x 600	DS-10060-CS	140523	1
1000 x 800	DS-10080-CS	140524	1
1000 x 1000	DS-100100-CS	140525	1
1200 x 600	DS-12060-CS	140526	1
1200 x 800	DS-12080-CS	140527	1
1200 x 1000	DS-120100-CS	140528	1
1200 x 1200	DS-120120-CS	140529	1

Dimensions Enclosure Width (mm)	Type Designation	Article No.	Units per package
---------------------------------	------------------	-------------	-------------------

Door Arrestor

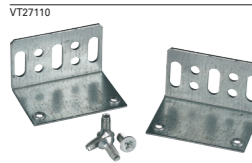
- To stop a door in a defined position
- Sheet steel, zinc-plated
- Fastening material included



500	DOOR-RET-CS	138737	1
600			
800			
1000			
1200			

Universal Brackets for Door Contact Switches, Cable Duct Holders

- For fixing door contact switches or cable duct holders
- Sheet steel, zinc-plated



300	UNI-BRA-CS	140535	2
400			
500			
600			
800			
1000			
1200			

Type Designation	Article No.	Units per package
------------------	-------------	-------------------

Quick-C Hinge Pin

- With Quick-Change system, for removal without the need of using any tools



QUICK-C-CS	138773	6
------------	--------	---

Mounting Brackets, inclined

- For mounting TS35X7.5 or TS35X15 support rails in an inclined position
- Sheet steel, zinc-plated



TS1-BRA-CS	138772	50
------------	--------	----

Dimensions Enclosure Width (mm)	Type Designation	Article No.	Units per package
---------------------------------	------------------	-------------	-------------------

Mounting Webs for Door Profile Bars and Cable Ducts

- For fixing on vertical door profiles
- For screw-less mounting of KL... cable ducts by snapping cable duct covers onto the rear
- M6 fixing holes every 25 mm
- Sheet steel, zinc-plated



300	MTR-D3-CS	140530	2
400	MTR-D4-CS	140531	2
500	MTR-D5-CS	140532	2
600	MTR-D6-CS	140533	2
800	MTR-D8-CS	140534	2

Supplied in lengths of mm	Cable carrying capacity. Max. no. of cables (approximate)	Type and cross-section H O... V-K mm²	Type Designation	Article No.	Units per package
---------------------------	---	---------------------------------------	------------------	-------------	-------------------

Cable Support Brackets

- Can be used in KL25/35 (K) cable ducts, screw fixing

15	4	KH25/35	078974	20
----	---	---------	--------	----

For cable ducts	Type Designation	Article No.	Units per package
-----------------	------------------	-------------	-------------------

Clamping Brackets

KL25/...: Fixing interval: ≤ 500 mm	KK25	081347	100
-------------------------------------	------	--------	-----

K60/60: Fixing interval: ≤ 300 mm	KK60	083720	100
-----------------------------------	------	--------	-----

Positioning of the slots	Dimensions (mm) Height	Width	Type Designation	Article No.	Units per package
--------------------------	------------------------	-------	------------------	-------------	-------------------

Ventilation Louvers

- For direct fixing on the base body of the enclosures
- Material: Sheet steel, powder-coated RAL7035
- Fastening material included in the delivery
- Degree of protection IP23

Vertical	157	105	LVP-20V12-CS	112907	1
Vertical	180	130	LVP-30V15-CS	112909	1
Horizontal	164	105	LVP-20H12-CS	112908	1
Horizontal	250	130	LVP-30H15-CS	112910	1

Type Designation	Article No.	Units per package
------------------	-------------	-------------------

Earthing set for Door

- Cross section 6 mm²
- Assembly accessories included

BFZ-DES	101665	1
---------	--------	---

Description	Type Designation	Article No.	Units per package
-------------	------------------	-------------	-------------------

Circuit Diagram Bag

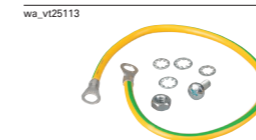
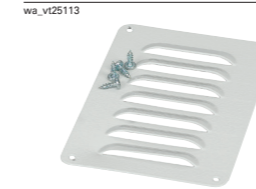
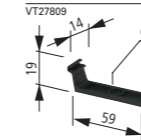
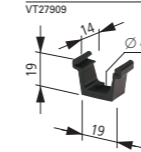
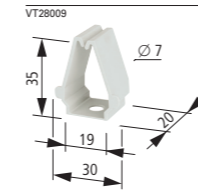
- Made of insulating material, fixing by self-sticker, RAL 7035 light gray

DIN A4 crosswise	SPT4	002275	1
DIN A5 crosswise	SPT5	002276	1
DIN A6 crosswise	SPT6	002277	1

Colour	Type Designation	Article No.	Units per package
--------	------------------	-------------	-------------------

Flask with Brush Applicator


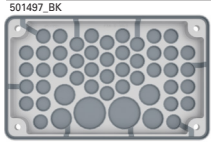
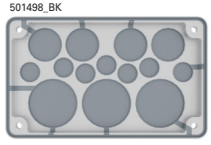
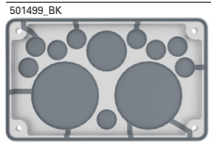
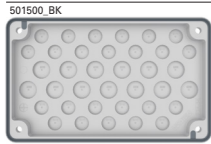
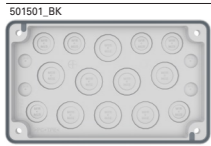
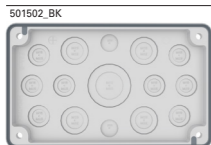

RAL 7035	BPZ-CPS-7035	286771	1
----------	--------------	--------	---



Description	Type Designation	Cat. No.	Units per package
-------------	------------------	----------	-------------------

F3A-2K Flanges


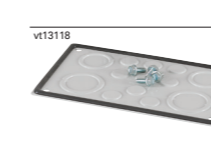


- For IP55 applications, used for all type of distribution boards
- NEW flange series based on 2-component-technology
- Material compound of polyamide (PA - RAL 7035) and thermoplastic elastomer (TPE - RAL 7001)

 501496_BK	Blind flange without knock-outs	F3A-2K-0	EP-501496	1
 501497_BK	Membrane flange (push-through cable entry) 44 cables Ø 3-14mm 4 cables Ø 3-21mm 2 cables Ø 3-30mm	F3A-2K-D30/3	EP-501497	1
 501498_BK	Membrane flange (push-through cable entry) 7 cables Ø 3-20mm 4 cables Ø 3-32mm 3 cables Ø 3-50mm	F3A-2K-D50/3	EP-501498	1
 501499_BK	Membrane flange (push-through cable entry) 9 cables Ø 3-20mm 1 cable Ø 3-40mm 2 cables Ø 3-70mm	F3A-2K-D70/3	EP-501499	1
 501500_BK	Blind flange with knock-outs 24 cable glands M16 13 cable glands M20	F3A-2K-M20/16	EP-501500	1
 501501_BK	Blind flange with knock-outs 4 cable glands M16 6 cable glands M25/16 8 cable glands M32/20	F3A-2K-M32/16	EP-501501	1
 501502_BK	Blind flange with knock-outs 2 cable glands M20 8 cable glands M25/16 4 cable glands M32/20 1 cable gland M50/32	F3A-2K-M50/16-1	EP-501502	1
 501503_BK	Blind flange with knock-outs 2 cable glands M16 12 cable glands M20 2 cable glands M40/25 2 cable glands M50/32	F3A-2K-M50/16-2	EP-501503	1

Description	Colour	Type Designation	Cat. No.	Units per package
-------------	--------	------------------	----------	-------------------

F3A-XP Flanges

- For IP55 applications, used for all type of distribution boards
- Metal flange plates, powder-coated sheet steel 2 mm, RAL 7035

 v09208		Blind flange sheet-steel	F3A-XP	113426	1
 vt13118		Steel sheet with knockouts 9xM20, 2xM40/M32, 2xM50/M40	F3A-XP-M50/40	187862	1
 vt13018		Steel sheet with knockouts 10xM16, 12xM20	F3A-XP-M20/16	187863	1
 v06320		Steel sheet with membrane flange insert made of thermoplastic elastomer (TPE) 9 cables ø 18-30 mm 4 cables ø 10-15 mm 4 cables ø 5-10mm	F3A-XP-2K/17	300956	1

Sheet metal flange plate as a ventilation hood

- For IP30 applications

 VT28210		Flange with ventilating	F3A-V	149194	1
--	--	-------------------------	-------	--------	---

Adapter plate for external cable entry boxes

- Standard boxes type CI-KST32/34 of Ci-assortment (incl. accessories) can be used
- Especially to terminate bigger incoming cables outside of the cabinet to keep required space for modular units / devices internally
- For IP55 applications

 v04618		Flange with sealing	F3A-KST32/34	193692	1
---	--	---------------------	--------------	--------	---

Cable Insertion	Hole Diameter mm	Outer Cable Diameter mm	Use of Cable NYM/NYY, 4-wire mm ²	Type Designation	Article No.	Units per package
Membrane Grommets - Metric						
<ul style="list-style-type: none"> • IP66, with integrated insertion membrane • PE and thermoplastic elastomer, halogen-free, silicone-free 						
M16	16.5	1-9	H03VV-F 3 x 0.75 mm ² . NYM 1 x 16 / 3 x 1.5 mm ²	KT-M16	216983	100
M20	20.5	1-13	H03VV-F 3 x 0.75 mm ² . NYM 5 x 1.5 / 5 x 2.5 mm ²	KT-M20	207602	100
M25	25.5	1-18	H03VV-F 3 x 0.75 mm ² . NYM 4 x 10 mm ²	KT-M25	207603	100
M32	32.5	1-25	H03VV-F 3 x 0.75 mm ² . NYM 4 x 16 / 5 x 10 mm ²	KT-M32	207604	100



Cable Glands - Metric, according to EN 50262

- IP68 up to 5 bar, polyamide, halogen-free
- Fire classification V2 according to UL94
- Colour RAL 7035

Cable glands, metric, with counternut and integrated strain relief

M12	12.5	3-7	H03VV-F 3 x 0.75 mm ² . NYM 1 x 2.5 mm ²	V-M12	215078	20
M16	16.5	4,5-10	H03VV-F 3 x 1.5 mm ² . NYM 1 x 16 / 3 x 1.5 mm ²	V-M16	215077	20
M20	20.5	6-13	H05VV-F 4 x 2.5 / 3 x 4 mm ² . NYM 5 x 1.5 / 5 x 2.5 mm ²	V-M20	206910	20
M25	25.5	9-17	H05VV-F 5 x 2.5 / 5 x 4 mm ² . NYM 5 x 2.5 / 5 x 6 mm ²	V-M25	206911	20
M32	32.5	13-21	NYM 5 x 10 mm ²	V-M32	206912	10
M40	40.5	16-28	NYM 5 x 16 mm ²	V-M40	209668	10
M50	50.5	21-35	NYM 4 x 35 / 5 x 25 mm ²	V-M50	206913	5
M63	63.5	34-48	NYM 4 x 35 mm ²	V-M63	214835	3



Multiple Sealing, Metric, for Cable Glands V-M...

M25	–	4 x 5-6	H03VV-F 2 x 0.75 / 3 x 0.75 mm ²	MFD25	215451	25
M32	–	4 x 3.5-7	H03VV-F 4 x 0.75 mm ²	MFD32	215452	25



Sealing Plugs for Spare Openings in Multiple Sealing MFD...

M25	–	–	–	MFV25-6	215453	50
M32	–	–	–	MFV32-7	215454	50



Cable Grommets for PG

- For a wall thickness of 2-8 mm
- Colour RAL 7035
- Plasticised PVC, cadmium- and lead free
- IP66, cable insertion from bottom

PG13.5	21.5	7-16	1.5-4	KT13,5	019658	1
PG16	23.5	7-17	1.5-10	KT16	022031	1
PG21	29.5	12.5-20	1.5-16	KT21	026777	1
PG29	38	12.5-31	1.5-35	KT29	029150	1
PG36	48	18-40	10-70	KT36	033896	1
PG42	55	18-47	10-95	KT42	038642	1



Cable Insertion	Hole Diameter mm	Outer Cable Diameter mm	Use of Cable NYM/NYY, 4-wire mm ²	Type Designation	Article No.	Units per package
Cable Grommets						
<ul style="list-style-type: none"> • For a panel thickness of 2 to 3 mm • Colour RAL 7035 • Plasticised PVC • IP66, cable insertion from bottom 						
–	58	14-54	–	KT3	031523	2
–	75	14-68	–	KT4	036269	3



Cable Gland for Ventilation IP69K

- Colour RAL 7035

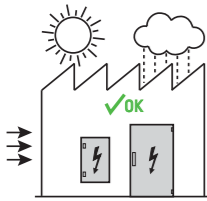
M20	20.5	6-13	H05VV-F 4 x 2.5 / 3 x 4 mm ² . NYM 5 x 1.5 / 5 x 2.5 mm ²	V-M20-VENT	120814	1
-----	------	------	--	------------	--------	---



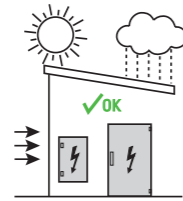
Technical Data

CS	
General information	
Standards and regulations	IEC/EN 62208, UL508A (E336299)
RoHS	In accordance with regulation 2011/65/EU of the European Parliament and of the Council
Climatic resistance	Moist heat, constant according to IEC 60068-2-78, Moist heat, periodic according to IEC 60068-2-30
Ambient temperature	-25 to +40 °C
Degree of protection	IP66
Degree of protection with ventilation panels	IP23
Set-up locations	See notes below ¹⁾
Incorporation grid	25
Dissipated power loss	See separate table
Material	
Material	Sheet steel
Surface finish	Structured powder-coating on Polyester base
Colour	RAL 7035, light grey
Surface	Slightly structured
Degree of gloss	Glossy
Body	≤ CS-65/...: 1.2 mm; ≥ CS-66/...: 1.5 mm
Mounting plate	2 mm; as of height 800 x width 400 mm: 3 mm
Door	≤ CS-43/...: 1.0 mm; ≤ CS-64/...: 1.2 mm; ≤ CS-88/...: 1.5 mm; ≤ CS-1212/...: 2.0 mm
Bottom panel	2.0 mm
Material properties	
Shock-resistance rating	IK09 according to EN 62262
Assembly weight - entire cabinet	See separate table
Assembly weight - door	See separate table
Assembly weight - dounting plate	See separate table
Assembly weight - wall-mounting brackets	See separate table
Description/Basic equipment	
Type of construction	Folded and seam-welded, 2 M6 threaded bolts are included for protective conductor connection inside the enclosure
Rear panel	9 mm holes for wall-fixing
Side panels	No holes
Deckplatte	No holes
Bottom panel	No holes, foam sealant, removable for F3A-... flanges or for customized solutions
Mounting plate	Basic equipment, sheet steel, sendzimir zinc-plated. 15 mm clearance to rear panel. Mounted onto M8 copper thread-welding bolt. Therefore an additional protective conductor connection is not compulsory.
Door	1x M6 thread-welding bolt for protective conductor connections in the door. Where electrical operating material needs to be integrated in the door, a consistent and permanent protective conductor connection needs to be established by means of a protective conductor cable. Please use the thread-welding bolts on the door and on the side panel of the body as connecting points.
Door hinges	Right side, can be reversed on-site
Door opening angle	120°
Locking system	Metal turnbuckle. Standard lock. 3 mm two-way key-bit.
Locks	Number of locks see Ordering Section
General information	
Load of wall-mounting	500 kg with vertically and horizontally fixed mounting brackets, symmetrical load
Material plastic	halogen-free
Resistance of plastics to glow wire	650 °C

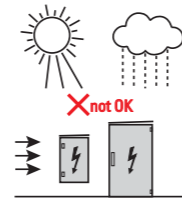
1)



Indoor location
The enclosure must be permanently protected from the rays of the sun and the weather, like wind or rain.






Outdoor location protected
The enclosure must be permanently protected from the rays of the sun and the weather, like wind or rain.

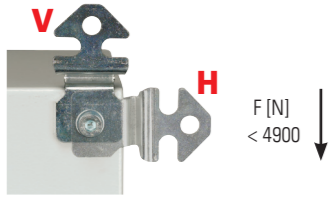


Outdoor location unprotected
The enclosure is not intended to be used within these location.

Maximum assembly weight

	Max. kg Enclosure	Max. kg Mounting plate	Max. kg Door
			
CS-2520/150	150	125	25
CS-32/150	150	125	25
CS-33/150	150	125	25
CS-33/200	150	125	25
CS-34/200	175	150	25
CS-43/150	175	150	25
CS-43/200	175	150	25
CS-44/150	225	200	25
CS-44/200	225	200	25
CS-46/200	225	200	25
CS-46/250	225	200	25
CS-46/300	225	200	25
CS-54/150	225	200	25
CS-54/200	225	200	25
CS-54/250	225	200	25
CS-55/250	225	200	25
CS-64/150	225	200	25
CS-64/200	225	200	25
CS-64/250	225	200	25
CS-65/150	275	250	25
CS-65/200	275	250	25
CS-65/250	275	250	25
CS-66/200	275	250	25
CS-66/250	275	250	25
CS-66/300	275	250	25
CS-68/300	275	250	25
CS-75/200	275	250	25
CS-75/250	275	250	25
CS-84/200	325	300	25
CS-84/250	325	300	25
CS-86/200	325	300	25
CS-86/250	325	300	25
CS-86/300	325	300	25
CS-88/200	325	300	25
CS-88/300	325	300	25
CS-810/300	390	350	40
CS-106/250	390	350	40
CS-106/300	390	350	40
CS-108/250	390	350	40
CS-108/300	390	350	40
CS-1010/300	390	350	40
CS-126/250	390	350	40
CS-128/300	390	350	40
CS-1210/300	390	350	40
CS-1212/250	390	350	40

Maximum assembly weight per set

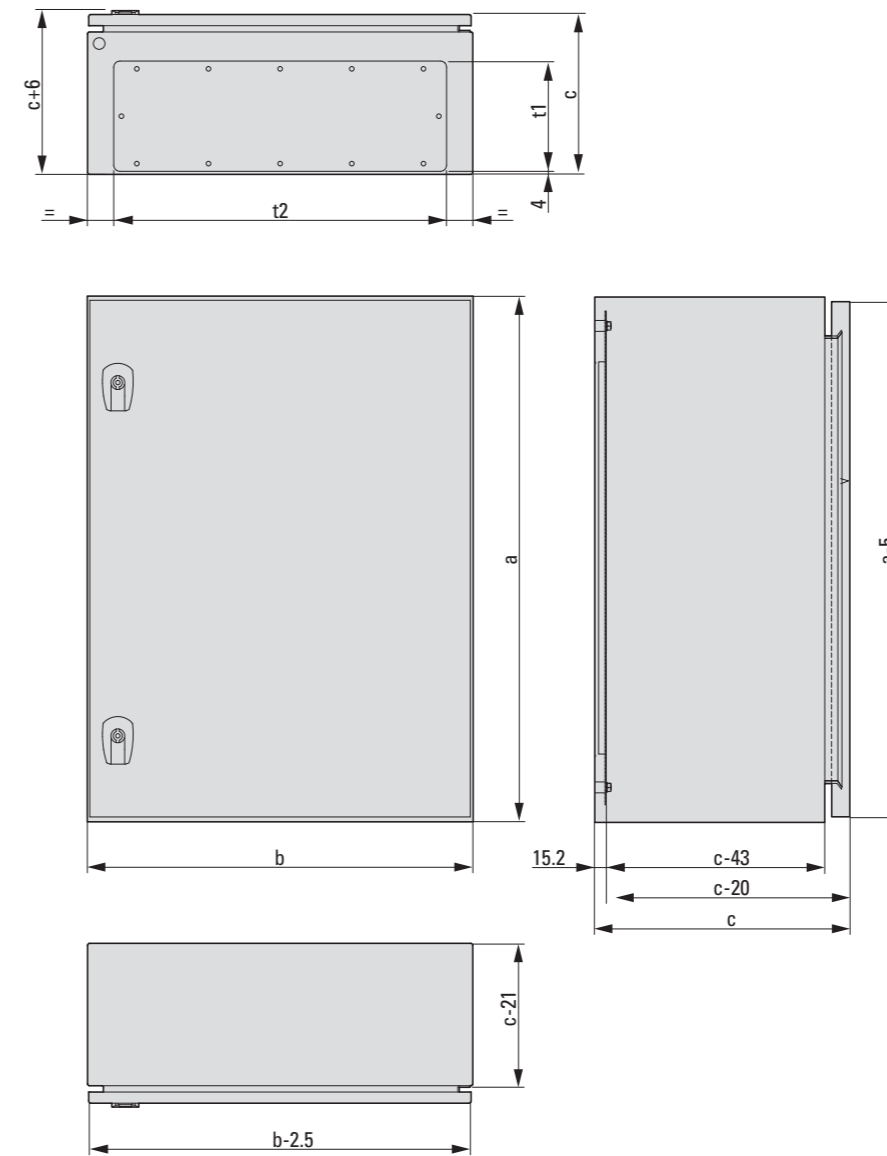
Adjustment of bracket	Symmetrical load	n brackets	Position of bracket
	500 kg	4	top and bottom

Amount of power loss to be dissipated

Amount of power loss to be dissipated (heat) P_V [W] for all-over closed, wall-mounted Eaton CS sheet steel enclosures without internal separations.
 Example: Max. ambient temperature 35 °C; excess temperature $\Delta T = 20$ K; relative humidity = 75 %.

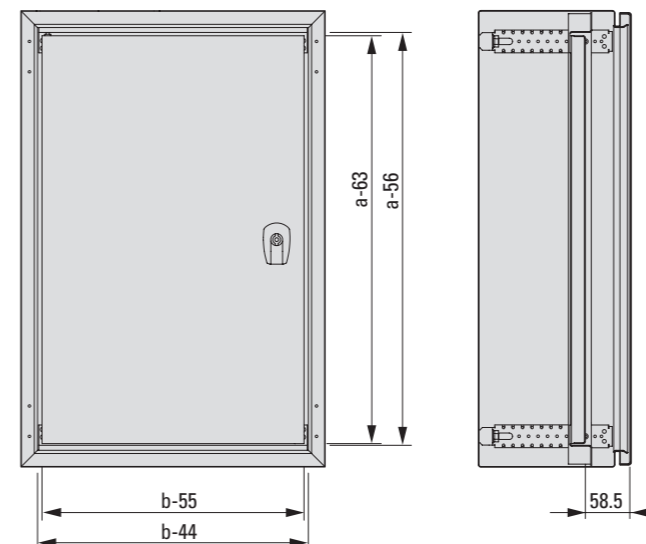
Type	Max. power loss P_V Single wall-mounted enclosure	Max. power loss P_V First wall-mounted enclosure	Max. power loss P_V Wall-mounted enclosure in the center
CS-2520/150	11 W	10 W	9 W
CS-32/150	13 W	11 W	10 W
CS-33/150	16 W	15 W	14 W
CS-33/200	19 W	18 W	16 W
CS-34/200	23 W	22 W	21 W
CS-43/150	21 W	19 W	18 W
CS-43/200	24 W	22 W	20 W
CS-44/150	25 W	24 W	22 W
CS-44/200	29 W	27 W	25 W
CS-54/150	30 W	28 W	27 W
CS-54/200	35 W	32 W	30 W
CS-46/200	39 W	37 W	35 W
CS-46/250	44 W	42 W	39 W
CS-46/300	49 W	46 W	43 W
CS-54/250	39 W	36 W	33 W
CS-55/250	45 W	42 W	39 W
CS-64/150	35 W	33 W	31 W
CS-64/200	40 W	37 W	34 W
CS-65/150	42 W	39 W	37 W
CS-65/200	47 W	44 W	41 W
CS-64/250	45 W	42 W	38 W
CS-65/250	55 W	49 W	45 W
CS-66/200	54 W	51 W	48 W
CS-66/250	60 W	56 W	52 W
CS-66/300	65 W	61 W	57 W
CS-68/300	81 W	76 W	72 W
CS-75/200	53 W	50 W	47 W
CS-75/250	59 W	55 W	51 W
CS-84/200	51 W	47 W	44 W
CS-84/250	57 W	53 W	48 W
CS-86/200	68 W	64 W	60 W
CS-86/300	82 W	76 W	70 W
CS-88/200	85 W	81 W	77 W
CS-86/250	75 W	70 W	65 W
CS-88/300	101 W	95 W	89 W
CS-810/300	120 W	113 W	108 W
CS-106/250	91 W	85 W	79 W
CS-106/300	99 W	91 W	84 W
CS-108/250	112 W	106 W	100 W
CS-108/300	121 W	113 W	106 W
CS-1010/300	143 W	136 W	128 W
CS-126/250	106 W	99 W	92 W
CS-128/300	141 W	132 W	123 W
CS-1210/300	166 W	158 W	149 W
CS-1212/250	180 W	173 W	166 W

CS Wall-mounted Enclosure with door and blind flanges



Doors for internal separation

DI-...-CS



Note:
Please refer to selection page xx for A, B, C, t1, t2 values

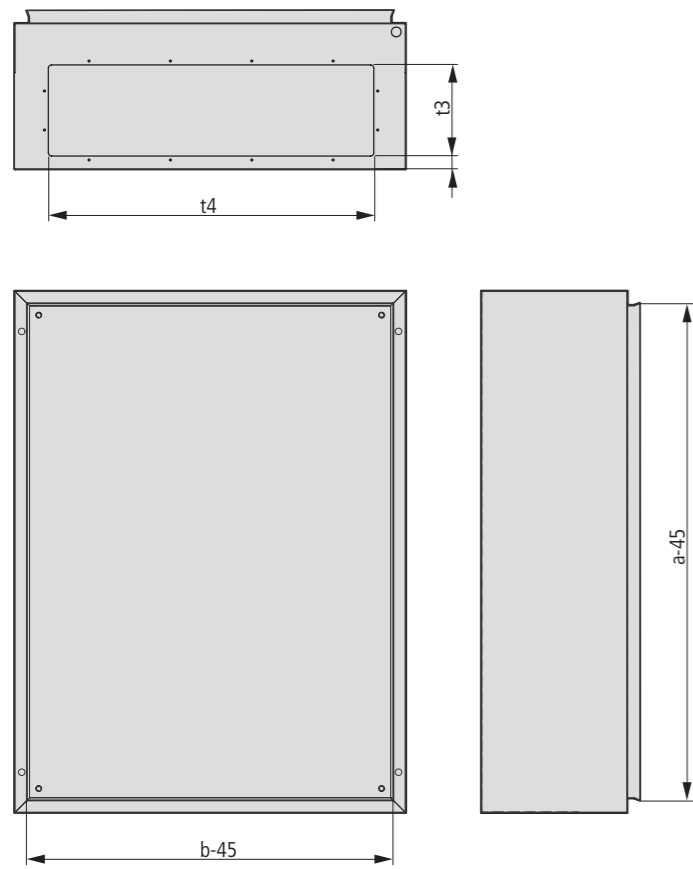
1.26

CS Wall-Mounted Sheet Steel Enclosures

Dimensions (mm)

xEffect

CS Wall-mounted Enclosure without door, without blind flanges



xEffect

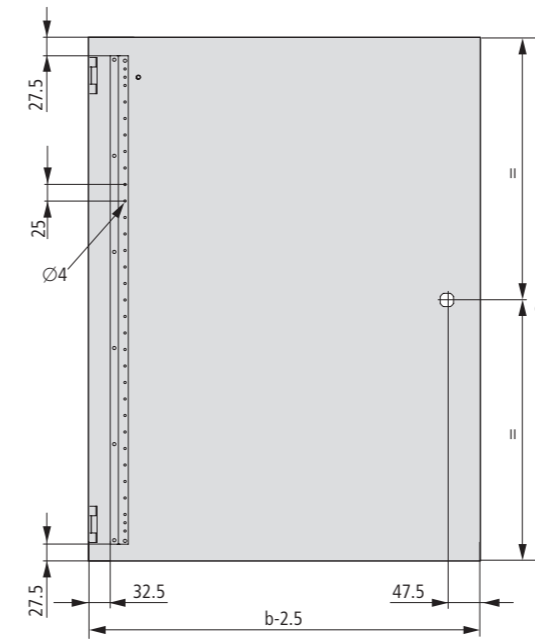
CS Wall-Mounted Sheet Steel Enclosures

Dimensions (mm)

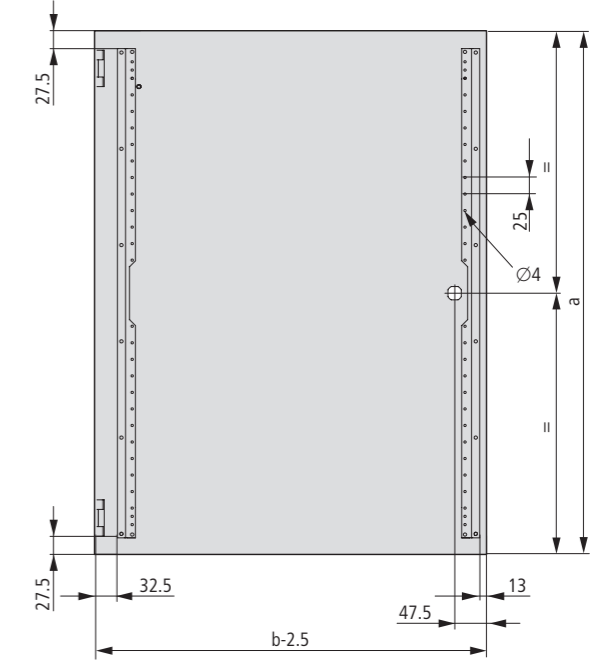
1.27

Doors

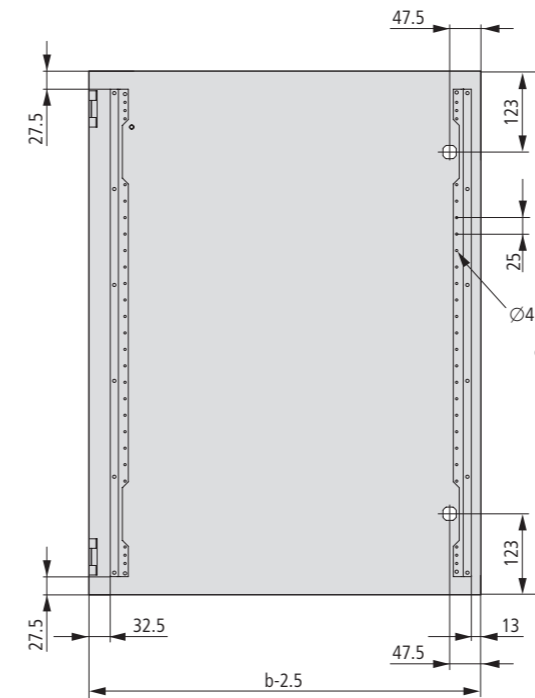
CS-2520/150, CS-32/150
DS-2520-CS, DS-3020-CS



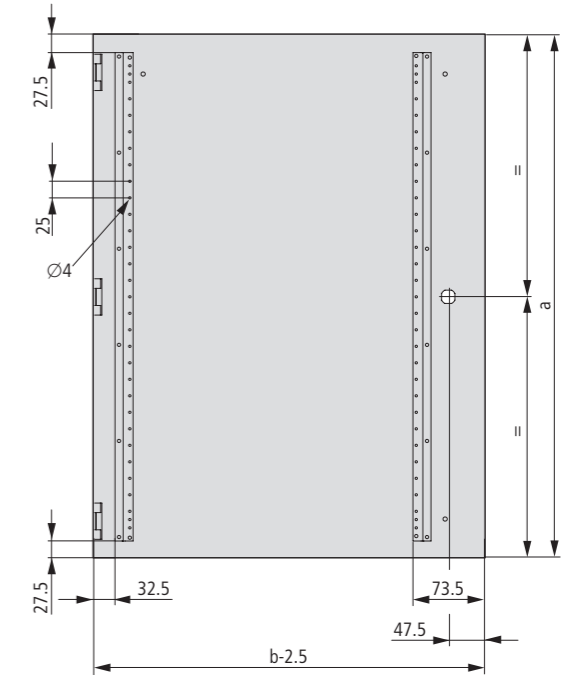
CS-33/..., CS-34/..., CS-4.../...
DS-3030-CS, DS-3040-CS, DS-4...-CS



CS-5.../..., CS-6.../..., CS-7.../...
DS-5...-CS, DS-6...-CS, DS-7...-CS



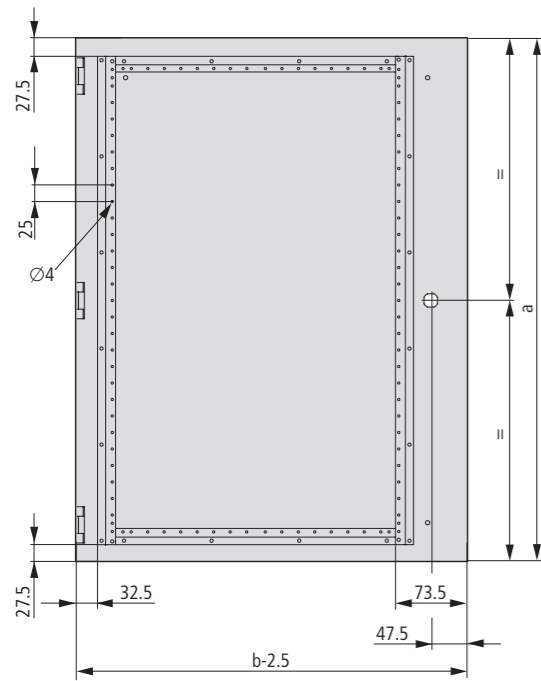
CS-8.../...
DS-8...-CS



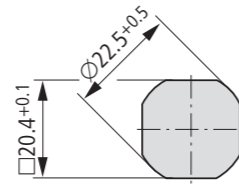
Note:
Please refer to selection page xx for A, B, C values

Doors

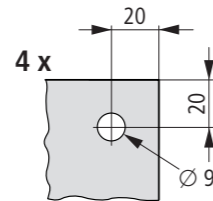
CS-10.../..., CS-12.../...
DS-10...-CS, DS-12...-CS



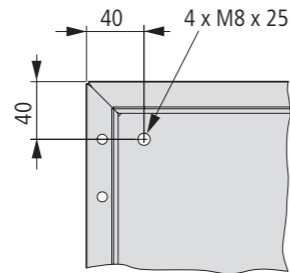
Mounting opening - lock



Position of the 4 holes at the rear panel of the enclosure for wall-mounting



Position of the 4 threaded bolts at the rear panel of the enclosure



Distance between two holes between two door profile bars:

Width B	Distance between two holes (mm)
300	203.4
400	303.4
500	403.4
600	503.4
800	703.4
1000	903.4
1200	1103.4

Dimensions Enclosure

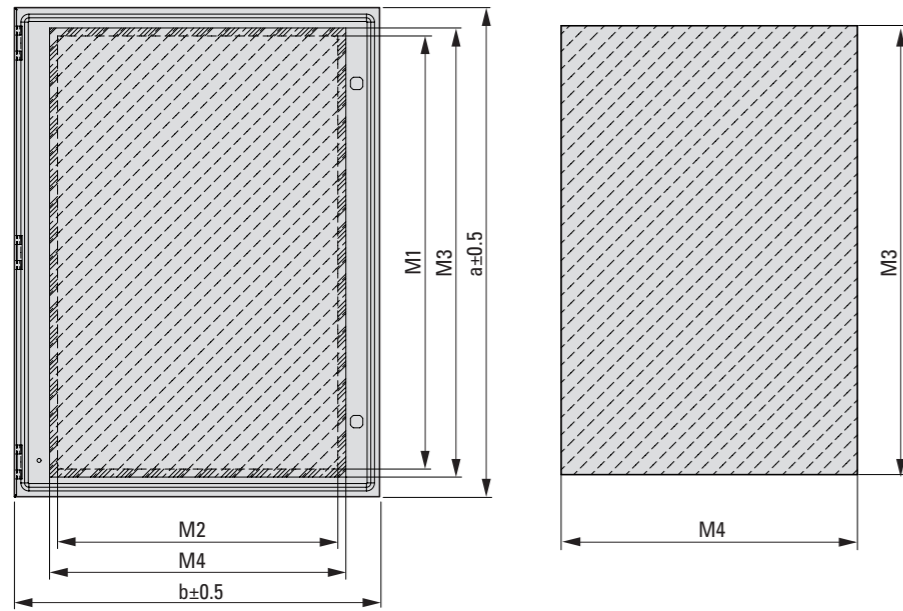
Type	a	b	c	t1	t2	t3	t4
CS-2520/150	250	200	150	112	167	65	120
CS-32/150	300	200	150	112	167	65	120
CS-33/150	300	300	150	112	232	65	185
CS-33/200	300	300	200	172	262	125	215
CS-34/200	300	400	200	172	332	125	285
CS-43/150	400	300	150	112	232	65	185
CS-43/200	400	300	200	172	262	125	215
CS-44/150	400	400	150	112	332	65	285
CS-44/200	400	400	200	172	332	125	285
CS-46/200	400	600	200	172	532	125	485
CS-46/250	400	600	250	172	532	125	485
CS-46/300	400	600	300	172	532	125	485
CS-54/150	500	400	150	112	332	65	285
CS-54/200	500	400	200	172	332	125	285
CS-54/250	500	400	250	172	332	125	285
CS-55/250	500	500	250	172	432	125	385
CS-64/150	600	400	150	112	332	65	285
CS-64/200	600	400	200	172	332	125	285
CS-64/250	600	400	250	172	332	125	285
CS-65/150	600	500	150	112	332	65	285
CS-65/200	600	500	200	172	432	125	385
CS-65/250	600	500	250	172	432	125	385
CS-66/200	600	600	200	172	532	125	485
CS-66/250	600	600	250	172	532	125	485
CS-66/300	600	600	300	172	532	125	485
CS-68/300	600	800	300	172	732	125	685
CS-75/200	700	500	200	172	432	125	385
CS-75/250	700	500	250	172	432	125	385
CS-84/200	800	400	200	172	332	125	285
CS-84/250	800	400	250	172	332	125	285
CS-86/200	800	600	200	172	532	125	485
CS-86/250	800	600	250	172	532	125	485
CS-86/300	800	600	300	172	532	125	485
CS-88/200	800	800	200	172	732	125	685
CS-88/300	800	800	300	172	732	125	685
CS-810/300	800	1000	300	172	932	125	885
CS-106/250	1000	600	250	172	532	125	485
CS-106/300	1000	600	300	172	532	125	485
CS-108/250	1000	800	250	172	732	125	685
CS-108/300	1000	800	300	172	732	125	685
CS-1010/300	1000	1000	300	172	932	125	885
CS-126/250	1200	600	250	172	532	125	485
CS-128/300	1200	800	300	172	732	125	685
CS-1210/300	1200	1000	300	172	932	125	885
CS-1212/250	1200	1200	250	2 x 172	2 x 532	2 x 125	2 x 485

Dimensions Doors

Enclosure Height	Enclosure Width	Door	
		Height	Width
250	200	248	197.5
300	200	298	197.5
300	300	298	297.5
300	400	298	397.5
400	300	398	297.5
400	400	398	397.5
400	600	398	597.5
500	400	498	397.5
500	500	498	497.5
600	400	598	397.5
600	500	598	497.5
600	600	598	597.5
600	800	598	797.5
700	500	698	497.5
800	400	798	397.5
800	600	798	597.5
800	800	798	797.5
800	1000	798	997.5
1000	600	998	597.5
1000	800	998	797.5
1000	1000	998	997.5
1200	600	1198	597.5
1200	800	1198	797.5
1200	1000	1198	997.5
1200	1200	1198	1197.5

Doors with an Inspection Glass

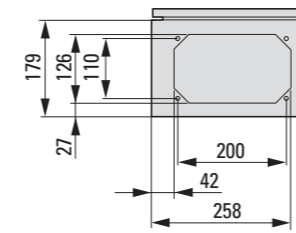
DT-....-CS



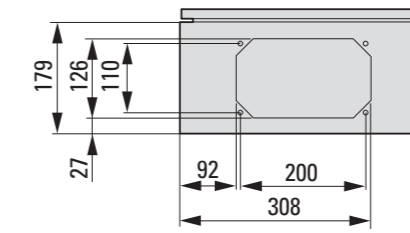
Enclosure height a	Enclosure width b	M1	M2	M3	M4
250	200	132	84	158	110
250	250	152	104	178	130
300	200	182	84	208	110
300	250	202	104	228	130
300	300	202	154	228	180
300	400	202	254	228	280
400	300	302	154	328	180
400	400	302	254	328	280
400	500	302	354	328	380
400	600	302	454	328	480
500	300	402	154	428	180
500	400	402	254	428	280
500	500	402	354	428	380
600	400	502	254	528	280
600	500	503	355	529	381
600	600	503	455	529	481
600	800	503	655	529	681
700	500	603	355	629	381
800	400	703	255	729	281
800	600	703	455	729	481
800	800	703	655	729	681
800	1000	703	855	729	881
1000	600	904	425	930	451
1000	800	904	625	930	651
1000	1000	904	825	930	851
1200	600	1104	425	1130	451
1200	800	1104	625	1130	651
1200	900	1104	725	1130	751
1200	1000	1104	825	1130	851
1200	1200	1104	1025	1130	1051

Bottom of Enclosure with F3A Flange Openings

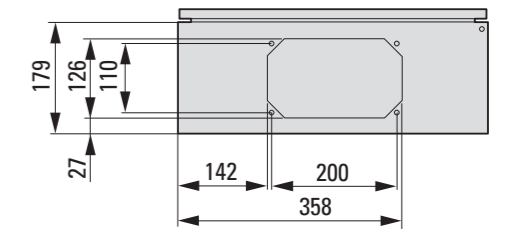
300 x 200



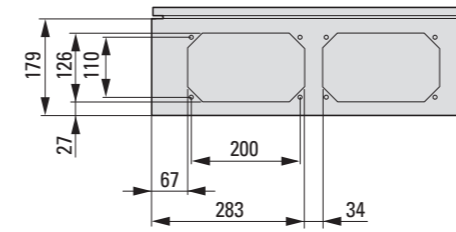
400 x 200



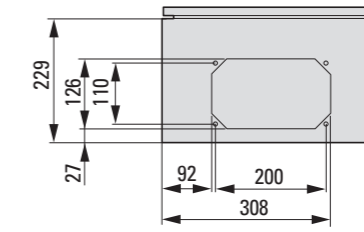
500 x 200



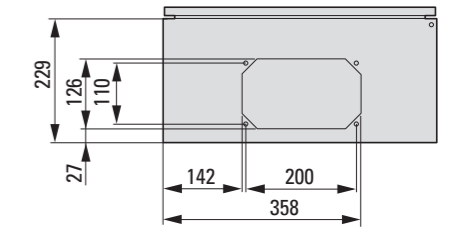
600 x 200



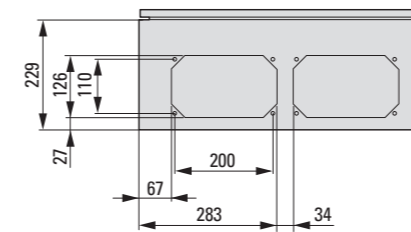
400 x 250



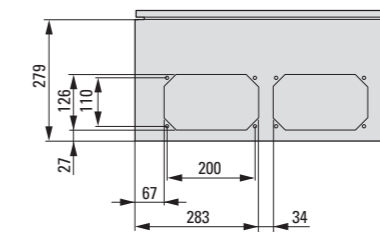
500 x 250



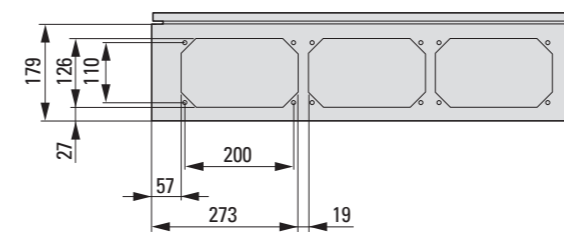
300 x 250



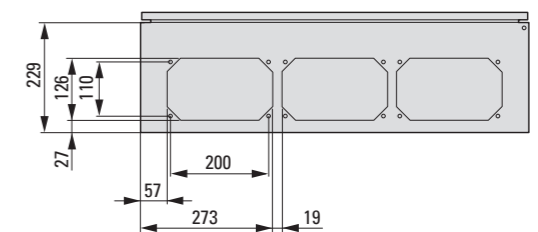
600 x 100



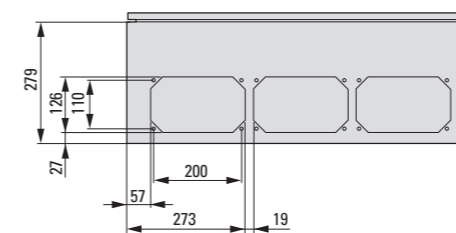
800 x 200



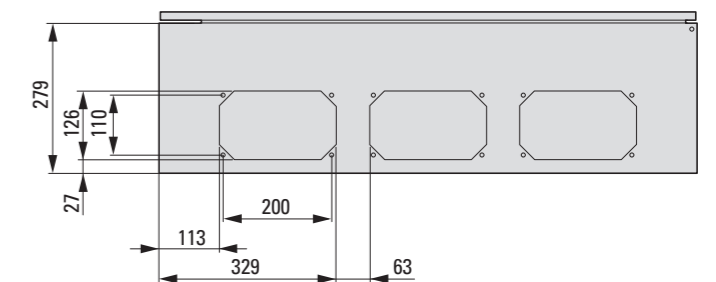
800 x 250



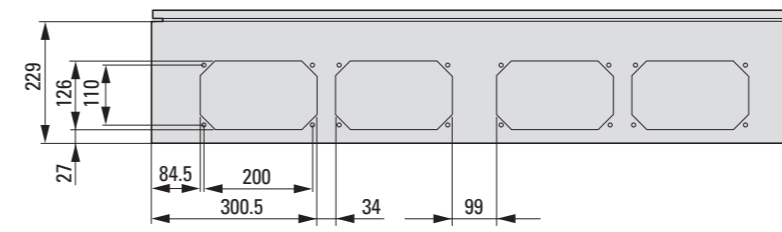
800 x 300



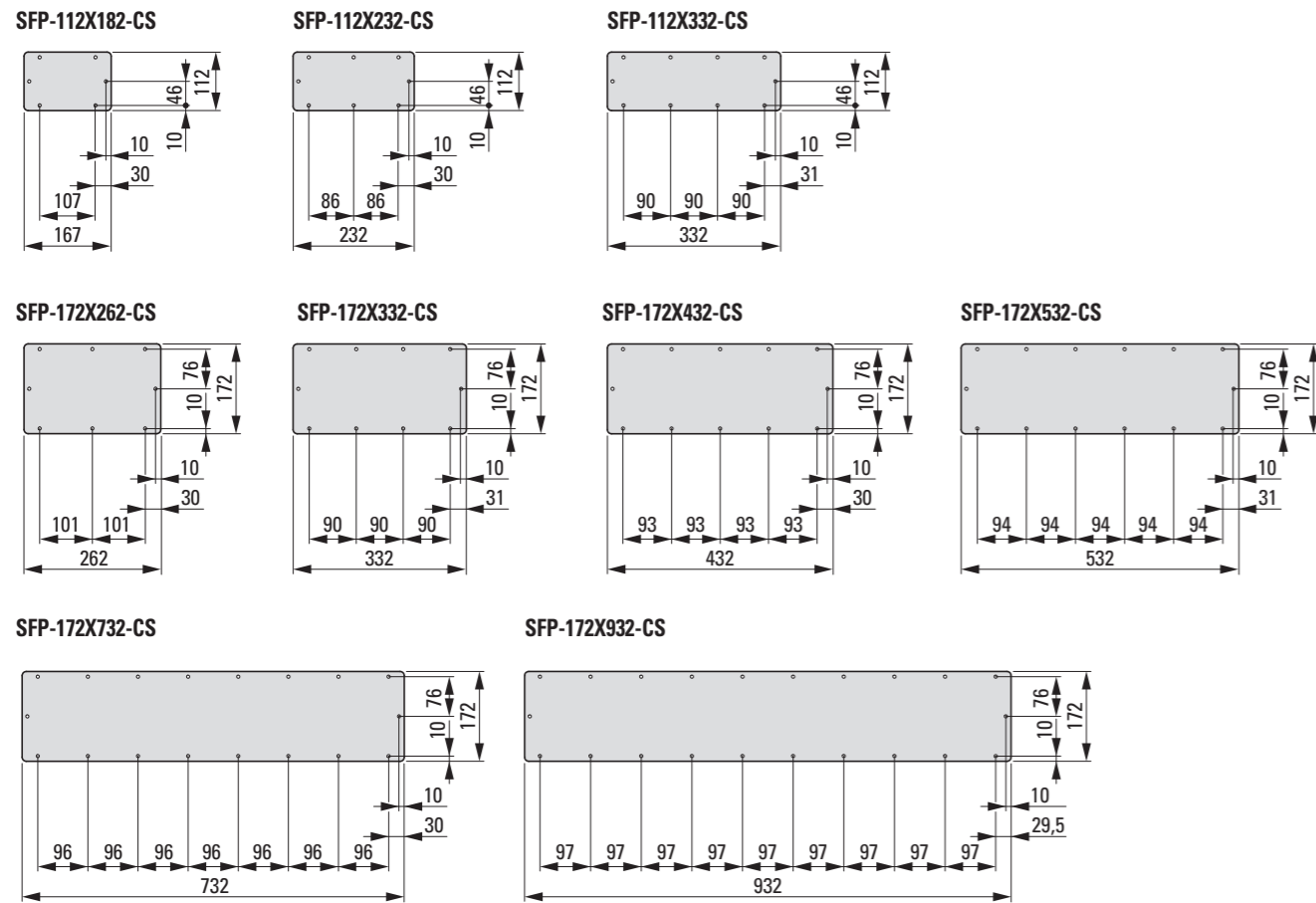
1000 x 300



1200 x 250

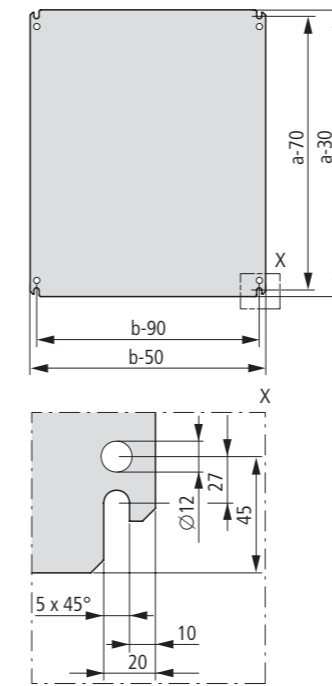


Bottom Panels without Openings



Mounting Plates

MPP, MPL

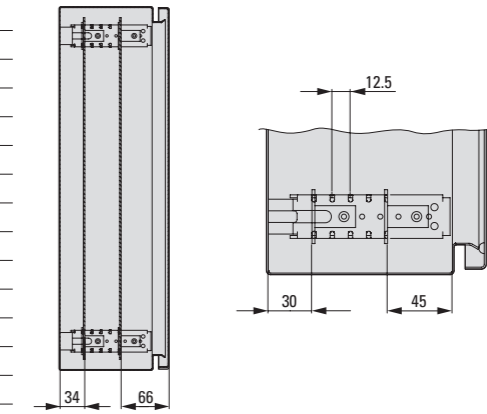


a, b = Dimensions of the enclosure

Type	Mounting plate Height	Width
CS-2520/150	220	150
CS-32/150	270	150
CS-33/150	270	250
CS-33/200	270	250
CS-34/200	270	350
CS-43/150	370	250
CS-43/200	370	250
CS-44/150	370	350
CS-44/200	370	350
CS-46/200	370	550
CS-46/250	370	550
CS-46/300	370	550
CS-54/150	470	350
CS-54/200	470	350
CS-54/250	470	350
CS-55/250	470	450
CS-64/150	570	350
CS-64/200	570	350
CS-64/250	570	350
CS-65/150	570	450
CS-65/200	570	450
CS-65/250	570	450
CS-66/200	570	550
CS-66/250	570	550
CS-66/300	570	550
CS-68/300	550	770
CS-75/200	670	450
CS-75/250	670	450
CS-84/200	770	350
CS-84/250	770	350
CS-86/200	770	550
CS-86/250	770	550
CS-86/300	770	550
CS-88/200	770	750
CS-88/300	770	750
CS-810/300	770	750
CS-106/250	970	550
CS-106/300	970	550
CS-108/250	970	750
CS-108/300	970	750
CS-1010/300	970	950
CS-126/250	1170	550
CS-128/300	1170	750
CS-1210/300	1170	950
CS-1212/250	1170	1150

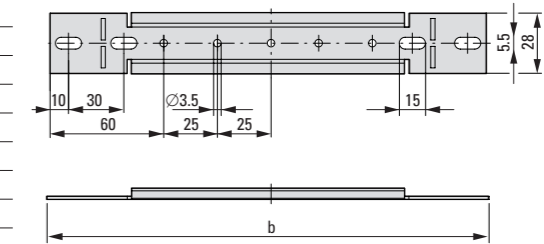
Depth-Adjustment Elements for Mounting Plates

DAS-SET/...-CS



Mounting Webs for Door Profile Bars and Cable Ducts

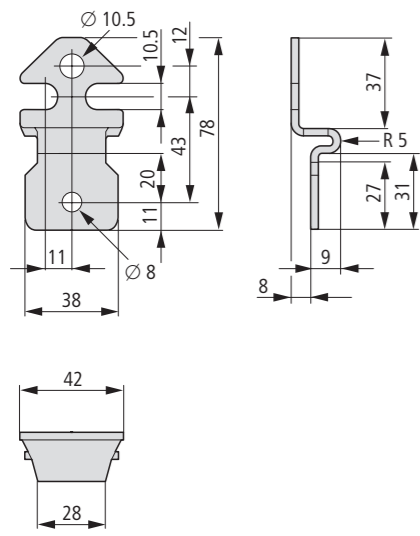
MTR-D...-CS



Type	B
MTR-D3-CS	220
MTR-D4-CS	320
MTR-D5-CS	420
MTR-D6-CS	520
MTR-D8-CS	720

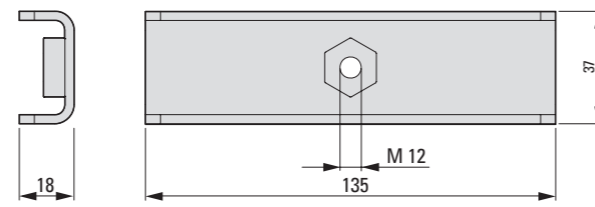
Wall-mounting Brackets

WFB-SET-CS



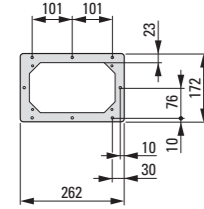
Set of Lifting Eyebolts and Profile Brackets

TOR-SET/135-CS

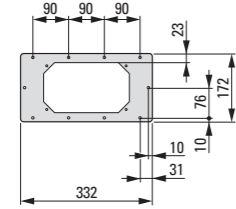


Bottom Panels with Flange Openings (for F3A Flanges)

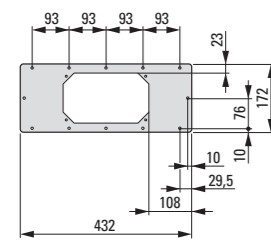
AFP-3-CS



AFP-4-CS

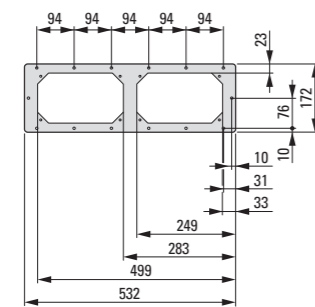


AFP-5-CS

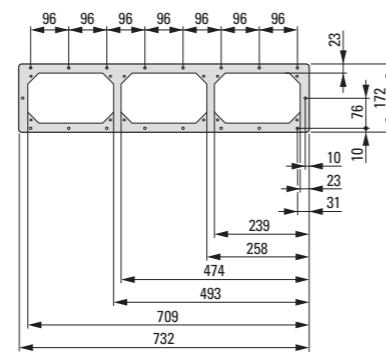


AFP-6-CS

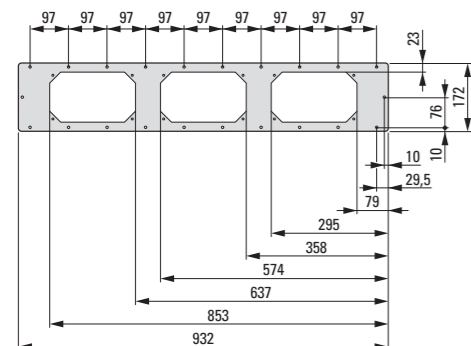
AFP-12-CS = 2x AFP-6-CS



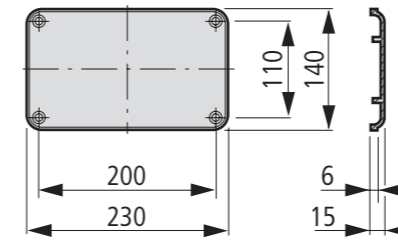
AFP-8-CS



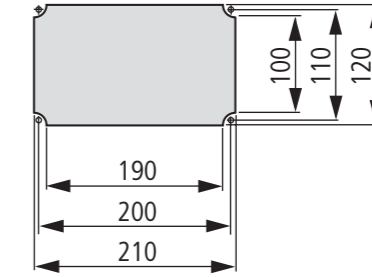
AFP-10-CS



Flange Plastic F3A

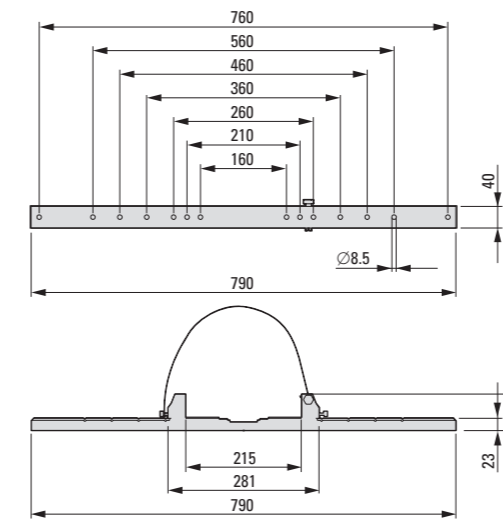


Opening of Flange



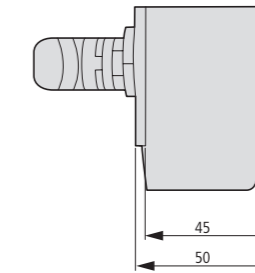
Fixing on a Mast

MAST-FIT-CS

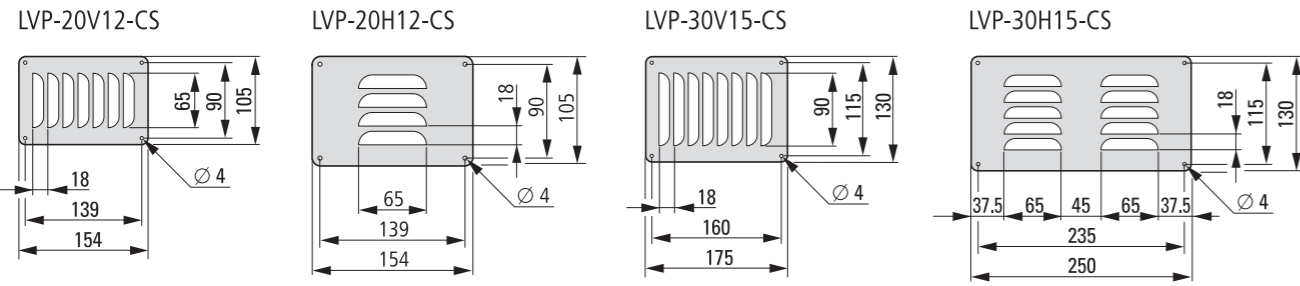


Ease-of-use Rotary Handle

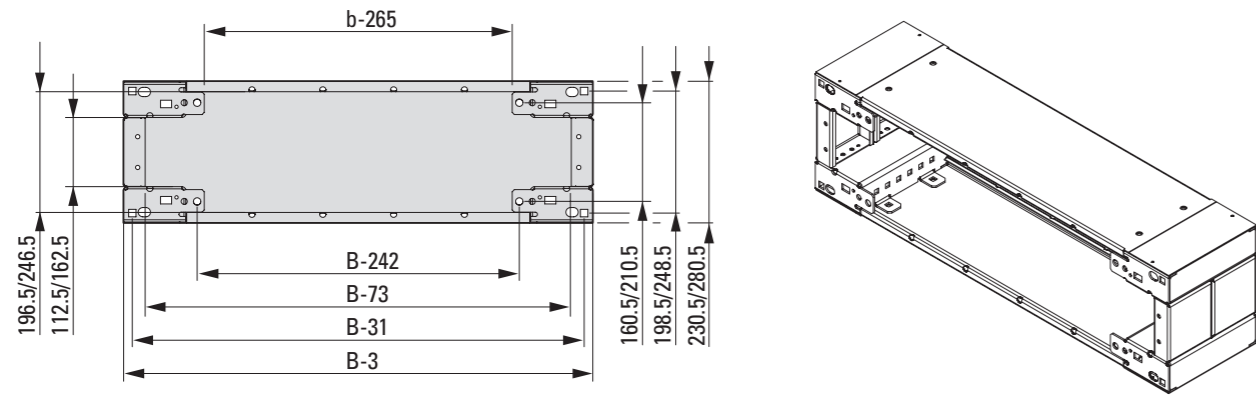
PHZ-A



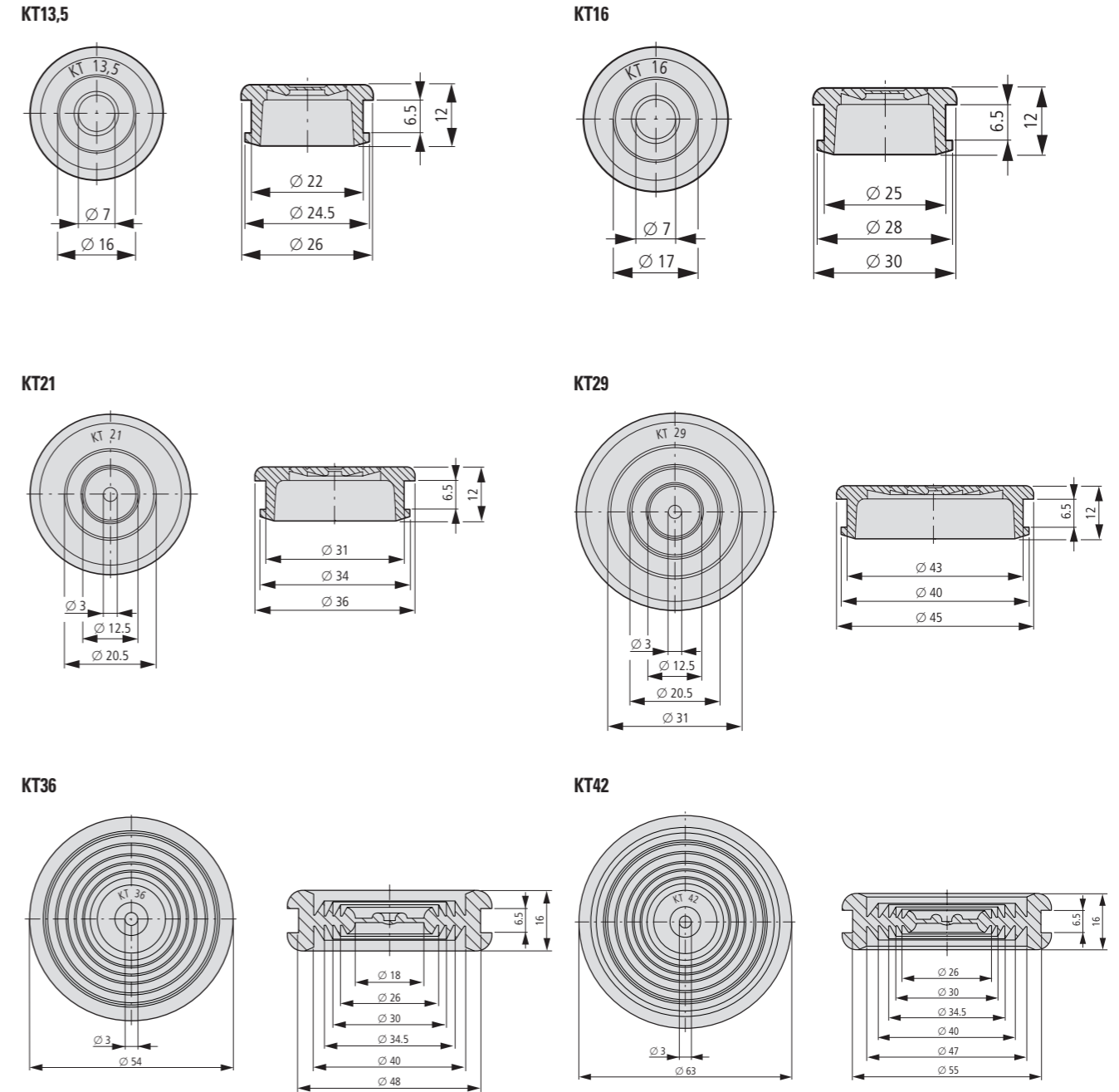
Ventilation Louvers



Cable Interconnect Base PLI-/...-200-CS

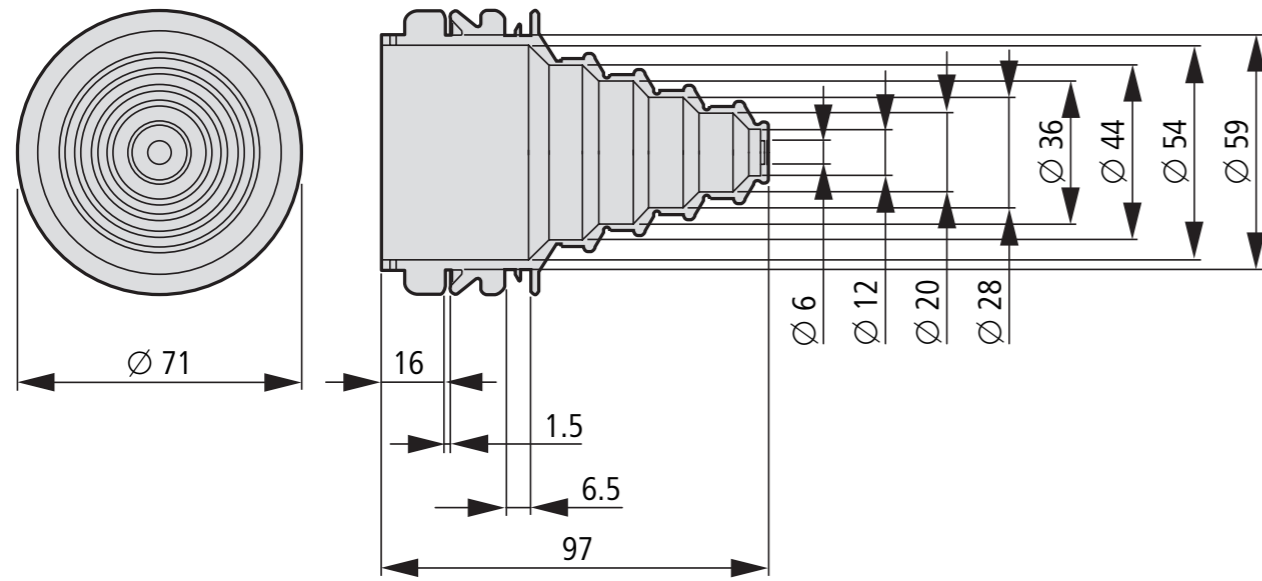


Cable Grommets for PG

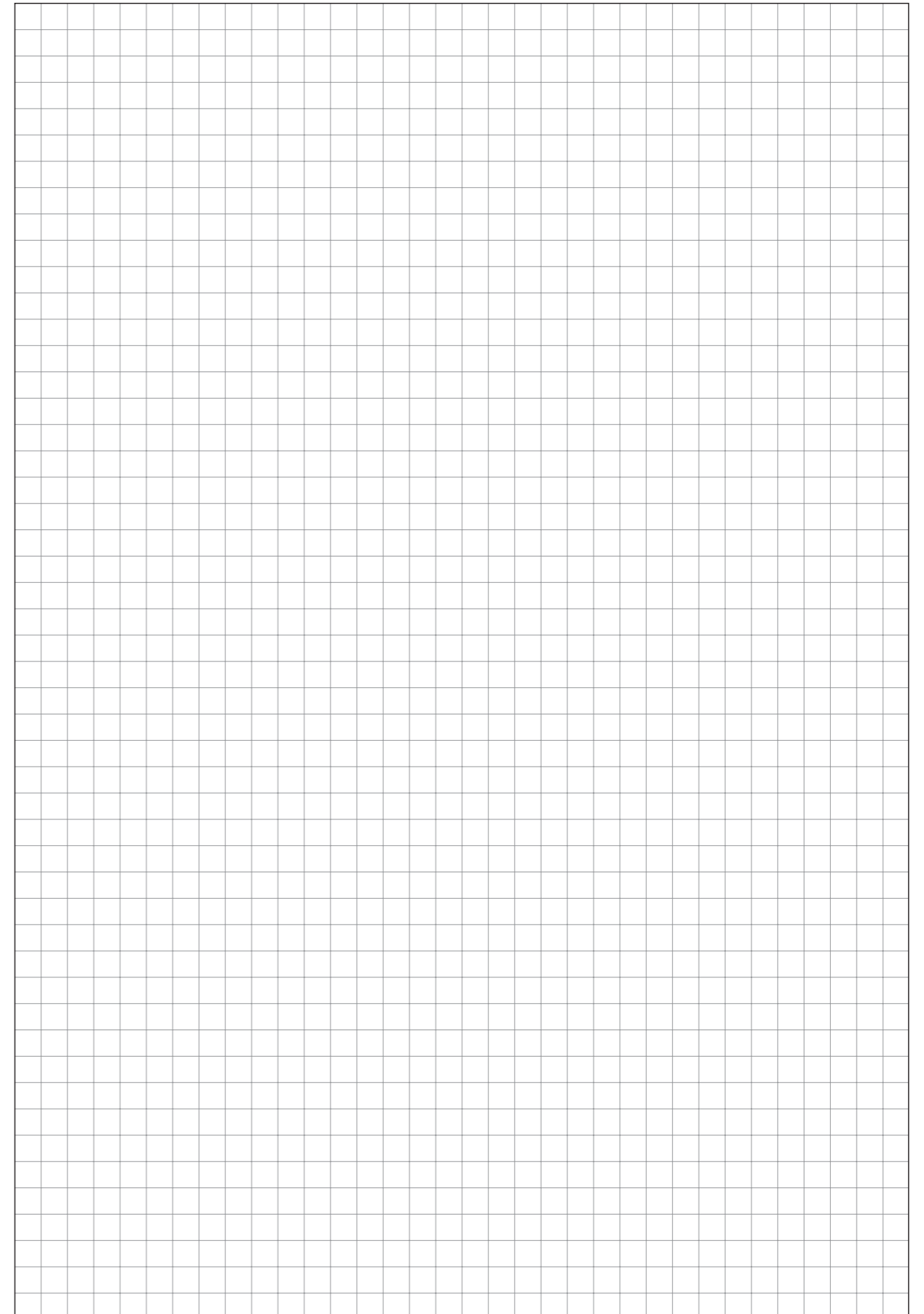
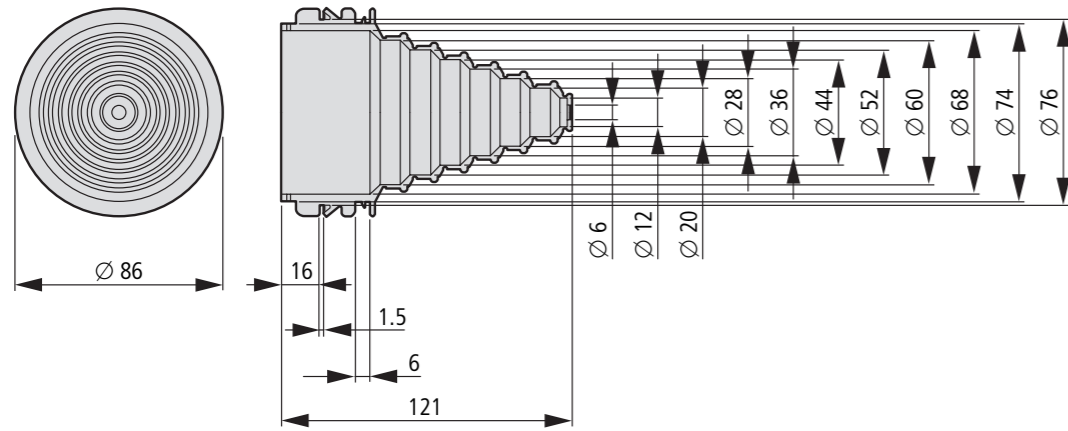


Cable Grommets

KT3



KT4



Eaton's electrical business is a global leader with deep regional application expertise in power distribution and circuit protection; power quality, backup power and energy storage; control and automation; life safety and security; structural solutions; and harsh and hazardous environment solutions. Through end-to-end services, channel and an integrated digital platform & insights Eaton is powering what matters across industries and around the world, helping customers solve their most critical electrical power management challenges.

For more information, visit [Eaton.com](https://www.eaton.com).



Eaton Industries (Austria) GmbH
Scheydgasse 42
1210 Vienna
Austria

Eaton
EMEA Headquarters
Route de la Longeraie 7
1110 Morges, Switzerland

© 2021 Eaton
All Rights Reserved
Printed in Austria
Publication No. FK4300-1178GB
Article number 113926-MK
August 2023

Changes to the products, to the information contained in this document, and to prices are reserved; as are errors and omissions. Only order confirmations and technical documentation by Eaton is binding. Photos and pictures also do not warrant a specific layout or functionality. Their use in whatever form is subject to prior approval by Eaton. The same applies to trademarks (especially Eaton, Moeller, and Cutler-Hammer). The Terms and Conditions of Eaton apply, as referenced on Eaton Internet pages and Eaton order confirmations.

Eaton is a registered trademark.

All other trademarks are property of their respective owners.

Follow us on social media to get the latest product and support information.

