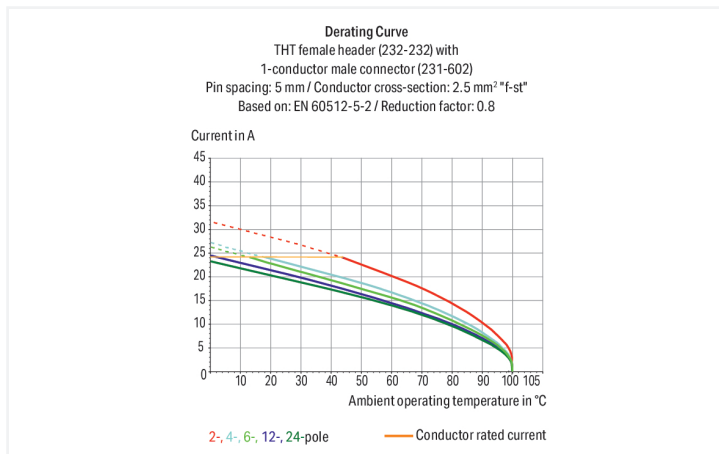
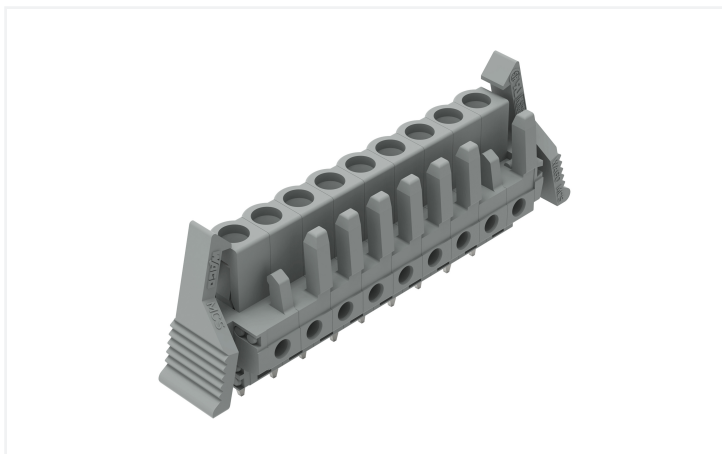


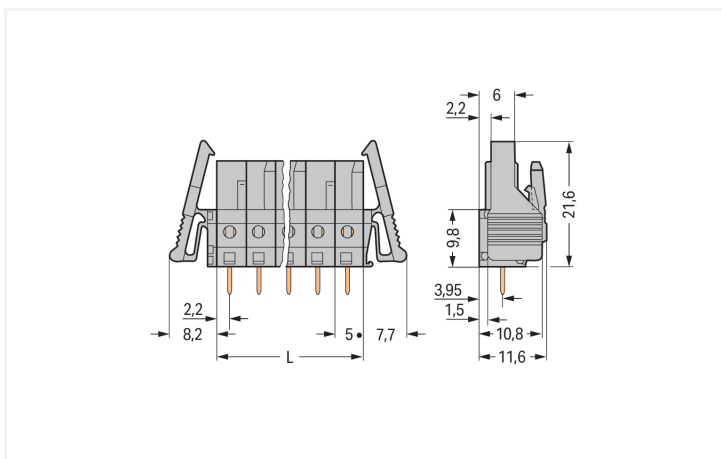
Data Sheet | Item Number: 232-139/039-000

THT female header; straight; Pin spacing 5 mm; 9-pole; Locking lever; 0.6 x 1.0 mm solder pin; gray

<https://www.wago.com/232-139/039-000>



Color: ■ gray



Dimensions in mm

L = pole no. x pin spacing
2- to 3-pole female connectors – one latch only

Female connector, 232 Series, with 5 mm pin spacing

Our female connector (item number 232-139/039-000) is designed for seamless electrical installations. The item's dimensions are (60.9 x 26.6 x 11.6) mm (width x height x depth).

Tin is used for coating the contact surfaces. The pcb connector is designed for THT soldering.

Notes

Safety Information

The MCS – MULTI CONNECTION SYSTEM includes connectors without breaking capacity in accordance with DIN EN 61984. When used as intended, these connectors must not be connected/disconnected when live or under load. When used as intended, these connectors must not be connected/disconnected when live or under load. The circuit design should ensure header pins, which can be touched, are not live when unmated.

Variants:

Other pole numbers
3.8 mm pin projection for male headers with straight solder pins
Gold-plated or partially gold-plated contact surfaces
Other versions (or variants) can be requested from WAGO Sales or configured at <https://configurator.wago.com/>.

Electrical data

| Ratings per | IEC/EN 60664-1 | | |
|---------------------------------|----------------|-------|-------|
| | III | III | II |
| Overtoltage category | III | III | II |
| Pollution degree | 3 | 2 | 2 |
| Nominal voltage | 320 V | 320 V | 630 V |
| Rated impulse withstand voltage | 4 kV | 4 kV | 4 kV |
| Rated current | 12 A | 12 A | 12 A |

| Approvals per | UL 1059 | | |
|---------------|---------|---|-------|
| | B | C | D |
| Use group | B | C | D |
| Rated voltage | 300 V | - | 300 V |
| Rated current | 16 A | - | 10 A |

Ratings

| Ratings | UL 1977 |
|---------------|---------|
| Approvals per | UL 1977 |
| Rated voltage | 600 V |
| Rated current | 15 A |

Approvals per

| Approvals per | CSA | | |
|---------------|-------|---|-------|
| | B | C | D |
| Use group | B | C | D |
| Rated voltage | 300 V | - | 300 V |
| Rated current | 15 A | - | 10 A |

Connection Data

| | |
|----------------------------|---|
| Clamping units | 9 |
| Total number of potentials | 9 |
| Number of connection types | 1 |
| Number of levels | 1 |

Connection 1

| | |
|-------------|---|
| Pole number | 9 |
|-------------|---|

Physical data

| | |
|--------------------------------------|--------------------------|
| Pin spacing | 5 mm / 0.197 inches |
| Width | 60.9 mm / 2.398 inches |
| Height | 26.6 mm / 1.047 inches |
| Height from the surface | 21.6 mm / 0.85 inches |
| Depth | 11.6 mm / 0.457 inches |
| Solder pin length | 5 mm |
| Solder pin dimensions | 0.6 x 1 mm |
| Drilled hole diameter with tolerance | 1.3 ^(+0.1) mm |

Mechanical data

| | |
|--------------------------|-----|
| Variable coding | Yes |
| Anti-rotation protection | Yes |

Plug-in connection

| | |
|------------------------------------|-------------------------|
| Contact type (pluggable connector) | Female connector/socket |
| Connector (connection type) | for PCB |
| Mismating protection | No |
| Mating direction to the PCB | 90 ° |
| Locking of plug-in connection | Locking lever |

PCB contact

| | |
|-------------------------------------|--|
| PCB contact | THT |
| Solder pin arrangement | over the entire female connector (in-line) |
| Number of solder pins per potential | 1 |

Material data

| | |
|------------------------------------|--|
| Note (material data) | Information on material specifications can be found here |
| Color | gray |
| Material group | I |
| Insulation material (main housing) | Polyamide (PA66) |
| Flammability class per UL94 | V0 |
| Contact material | Copper alloy |
| Contact Plating | Tin |
| Fire load | 0.165 MJ |
| Weight | 9.2 g |

Environmental requirements

| | | |
|-------------------------|-----------------|--|
| Limit temperature range | -60 ... +100 °C | <h4>Environmental Testing</h4> |
| Processing temperature | -35 ... +60 °C | |
| | | Test specification: DIN EN 50155 (VDE 0115-200):2022-06 Railway applications – Rolling stock – Electronic equipment |
| | | Test procedure: DIN EN 61373 (VDE 0115-0106):2011-04 Railway applications – Rolling stock equipment – Vibration and shock tests |
| | | Spectrum/Mounting location Service life test, Category 1, Class A/B |
| | | Functional test with noise-like oscillations Test passed according to Section 8 of the standard |
| | | Frequency $f_1 = 5 \text{ Hz}$ to $f_2 = 150 \text{ Hz}$ |
| | | Acceleration 0.101g (highest test level used for all axes) |
| | | Test duration per axis 10 min. |
| | | Test directions X, Y and Z axes |
| | | Monitoring of contact faults and interruptions Passed |
| | | Voltage drop measurement before and after each axis Passed |
| | | Simulated service life test through increased levels of noise-like oscillations Test passed according to Section 9 of the standard |
| | | Frequency $f_1 = 5 \text{ Hz}$ to $f_2 = 150 \text{ Hz}$ |
| | | Acceleration 0.572g (highest test level used for all axes) |
| | | Test duration per axis 5 h |
| | | Test directions X, Y and Z axes |
| | | Extended testing: Monitoring of contact faults and interruptions Passed |
| | | Extended testing: Voltage drop measurement before and after each axis Passed |
| | | Shock test Test passed according to Section 10 of the standard |

| Environmental Testing | |
|---|---|
| Shock pulse form | Half sine |
| Acceleration | 5g (highest test level used for all axes) |
| Shock duration | 30 ms |
| Number of shocks (per axis) | 3 pos. und 3 neg. |
| Test directions | X, Y and Z axes |
| Extended testing: Monitoring of contact faults and interruptions | Passed |
| Extended testing: Voltage drop measurement before and after each axis | Passed |
| Vibration and shock stress for rolling stock equipment | Passed |

| Commercial data | |
|-----------------------|---------------|
| PU (SPU) | 25 pcs |
| Packaging type | Box |
| Country of origin | DE |
| GTIN | 4055143760089 |
| Customs tariff number | 85366990990 |

| Product Classification | |
|------------------------|----------------------|
| UNSPSC | 39121409 |
| eCl@ss 10.0 | 27-44-04-02 |
| eCl@ss 9.0 | 27-44-04-02 |
| ETIM 9.0 | EC002637 |
| ETIM 10.0 | EC002637 |
| ECCN | NO US CLASSIFICATION |

| Environmental Product Compliance | |
|----------------------------------|-------------------------|
| RoHS Compliance Status | Compliant, No Exemption |

Approvals / Certificates

General approvals



| Approval | Standard | Certificate Name |
|--------------------------------------|----------|------------------|
| CSA DEKRA Certification B.V. | C22.2 | 1466354 |
| UL Underwriters Laboratories Inc. | UL 1059 | E45172 |
| UR Underwriters Laboratories Inc. | UL 1977 | E45171 |

Declarations of conformity and manufacturer's declarations



| Approval | Standard | Certificate Name |
|-------------------------------|----------|------------------|
| Railway WAGO GmbH & Co. KG | - | Railway Ready |

Approvals for marine applications



| Approval | Standard | Certificate Name |
|---|-----------|------------------|
| ABS American Bureau of Ship- ping | - | 24-0095975-PDA |
| BV Bureau Veritas S.A. | IEC 60998 | 11915/E0 BV |
| DNV DNV GL SE | - | TAE000016Z |

Downloads

Environmental Product Compliance

Compliance Search

| | |
|--|---|
| Environmental Product Compliance 232-139/039-000 | ↓ |
|--|---|

Documentation

Additional Information

| | | | |
|-------------------|------------|-------------------|---|
| Technical Section | 03.04.2019 | pdf 2027.26 KB | ↓ |
|-------------------|------------|-------------------|---|

CAD/CAE-Data

CAD data

| | |
|---------------------------------|---|
| 2D/3D Models 232-139/039-000 | ↓ |
|---------------------------------|---|

CAE data

| | |
|---------------------------------|---|
| ZUKEN Portal 232-139/039-000 | ↓ |
|---------------------------------|---|

PCB Design

| | |
|---|---|
| Symbol and Footprint via SamacSys 232-139/039-000 | ↓ |
|---|---|

| | |
|--|---|
| Symbol and Footprint via Ultra Librarian 232-139/039-000 | ↓ |
|--|---|