

**Single-lever bath mixer with stand pipe for free-standing assembly with hand shower set - Matte Black**

SERIES SPECIFIC

25 863 661 Product version from 10/1/2023



- spout: circular, air-enriched flow
- max. flow 19.5 l/min at 3 bar flow pressure
- Hand shower: COMPACT RAIN, max. flow rate 6.8 l/min (at 3 bar)
- bar-type hand shower with anti-scale system
- pivotable spout 360°
- 281mm projection
- wall bracket
- automatic bath/shower diverter
- total height 1031 - 1101 mm
- stand pipe height 565 - 635 mm
- height up to aerator 899 – 969 mm
- slide-on rosettes Ø 135 mm
- metal shower hose 1250mm with integrated anti-twist protection
- WRAS

**Intrinsic protection against back flow.**

Intrinsic protection against back flow.

	Matte Black	25 863 661-33
	Chrome	25 863 661-00
	Brushed Platinum	25 863 661-06
	Dark Chrome	25 863 661-19
	Light Gold (PVD)	25 863 661-26
	Brushed Light Gold (PVD)	25 863 661-27
	Brushed Durabrass (23kt Gold)	25 863 661-28
	Brushed Gold (PVD)	25 863 661-37
	Brushed Dark Brass (PVD)	25 863 661-39
	Brushed Bronze (PVD)	25 863 661-42
	Brushed Dark Bronze (PVD)	25 863 661-43
	Brushed Champagne (22kt Gold)	25 863 661-46
	Champagne (22kt Gold)	25 863 661-47
	Brushed Chrome	25 863 661-93
	Brushed Dark Platinum	25 863 661-99

**Required miscellaneous**



**Concealed floor mounting -**

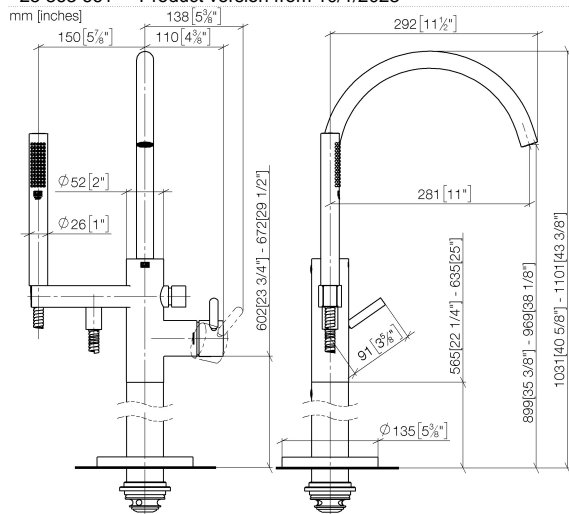
35 945 970 90

- min. recess depth 80 mm
- max. recess depth 150 mm

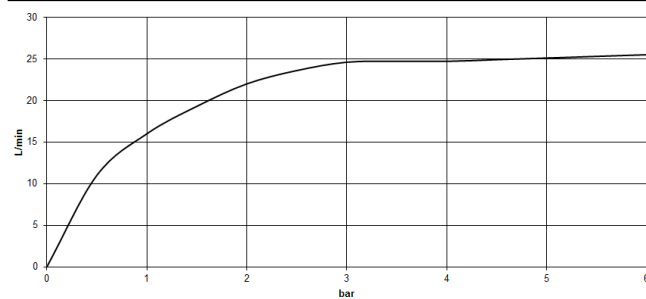
Single-lever bath mixer with stand pipe for free-standing assembly with hand shower set - Matte Black

SERIES SPECIFIC

25 863 661 Product version from 10/1/2023



Flow rate chart



Codes & Standards

ASME A112.18.1	cUPC	DIN 4109	EN 1717
ISO 3822	Scottish Water Byelaws	UK Water Supply Regulations	Ü-Zeichen



Single-lever bath mixer with stand pipe for free-standing assembly with hand shower set - Matte Black

SERIES SPECIFIC

---

25 863 661 Product version from 10/1/2023

Certificates and sustainability

---

Belgaqua\_19\_77

IAPMO\_4976

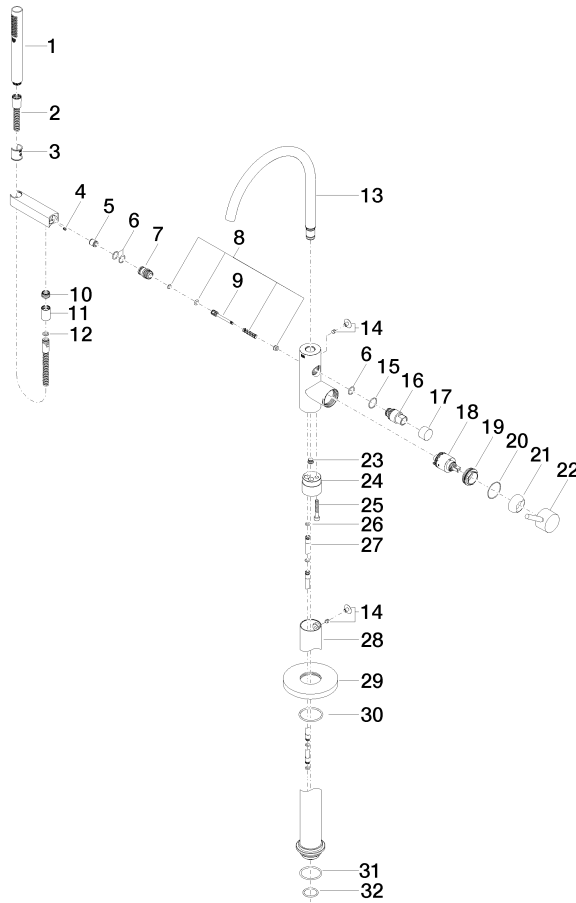
WRAS\_250502

EPD-DOR-20230287 LGA\_39  
-IBA1-EN  
Environmental.prod  
uct-declarat

Single-lever bath mixer with stand pipe for free-standing assembly with hand shower set - Matte Black

SERIES SPECIFIC

25 863 661 Product version from 10/1/2023





# Single-lever bath mixer with stand pipe for free-standing assembly with hand shower set - Matte Black

SERIES SPECIFIC

25 863 661 Product version from 10/1/2023

## Spare parts list

No.	Item Number	Name	Quantity used	Delivery time
5	90 23 01 141 00 90	Back-flow preventer -	1.00	14
27	04 28 22 025 00 90	Supply pipe Ø 12 x 70 mm -	2.00	14
31	09 14 10 084 90	O-Ring EPDM 70 48 x 3,5 mm -	1.00	14
25	09 30 30 111 90	Mounting Cylinder head screw with hexagon socket M8 x 50 mm -	1.00	14
19	09 24 04 298 90	Mounting Ø 42 x 17 mm -	1.00	14
9	09 31 09 102 20-33	Pull rod for diverter Ø 12 x 70 mm - Matte Black	1.00	-
Spare part can no longer be ordered, please order the replacement item				
26	09 14 10 139 90	O-Ring EPDM 70 9,0 x 2,0 mm -	2.00	14
22	90 20 66 005 00-33	Handle for bath deck mounting Lever 52 x 35 x 117 mm - Matte Black	1.00	40
2	90 30 02 072 00-33	Metal shower hose 1/2" x 3/8" x 1250 mm - Matte Black	1.00	40
30	90 14 10 129 00 90	O-Ring 52 x 3,5 mm -	1.00	14
21	09 28 30 036-33	Cover Ø 46 x 18 mm - Matte Black	1.00	40
13	90 28 22 327 01-33	Spout for bath deck mounting free-standing 304 mm, 25,2 l/min. - Matte Black	1.00	40
28	04 28 22 030 00-33	Pipe Ø 71,5 x 697,5 mm - Matte Black	1.00	40
6	90 14 10 010 00 90	O-Ring EPDM 70 17,0 x 2,0 mm -	3.00	14
16	09 21 34 081 20-33	Diverter Ø 30 x 56 mm - Matte Black	1.00	40
14	04 31 20 036 00 90	Plug for bath deck mounting Cover with threaded pin -	2.00	14
8	90 16 02 023 00 90	Diverter Repair kit, bath deck mounting 15 x 50 x 15 mm -	1.00	14
12	90 14 20 026 00 90	Washer 14 x 8 x 2 mm Centellen WS 3820 -	1.00	14
15	09 14 10 112 90	O-Ring 24,0 x 2,0 mm -	1.00	14
29	09 27 88 007-33	Rosette Ø 135 x 15,5 mm - Matte Black	1.00	40
24	09 24 03 152 20-33	Connection - Matte Black	1.00	-
Spare part can no longer be ordered, please order the replacement item				
23	04 31 20 039 11 90	Plug with O-ring M12 x 1 -	1.00	14
10	09 24 03 069 90	Nipple Ø 20 x 11,5 mm -	1.00	14
3	09 18 40 118 90	Sleeve Ø 27,5 x 30 mm -	1.00	14
32	09 14 10 018 90	O-Ring EPDM 70 32,0 x 3,0 mm -	1.00	14
17	09 20 88 002-33	Pull button Ø 30 x 20 mm - Matte Black	1.00	40
4	09 31 11 058 90	Mounting Threaded pin with hexagon socket with cup point M5 x 8 mm -	1.00	14
20	09 14 10 037 90	O-Ring 42,0 x 1,5 . mm -	1.00	14
11	90 21 02 069 00-33	Cover/sleeve M20 x 1 - Matte Black	1.00	40
18	90 15 05 039 00 90	Cartridge blue Ø 40 x 75 mm -	1.00	14
7	09 24 03 153 20-33	Nipple Ø 24 x 34,5 mm - Matte Black	1.00	-
Spare part can no longer be ordered, please order the replacement item				
1	90 12 11 140 41-33	Bar-type hand shower 6,8 l/min - Matte Black	1.00	-
Spare part can no longer be ordered, please order the replacement item				