

Presence detector P49LR, DALI-2, BMS, 12-13 m, for surface mounting, white

353-752521

4 year warranty

This presence detector is a DALI-2 BMS detector that can be part of a BMS system. It is designed for surface mounting and has an IP54 protection degree. The detector needs to be commissioned with the BMS software. The detector's settings can be modified using the Niko detector tool app or the BMS software.

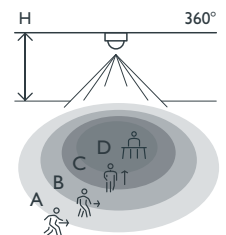
Finishing colour: white

This article is protected by at least one patent (application). For more info on patents, see www.niko.eu/innovation.

- Surface mounting
- Easy installation thanks to the direct connection to the DALI bus
- Communication with the BMS system via the DALI bus
- Power supply via the DALI bus
- Quick cabling using screwless and easily accessible plug-in terminals
- User-friendly app for settings (iOS/Android) or BMS software
- Communication between smartphone and detector via Bluetooth®
- Possible to disable Bluetooth® communication
- Pre-configured functions:
 - adjustable PIR sensitivity (4 levels)
 - event log keeps track of recent changes
- Settings and configuration can be locked with a PIN code
- IP54 protection degree



Detection range



H	A Walking	B Across	C Towards	D Presence
2.5 m	∅ 32 m	∅ 28 m	∅ 10 m	∅ 8 m
3.0 m	∅ 37 m	∅ 30 m	∅ 8 m	∅ 4 m

Measured according to EN/IEC63180



DALI-2



BMS



360°



∅ 37 m from
a height of
3 m



2 – 3.5 m



surface
mounting

niko

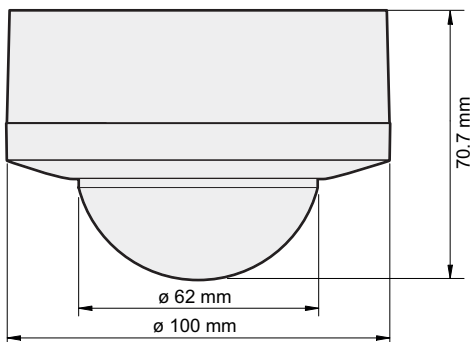
Technical data

Article number	353-752521
Configuration	BMS
Input voltage	via the DALI bus
Detector output	DALI-2
Maximum current consumption	10 mA
Nominal current consumption (12 V, 25°C), Bluetooth® enabled	5 mA
Nominal current consumption (12 V, 25°C), Bluetooth® disabled	4 mA
Maximum MCB rating	16 A (limited by national installation rules)
Maximum startup time DALI	< 1200 ms
Maximum PIR detection startup time	1 min 10 s
Light intensity range	0 lux – 10360 lux
Detection angle	360°
Detection range (PIR)	ø 37 m from a height of 3 m
Ambient temperature	-25 – +40 °C
Mounting method	surface mounting
Mounting height	2 – 3.5 m
Colour	white (approximately RAL 9010)
Dimensions visible (HxWxD)	100 x 100 x 70.7 mm
Dimensions (HxWxD)	100 x 100 x 70.7 mm
Maximum range Bluetooth® (free field, depending on the device)	50 m
Operating frequency	2.4 GHz
Maximum radio frequency power	-2 dBm
Protection degree	IP54
Impact resistance	IK04
Modification of settings	Niko detector tool app (iOS-Android) and BMS software
Halogen-free	yes
Marking	CE

Accessories

353-999879 Lens cover for P4XLR, M4XLR and M4XHC detectors transparent (5 pieces)

Dimensions



Wiring diagram

