



(en) Electric current! Danger to life!

Installation, commissioning and maintenance work must be carried out by qualified personnel only.

(de)

Lebensgefahr durch elektrischen Strom!

Arbeiten bzw. Montage an diesem Produkt dürfen nur von Elektrofachkräften und elektrotechnisch unterwiesenen Personen ausgeführt werden.

(fr)

Tension électrique dangereuse !

L'installation de l'appareil, ainsi que tous les travaux effectués sur celui-ci, doivent être réalisés par un électricien qualifié ou par un personnel spécialement formé.

(es)

¡Corriente eléctrica! ¡Peligro de muerte!

La instalación del dispositivo, así como todos los trabajos en él, deben ser realizados por un electricista calificado o por personal especialmente capacitado.

(it)

Tensione elettrica: Pericolo di morte!

L'installazione e il lavoro sul dispositivo devono essere effettuati da un elettricista qualificato o da personale specializzato.

(zh)

触电危险!

設備的安裝，以及所有工作，必須由合格的電工或經過專門培訓的人員完成。

(ru)

Электрический ток! Опасно для жизни!

Установка и эксплуатация устройства должны выполняться квалифицированным электриком или специально обученным персоналом.

(nl)

Levensgevaar door elektrische stroom!

Installatie van het apparaat en alle werkzaamheden eraan, mogen uitsluitend door een gekwalificeerd elektricien of speciaal opgeleid vakpersoneel worden uitgevoerd.

(da)

Livsfare på grund af elektrisk strøm!

Arbejde i forbindelse med installation, opstart og vedligehold må kun udføres af kvalificeret personale.

(el)

Προσοχή, κίνδυνος ηλεκτροπληξίας!

Η εγκατάσταση, εκκίνηση και συντήρηση θα πρέπει να πραγματοποιείται μόνο από εξειδικευμένο προσωπικό.

(pt)

Perigo de vida devido a corrente elétrica!

A instalação do dispositivo, bem como todos os trabalhos devem ser realizados por um electricista qualificado ou por pessoal especialmente formado.

(sv)

Livsfara genom elektrisk ström!

Installation, idrifttagande och underhållsarbete får endast utföras av behörig personal.

(fi)

Hengenvaarallinen jännite!

Laitteen asennus ja käyttö ainoastaan sähköasentajan tai siihen perehdytetyn henkilön toimesta.

(cs)

Nebezpečí úrazu elektrickým proudem!

Instalace zařízení a veškeré práce na něm musí být provedeny kvalifikovaným elektrikářem nebo speciálně vyškoleným personálem.

(et)

Eluhtlik! Elektrilöögiht!

Paigaldus-, kasutus- ja hooldustööd peab läbi viima ainult kvalifitseeritud personal.

(hu)

Életveszély az elektromos áram révén!

Az eszköz felszerelését, valamint az ehhez kapcsolódó összes munkát szakképzett villanyszerelővel vagy szakképzett személynél kell elvégeznie.

(lv)

Elektriskā strāva apdraud dzīvību!

Uzstādīšana, nodošana ekspluatācijā un apkopes darbi jāveic tikai kvalificētam personālam.

(lt)

Pavojus gyvybei dėl elektros srovės!

Įrengimo, paleidimo ir techninės priežiūros darbus turi atlikti tik kvalifikuotas personalas.

(pl)

Porażenie prądem elektrycznym stanowi zagrożenie dla życia!

Instalacja urządzenia, jak również prace nad nim, muszą być wykonywane przez wykwalifikowanego elektryka lub specjalnie wyszkolony personel.

(sl)

Življenjska nevarnost zaradi električnega toka!

Dela montaže, zagona in vzdrževanja morajo izvajati samo usposobljeno osebeje.

(sk)

Nebezpečnosť ohrozenia života elektrickým prúdom!

Inštalácia prístroja, ako aj všetky práce na ňom musia byť vykonané kvalifikovaným elektrotechnikom alebo špeciálne vyškoleným personálom.

(bg)

Опасност за живота от електрически ток!

Инсталирането на устройството, както и всяка работа по него, трябва да бъде извършвано от квалифициран електротехник или от специално обучен персонал.

(ro)

Atenție! Pericol electric!

Montajul și lucrul cu acest aparat trebuie făcute numai de un electrician calificat sau de personal tehnic specializat.

(hr)

Opasnost po život uslijed električne struje!

Radove ugradnje, puštanja u pogon i održavanja mora vršiti samo kvalificirano osoblje.

(tr)

Elektrik akımı! Hayati tehlike!

Bu ürünün çalıştırılması veya kurulumu sadece elektroteknik eğitimleri almış olan ehliyetli elektrikçiler ve kişiler tarafından yapılmalıdır.

(sr)

Električna struja! Opasnost po život!

Arbeiten bzw. Montaja и диесем Продукт дарф од Електрофацхкрафтен унд електротехнисцх унтервиеесенен Персонен аусгефухрт верден.

(no)

Elektrisk strøm! Livsfare!

Installasjon av enheten, samt arbeid på den, skal kun utføres av kvalifisert personell, eller av de som er spesielt opplært til dette arbeidet.

(uk)

Електричний струм! Небезпечно для життя!

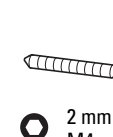
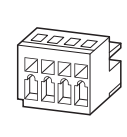
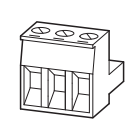
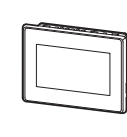
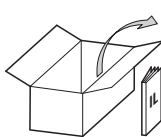
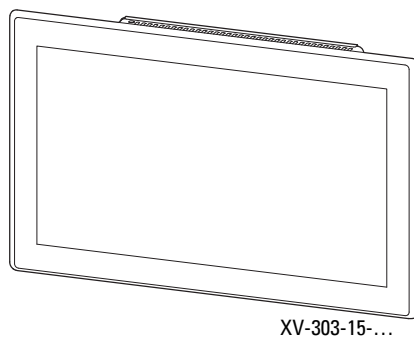
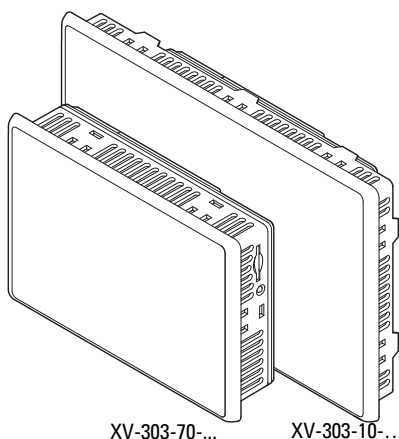
Встановлення пристрою, так само, як і робота з ним, повинні виконуватись кваліфікованим електриком або персоналом, що пройшов спеціальну підготовку.

(ar)

تحذير! تيار كهربائي! خطر موت الشبكت والتكليف و أعمال الصيانة يجب أن تقام فقط من طرف الموظفين المؤهلين

XV-303-...

XV-303-70-..., XV-303-10-..., XV-303-15-...



1x XV-303-...

● 0.75-2.5 mm²,
AWG 18-12
1x MSTB 2,5/3-ST-5,08
(Phoenix Contact)

● 0.2-1.5 mm²,
AWG 24-16
only
XV-303-...-E-...
1x WAGO 734-104

IP65/NEMA
(indoor use only –
à l'intérieur seulement)

● 2 mm (5/64")
M4 x 25 DIN 916
M ≤ 0.1 Nm (0.86 lb-in)



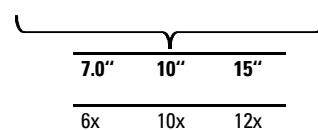
Eaton.com/documentation
MN048017...
Eaton.com/xv300



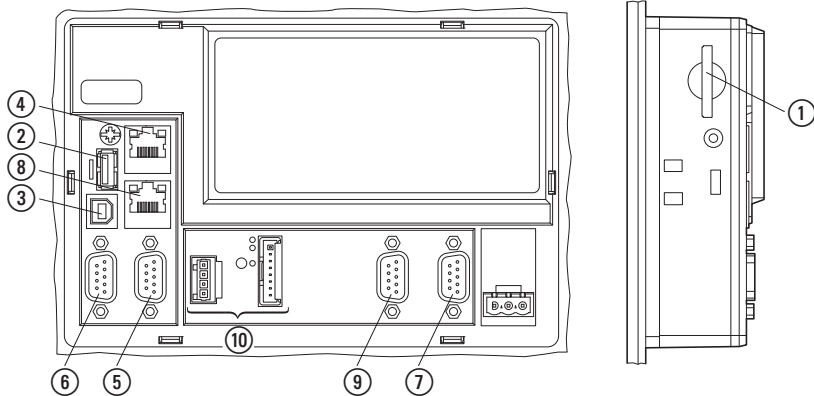
(en) Documentation must be consulted.

(de) Dokumentation muss konsultiert werden.

(fr) Documentation doivent être consultes.



Interface



XV-303-...

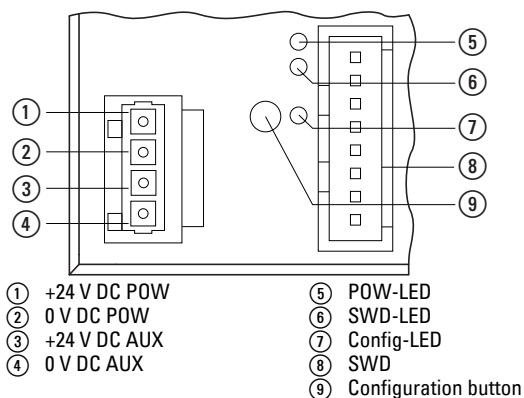
| | | |
|---|----------------------------|----------------|
| ① | SD-Slot | |
| ② | USB-Host | USB 2.0, Typ A |
| ③ | USB-Device | USB 2.0, Typ B |
| ④ | Ethernet 1 | RJ-45 |
| ⑤ | RS-485 | SUB-D |
| ⑥ | RS-232 | SUB-D |
| ⑦ | CAN | SUB-D |
| ⑧ | Ethernet 2 ¹⁾ | RJ-45 |
| ⑨ | Profibus ¹⁾ | SUB-D |
| ⑩ | SmartWire-DT ¹⁾ | |

1) if provided

RS-232, RS-485, CAN, Profibus

| Pin | RS-232 | RS-485 | CAN | Profibus |
|-----|--------|----------------------|---------|----------------------|
| | | 1 2 3 4 5 6 7 8 9 | | 5 4 3 2 1 9 8 7 6 |
| 1 | DCD | – | – | – |
| 2 | RxD | – | CAN-L | – |
| 3 | TxD | B | CAN-GND | B |
| 4 | DTR | – | – | RTSAS |
| 5 | GND | Ground | – | M5EXT |
| 6 | DSR | – | GND | P5EXT |
| 7 | RTS | A | CAN-H | – |
| 8 | CTS | – | – | A |
| 9 | RI | – | – | – |

SmartWire-DT



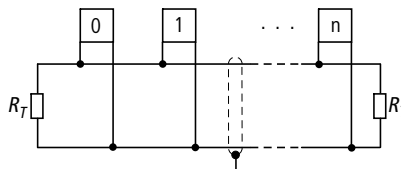
- ① +24 V DC POW
- ② 0 V DC POW
- ③ +24 V DC AUX
- ④ 0 V DC AUX

- ⑤ POW-LED
- ⑥ SWD-LED
- ⑦ Config-LED
- ⑧ SWD
- ⑨ Configuration button

Standard connection

GND

➔ Connect the GND terminals on all the bus modules.



CANopen

Profibus

| | | |
|-------|--------------|------------------------|
| R_T | 120 Ω | 120 Ω |
| | ISO 11898 | Profibus Specification |

Support

Region North America

Eaton Corporation
Electrical Sector
1111 Superior Ave.
Cleveland, OH 44114
United States
877-ETN-CARE (877-386-2273)
Eaton.com

en Other regions

Contact your local supplier or ✉

de Andere Regionen

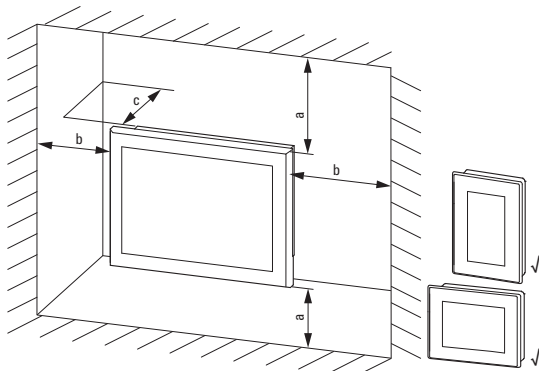
Kontaktieren Sie Ihren lokalen Lieferanten oder ✉

fr Autres régions :

contactez votre représentant local ou ✉

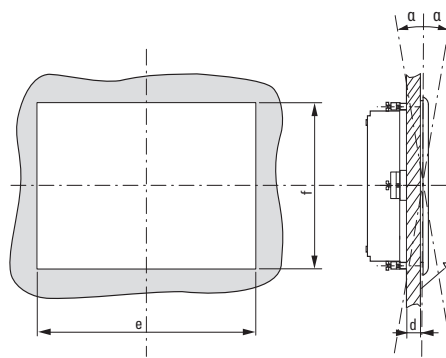
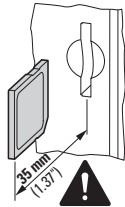
✉ automation@eaton.com

Mounting position



XV-303-10-..., XV-303-70-..., XV-303-15-...
 $a, b, c \geq 30 \text{ mm (1.18")}$

$2 \text{ mm (0.08")} \leq d \leq 5 \text{ mm (0.2")}$



XV-303-10-..., XV-303-70-...,
 $\alpha \leq \pm 45^\circ, T \leq 50^\circ \text{C (122 }^\circ\text{F)}$

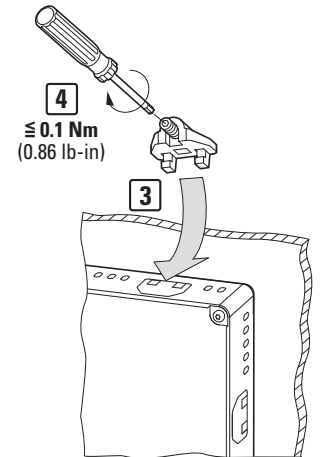
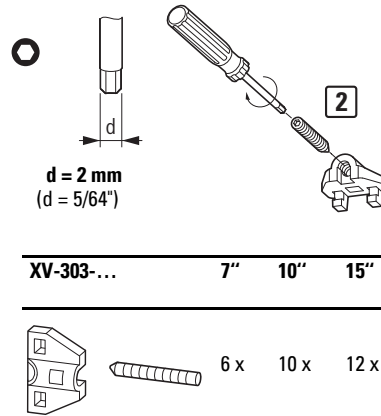
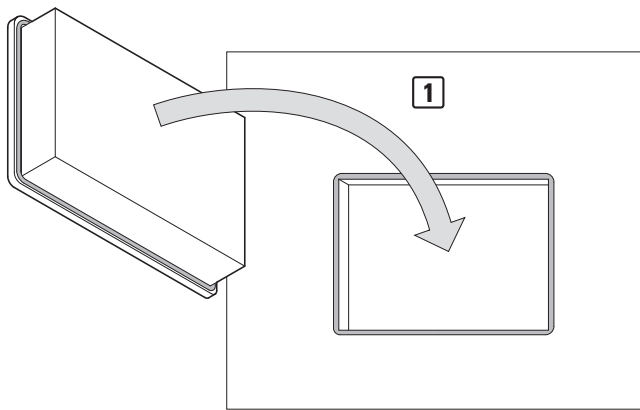
XV-303-15-00-...
 $\alpha \leq \pm 10^\circ, T \leq 50^\circ \text{C (122 }^\circ\text{F)}$
 $\alpha \leq \pm 45^\circ, T \leq 45^\circ \text{C (113 }^\circ\text{F)}$

XV-303-15-E-..., XV-303-15-02-...
 $\alpha \leq \pm 10^\circ, T \leq 50^\circ \text{C (122 }^\circ\text{F)}$

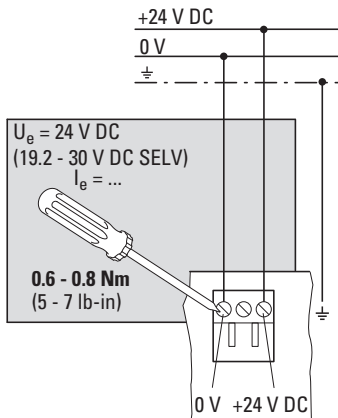
| | XV-303-70-... | XV-303-10-... | XV-303-15-... |
|---------|----------------------------|---------------|---------------|
| e | 183 ±1 | 255.5 ±1 | 387 ±1 |
| mm (in) | (7.20 ±0.04) | (10.06 ±0.04) | (15.24 ±0.04) |
| f | 122 ±1 | 160.5 ±1 | 238.5 ±1 |
| mm (in) | (4.80 ±0.04) | (6.32 ±0.04) | (9.39 ±0.04) |
| | ≤ 0.5 (0.02) | | |
| mm (in) | | | |
| | Rz ≤ 120 | | |
| | IP65: → DIN ISO 2768-2 (K) | | |

Mounting

07/23 IL04809ZU

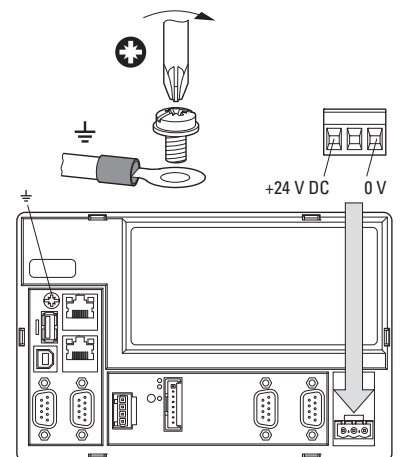


Power supply



| XV-303- | 70-... | 10-... | 15-... |
|----------------|---------------------------------|--------|--------|
| I_e [A] | ≤ 0.6 | ≤ 0.75 | ≤ 0.9 |
| I_{TH} [A²s] | 1.0 | 1.0 | 1.0 |
| | 0.75 - 2.5 mm² AWG18 - AWG12 | | |
| | use 60°C/75°C copper only | | |

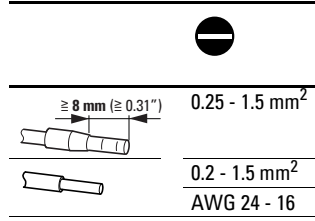
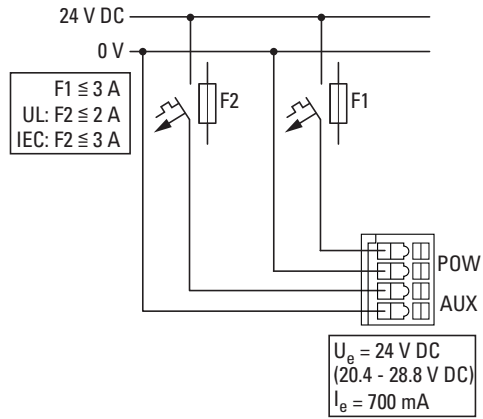
| | |
|--|---------------------------------|
| | ± |
| | ≥ 1,5 mm² |
| | ≤ AWG16 |
| | $l \leq 350 \text{ mm (13.7")}$ |
| | $d_i = 4.3 \text{ mm (0.17")}$ |
| | $d_a \leq 8 \text{ mm (0.31")}$ |
| | PZ2 |
| | M4 x 8 |
| | 1.3 Nm (11.5 lb-in) |




SmartWire-DT

XV-303-...-E-...

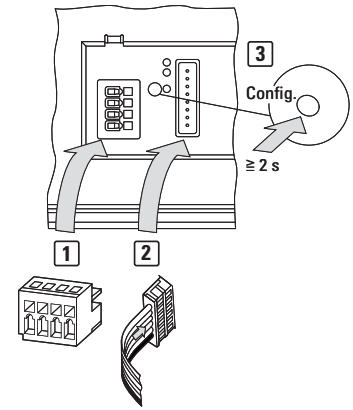
POW/AUX SmartWire-DT




Eaton.com/documentation
MN05006001Z...
MN05006002Z...
MN120006...
Eaton.com/swd

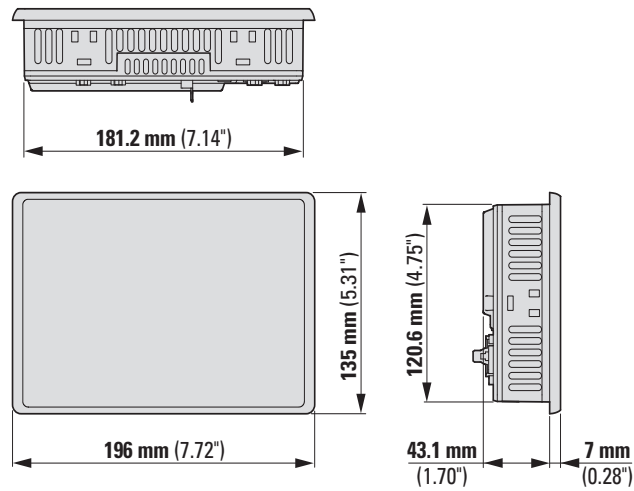
SWD-OUT
POW OFF

SWD-Config
POW ON

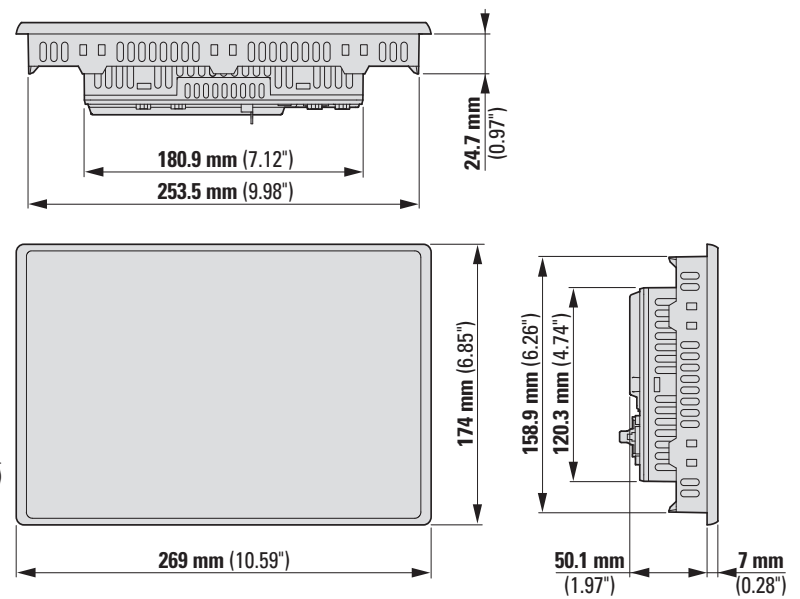


Dimensions

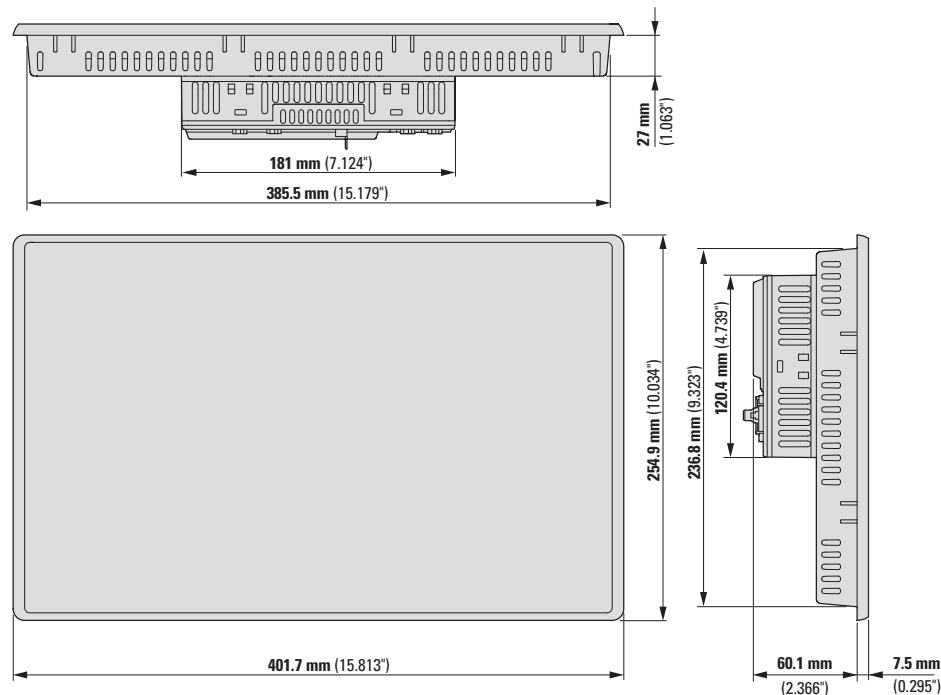
XV-303-70-...



XV-303-10-...



XV-303-15-...



07/23 IL048009ZU



Doc. No.: CE2100273

EU-Konformitätserklärung

EU declaration of conformity

Wir / We: Eaton Industries GmbH, 53105 Bonn, Germany,
Hein-Moeller-Str. 7-11, 53115 Bonn, Germany

erklären hiermit in alleiniger Verantwortung als Hersteller, dass das Produkt (die Produktfamilie)
declare under our sole responsibility as manufacturer that the product (family)

HMI-PLC XV300
HMI-PLC XV300


entsprechend der Auflistung auf Seite 2 und vorausgesetzt, dass es unter Berücksichtigung der Herstellerangaben, relevanten Einbauanweisungen und "anerkannten Regeln der Technik" installiert, gewartet und in den dafür vorgesehenen Anwendungen verwendet wird,
according to the list on page 2 and provided that it is installed, maintained and used in the application intended for, with respect to the relevant manufacturer's instructions, installation standards and "good engineering practices",

den einschlägigen Bestimmungen der Richtlinie(n) des Rates entspricht:
complies with the provisions of Council directive(s):

2014/30/EU EMV-Richtlinie / EMC Directive
2011/65/EU RoHS-Richtlinie / RoHS Directive
2014/34/EU ATEX-Richtlinie / ATEX Directive

und mit den folgenden Normen übereinstimmt:
based on compliance with the following standard(s):

EN 60079-31:2014
EN 61000-6-2:2005 + AC:2005
EN 61000-6-4:2007 + A1:2011
EN IEC 60079-0:2018
EN IEC 63000:2018

Kennzeichnung:  II 3D Ex tc IIIC T70°C IP6x
Marking:

Bonn, 18.06.2021



i.A. Edgar Willems
Director Quality
Industrial Controls & Protection Division



EATON
Powering Business Worldwide



i.A. Paolo D'Amico
Head of Product Line Management
Machine Operation & Control

Seite/page 1 / 2

Doc. No.: CE2100273

Typen des Sortiments

Types within the range

Die Konformitätserklärung gilt für folgende Typen der Produktfamilie und in Kombination mit den darunter folgenden Produkten:

The declaration of conformity applies to the following types within the product family and in combination with products listed below.

XV-303
XV-313

Bonn, 18.06.2021



i.A. Edgar Willems
Director Quality
Industrial Controls & Protection Division



EATON
Powering Business Worldwide



i.A. Paolo D'Amico
Head of Product Line Management
Machine Operation & Control

Seite/page 2 / 2

Doc. No.: UK2100142

Declaration of conformity

We, Eaton Industries GmbH, 53105 Bonn, Germany,
Hein-Moeller-Str. 7-11, 53115 Bonn, Germany

declare under our sole responsibility as manufacturer that the product (family)

HMI-PLC XV300

according to the list on page 2 and provided that it is installed, maintained and used in the application intended for, with respect to the relevant manufacturer's instructions, installation standards and "good engineering practices", complies with the statutory requirements:

- 2016 No. 1091 The Electromagnetic Compatibility Regulations 2016
- 2012 No. 3032 RoHS in Electrical and Electronic Equipment Regulations 2012
- 2016 No. 1107 ATEX Regulations 2016

based on compliance with the following standard(s):

- EN 60079-31:2014
- EN 61000-6-2:2005 + AC:2005
- EN 61000-6-4:2007 + A1:2011
- EN IEC 60079-0:2018
- EN IEC 63000:2018

Kennzeichnung:  II 3D Ex tc IIIC T70°C IP6x

Marking:

Bonn, 14.07.2021



i.A. Edgar Willems
Director Quality
Industrial Controls & Protection Division



i.A. Paolo D'Amico
Head of Product Line Management
Machine Operation & Control

 **EATON**
Powering Business Worldwide

Page 1 / 2

Doc. No.: UK2100142

Types within the range

The declaration of conformity applies to the following types within the product family and in combination with products listed below:

XV-303
XV-313

Bonn, 14.07.2021



i.A. Edgar Willems
Director Quality
Industrial Controls & Protection Division



i.A. Paolo D'Amico
Head of Product Line Management
Machine Operation & Control

 **EATON**
Powering Business Worldwide

Page 2 / 2