

Presence detector P34MR, KNX®, 5 channels, 9-10 m, IP40, for flush mounting, white

350-34002

4 year warranty

This flat lens presence detector with 5 channels is suitable for KNX® systems. It can be flush mounted in the ceiling or installed in a flush-mounting box. A black deco ring and a surface-mounting box can be ordered separately. In conformity with the European directive for EMC and safety EN 60669-2-1.

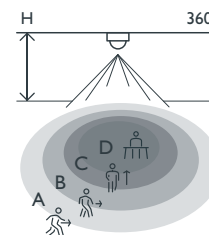
Finishing colour: white

Compatible secondary detectors: 350-34002

- High performing flat lens
- Plug-in terminals for fast installation
- Easy configuration (well-structured ETS file)
- 5 channels
- Various applications: presence, lux, constant light switch, HVAC, alarm
- Flat design, available in white and black finish (exchangeable deco ring)
- Protection degree: IP40 (Flush-mounting box) / IP44 (spring clips)
- For flush mounting or flush-mounting box, surface mounting via accessory



Detection range



H	A Walking	B Across	C Towards	D Presence
2.5 m	∅ 9 m	∅ 6 m	∅ 3 m	∅ 5 m
3.0 m	∅ 10 m	∅ 6 m	∅ 3 m	∅ 3 m

Measured according to EN/IEC63180



niko

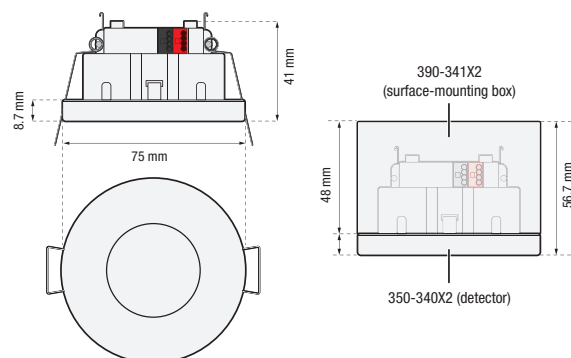
Technical data

Article number	350-34002
Compatible secondary detectors	350-34002
Input voltage	30 Vdc via KNX®-bus
Detector output	KNX®
Maximum power consumption	0.3 W
Maximum current consumption	10 mA
Light intensity range	10 lux – 2000 lux
Number of channels	5 channels: channel 1-3 for adjustable control, channel 4 for HVAC and channel 5 for light measurement
Switch-off delay	1 s – 18 h 12 min 15 s
Detection angle	360 °
Detection range (PIR)	ø 10 m from a height of 3 m
Ambient temperature	-20 – +50 °C
Mounting method	flush-mounting
Mounting height	2 – 4 m
Drill diameter	58 mm
Minimum flush-mounting depth	33 mm
Colour	white (approximately RAL 9010)
Dimensions visible (HxWxD)	75 x 75 x 8.7 mm
Dimensions (HxWxD)	75 x 75 x 41 mm
Protection degree	IP40
Protection degree	IP40 (Flush-mounting box) / IP44 (spring clips)
Impact resistance	IK02
Modification of settings	ETS software
Marking	CE

Accessories

390-34012	Deco ring for P34MR detector, black
390-34102	Surface-mounting box for P34MR, white
390-34112	Surface-mounting box for P34MR, black

Dimensions



Wiring diagram

