

# Product data sheet Spirotech

## Product name

**EMCK Maxi 125L max 4bar Twin**

## Product properties

The MultiControl Kompakt MAXI Twin is an automatic expansion and pressure-maintaining device. The unit contains 2 pumps (2x 100%) and 2 overflow valves. An unpressurised expansion tank is integrated.

- 2 pumps (2x 100%)
- 2 overflow valves (2x 100%)
- Operational pressure range up to 8.1 bar
- Comes with 6 possible vessel volumes from: 45 to 500 liters
- Two further unpressurized expansion vessels can be added
- Maximum expansion volume: 45 – 1,500 liters
- The maximum temperature at the point of connection: 70°C (over 70°C possible with auxiliary tank)
- Maximum safety temperature in the system: 110°C
- Maximum operating pressure (PN): 10 bar

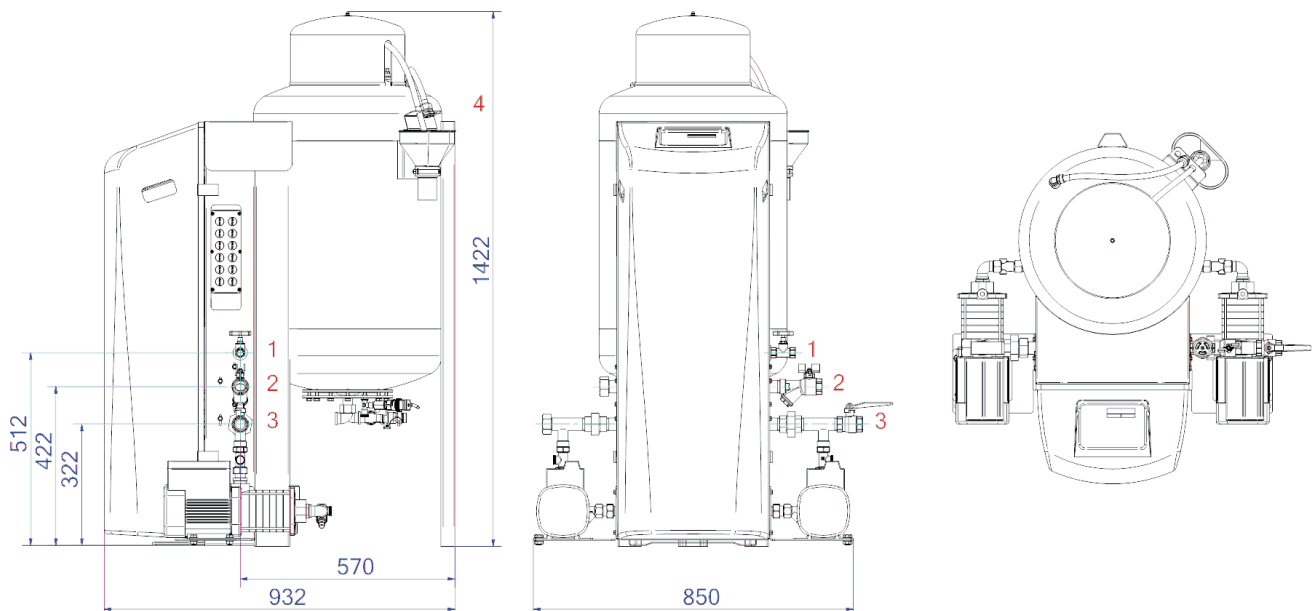
## Article number

**EMCK-M125-4.0-twin**

## Product image



## Product dimensions



1. Refill connection

Rp1/2

3. Expansion pressure pipe

Rp1

2. Expansion overflow pipe

Rp1

4. Drain funnel tank safety valve

DN50 Geberit

# Product data sheet Spirotech

## ETIM product data

|                                |                            |
|--------------------------------|----------------------------|
| Height                         | 1405 mm                    |
| Volume                         | 125 l                      |
| Max. operating pressure        | 4 bar                      |
| Connection                     | Other                      |
| Power consumption              | 1.1 kW                     |
| Couplable                      | Yes                        |
| Electrical connection          | Connection cable with plug |
| Function master/slave          | No                         |
| With pressure expansion vessel | Yes                        |
| Digital control unit           | Yes                        |

|                                       |             |
|---------------------------------------|-------------|
| Double pump                           | Yes         |
| With exchangeable membrane            | Yes         |
| Compressor in base                    | No          |
| Nominal diameter expansion connection | 1 inch (25) |
| Max. medium temperature (continuous)  | 70 °C       |
| For heating systems up to             | 1 MW        |
| Horizontal positioning                | No          |
| Connection voltage                    | 230 V       |
| Article compression class             | PN 10       |

### Disclaimer

This product sheet has been compiled with the greatest possible care. Nevertheless, it may contain errors or omissions. For the most current and correct information we refer you to our website

