

Presence detector P49LR, DALI-2, BMS, 32-37 m, for flush-mounting box, white

353-750521

4 year warranty

This presence detector is a DALI-2 BMS detector that can be part of a BMS system. The detector is specially designed for mounting in a standard flush-mounting box (60 or 79 mm diagonal screw distance). The detector needs to be commissioned with the BMS software. The detector's settings can be modified using the Niko detector tool app and using the BMS software.

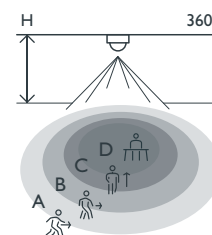
Finishing colour: white

This article is protected by at least one patent (application). For more info on patents, see www.niko.eu/innovation.

- Easy installation thanks to the direct connection to the DALI bus
- Communication with the BMS system via the DALI bus
- Power supply via the DALI bus
- Easy mounting in a standard flush-mounting box (60 or 79 mm diagonal screw distance)
- Quick cabling using screwless and easily accessible plug-in terminals
- User-friendly app for settings (iOS/Android) or BMS software
- Communication between smartphone and detector via Bluetooth®
- Possible to disable Bluetooth® communication
- Pre-configured functions:
 - adjustable PIR sensitivity (4 levels)
 - event log keeps track of recent changes
- Settings can be locked with a PIN-code



Detection range



| H | A Walking | B Across | C Towards | D Presence |
|-------|--------------|-------------|--------------|---------------|
| 2.5 m | ∅ 32 m | ∅ 28 m | ∅ 10 m | ∅ 8 m |
| 3.0 m | ∅ 37 m | ∅ 30 m | ∅ 8 m | ∅ 4 m |

Measured according to EN/IEC63180



DALI-2



BMS



360°



∅ 37 m from
a height of
3 m



2 – 3.5 m



flush-
mounting
box

niko

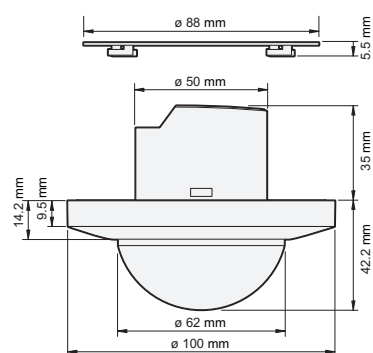
Technical data

| | |
|--|---|
| Article number | 353-750521 |
| Configuration | BMS |
| Input voltage | via the DALI bus |
| Detector output | DALI-2 |
| Maximum current consumption | 10 mA |
| Nominal current consumption (12 V, 25°C), Bluetooth® enabled | 5 mA |
| Nominal current consumption (12 V, 25°C), Bluetooth® disabled | 4 mA |
| Maximum MCB rating | 16 A (limited by national installation rules) |
| Maximum startup time DALI | < 1200 ms |
| Maximum PIR detection startup time | 1 min 10 s |
| Light intensity range | 0 lux – 10360 lux |
| Detection angle | 360° |
| Detection range (PIR) | ø 37 m from a height of 3 m |
| Ambient temperature | -25 – +40 °C |
| Mounting method | flush-mounting box |
| Mounting height | 2 – 3.5 m |
| Colour | white (approximately RAL 9010) |
| Dimensions visible (HxWxD) | 100 x 100 x 42.2 mm |
| Dimensions (HxWxD) | 100 x 100 x 77.2 mm |
| Maximum range Bluetooth® (free field, depending on the device) | 50 m |
| Operating frequency | 2.4 GHz |
| Maximum radio frequency power | -2 dBm |
| Protection degree | IP20 |
| Impact resistance | IK04 |
| Modification of settings | Niko detector tool app (iOS-Android) and BMS software |
| Halogen-free | yes |
| Marking | CE |

Accessories

| | |
|------------|--|
| 353-999879 | Lens cover for P4XLR, M4XLR and M4XHC detectors transparent (5 pieces) |
| 353-991992 | Deco ring for flush-mounted P4XLR and M4XLR detectors, black |

Dimensions



Wiring diagram

