

34 201 979



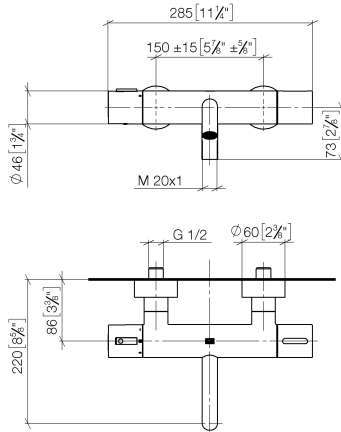
- 210mm projection
- circular normal flow
- rotary diverter with volume control and shut-off function
- 3/8" shower outlet
- slide-on rosettes Ø 60 mm
- 1/2" connection
- gauge 150 mm - 15 mm
- max. flow 16.9 l/min at 3 bar flow pressure
- WRAS

Intrinsic protection against back flow.

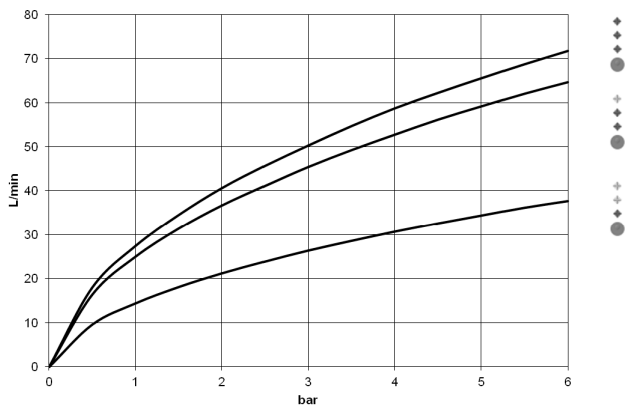
	Matte Black	34 201 979-33
	Chrome	34 201 979-00
	Brushed Platinum	34 201 979-06
	Dark Chrome	34 201 979-19
	Light Gold (PVD)	34 201 979-26
	Brushed Light Gold (PVD)	34 201 979-27
	Brushed Gold (PVD)	34 201 979-37
	Brushed Dark Brass (PVD)	34 201 979-39
	Brushed Bronze (PVD)	34 201 979-42
	Brushed Chrome	34 201 979-93
	Brushed Dark Platinum	34 201 979-99

34 201 979

mm [inches]



Flow rate chart



Codes & Standards

DIN 4109

EN 1717

ISO 3822

Scottish Water
Byelaws

UK Water Supply
Regulations

Ü-Zeichen



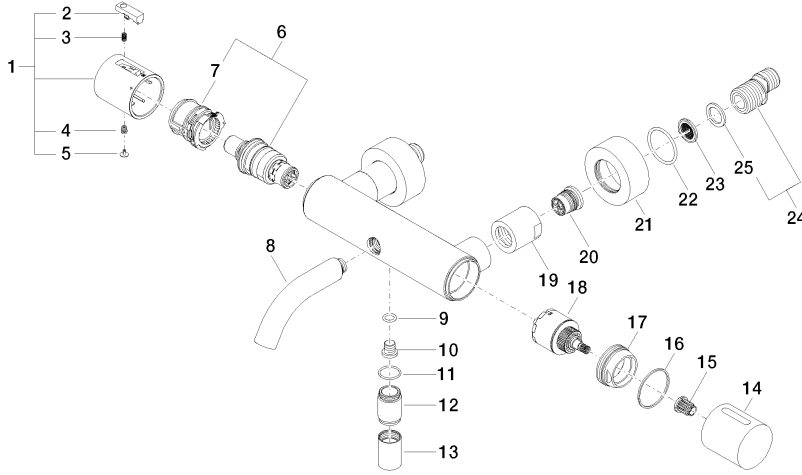
34 201 979

Certificates and sustainability

WRAS_2201	LGA_18	Belgaqua_21-032-2	EPD-DOR-20230287	Belgaqua_25-342-2
			-IBA1-EN	
			Environmental.prod	
			uct-declarat	

34 201 979

Parts for other
finishes can be found
here: [Chrome](#)



34 201 979

Spare parts list

No.	Item Number	Name	Quantity used	Delivery time
18	90 15 05 033 00 90	Head part Ø 35 x 57 mm -	1.00	14
25	09 14 20 010 90	Washer Vf 3110 24,0 x 17,0 x 2,0 mm -	2.00	14
7	90 30 40 010 00 90	Controller for thermostat cartridges -	1.00	14
21	09 27 62 004-33	Rosette Ø 60 x 25 mm - Matte Black	2.00	40
2	90 21 33 011 00-13	Repair kit for thermostat handle - black	1.00	14
15	90 12 12 002 00 90	Fixing cap white Ø 15 x 12 mm -	1.00	14
6	90 15 02 070 00 90	Thermostat cartridge Ø 39 x 92 mm, 26 l/min. -	1.00	14
23	09 29 03 020 90	Sieve seal for thermostat -	2.00	14
9	09 14 10 139 90	O-Ring EPDM 70 9,0 x 2,0 mm -	1.00	14
3	90 16 02 027 00 90	Spring Ø 4,5 x 7,5 mm -	1.00	14
10	08 30 30 701 90	Mounting Bolt with hexagon socket SW 5 M10 x 1 mm -	1.00	14
22	09 14 10 119 90	O-Ring EPDM 70 33,0 x 2,5 mm -	2.00	14
13	90 21 02 069 00-33	Cover/sleeve M20 x 1 - Matte Black	1.00	40
4	90 30 30 136 00 90	Bolt -	1.00	14
1	90 17 33 004 00-33	Handle for thermostat Ø 46 x 48 mm - Matte Black	1.00	-
Spare part can no longer be ordered, please order the replacement item				
	90173302000-33	Handle for thermostat Ø 46 x 48 mm - Matte Black		
12	09 24 03 115 20-33	Nipple Ø 22 x 33 mm - Matte Black	1.00	40
20	90 29 05 024 00 90	Connection Seat Ø 24 x 21,5 mm -	2.00	14
8	90 11 06 214 00-33	Spout with aerator key 90 x 145 x 35 mm, 22 l/min. - Matte Black	1.00	40
16	09 14 15 052 90	Slip ring Ø 40,5 x 1,5 mm -	1.00	14
17	09 24 04 141-33	Mounting Ø 40 x 18 mm - Matte Black	1.00	40
24	04 11 04 032 00 90	S-connection with sound damper 1 pair G1/2 x G3/4 -	2.00	14
14	09 20 97 020-33	Handle for thermostat Ø 46 x 49 mm - Matte Black	1.00	40
5	90 31 20 049 00-13	Plug - black	1.00	40
11	90 14 10 032 00 90	O-Ring 18,1 x 1,6 mm -	1.00	14
19	09 23 10 048-33	Mounting Ø 33 x 34 mm - Matte Black	2.00	40