

Hand shower set with cover plate - Matte Black

SERIES SPECIFIC

27 818 980 Product version up to 7/19/2018



- COMPACT RAIN, max. flow rate 15 l/min (at 3 bar)
- Function from: 5 l/min
- inherently safe from back flow
- with anti-scale system
- metal shower hose 1250mm with integrated anti-twist protection

Technical data:

- cover plate 240 x 60 mm
- 1/2" wall elbow
- 3/8" shower outlet

Notes:

	Matte Black	27 818 980-33
	Chrome	27 818 980-00
	Brushed Platinum	27 818 980-06
	Platinum	27 818 980-08
	Dark Chrome	27 818 980-19
	Brushed Light Gold (PVD)	27 818 980-27
	Brushed Durabrass (23kt Gold)	27 818 980-28
	Brushed Gold (PVD)	27 818 980-37
	Brushed Dark Brass (PVD)	27 818 980-39
	Brushed Bronze (PVD)	27 818 980-42
	Brushed Dark Bronze (PVD)	27 818 980-43
	Brushed Champagne (22kt Gold)	27 818 980-46
	Champagne (22kt Gold)	27 818 980-47
	Brushed Chrome	27 818 980-93
	Brushed Dark Platinum	27 818 980-99

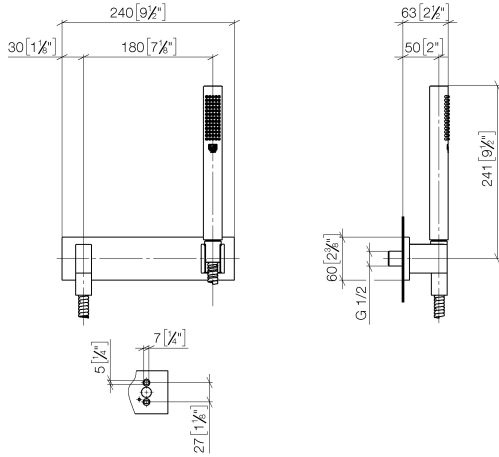
Recommended miscellaneous

- Concealed wall elbow -** 35 085 970 90
- min. recess depth 90 mm
 - max. recess depth 163 mm

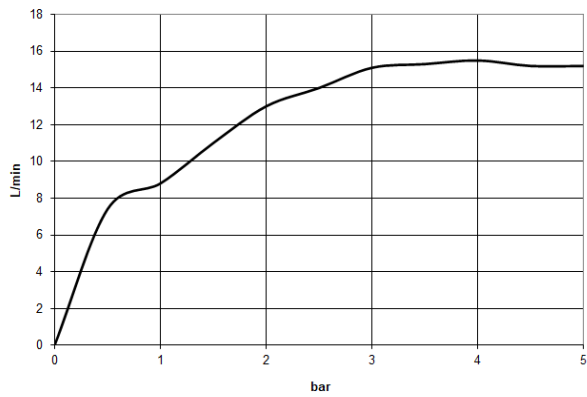


27 818 980 Product version up to 7/19/2018

mm [inches]



Flow rate chart



Codes & Standards

DIN 4109

EN 1717

ISO 3822

Scottish Water
Byelaws

UK Water Supply
Regulations

Ü-Zeichen



Hand shower set with cover plate - Matte Black

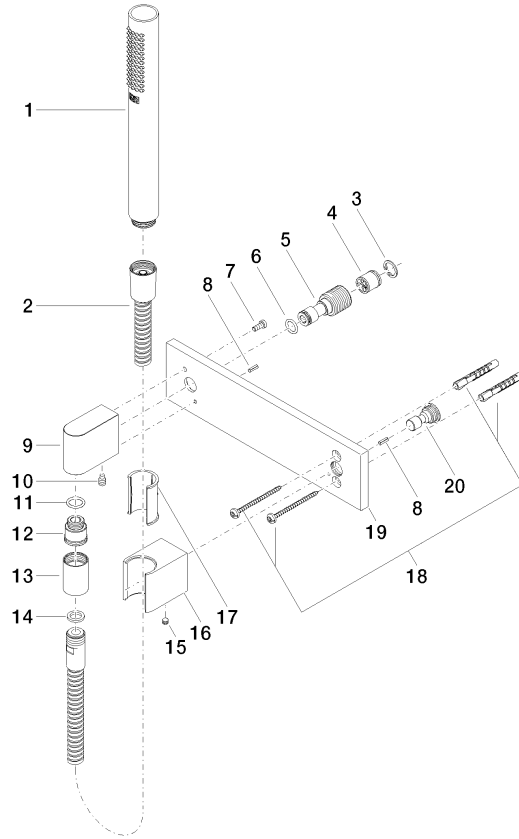
SERIES SPECIFIC

27 818 980 Product version up to 7/19/2018

Certificates and sustainability

LGA_29

Belgaqua_22_280_2 WRAS_2209



Spare parts list

No.	Item Number	Name	Quantity used	Delivery time
13	90 21 02 069 00-33	Cover/sleeve M20 x 1 - Matte Black	1.00	40
9	09 11 03 046-33	Wall elbow - Matte Black	1.00	40
16	09 17 20 044-33	Wall bracket Elemental SPA Symetrics - Matte Black	1.00	40
17	09 18 40 078 90	Holder for hand shower Receptacle Ø 27,5 x 40,5 mm -	1.00	14
10	04 31 11 140 00 90	Mounting Threaded pin M6 x 10 mm -	1.00	14
18	05 30 31 025 00 90	Mounting Bolt Round head 4,5 x 60 mm -	1.00	14
5	09 24 03 116 20 90	Nipple Ø 21 x 50 mm -	1.00	14
3	09 16 01 014 90	Ring Retaining ring Ø 15 x 1 mm -	1.00	14
14	90 14 20 026 00 90	Washer 14 x 8 x 2 mm Centellen WS 3820 -	1.00	14
11	90 14 10 077 00 90	O-Ring EPDM 70 12,0 x 2,0 mm -	1.00	14
4	90 23 01 141 00 90	Back-flow preventer -	1.00	14
6	09 14 10 008 90	O-Ring 10,0 x 2,0 mm -	1.00	14
15	90 31 11 112 00 90	Mounting Threaded pin M5 x 6 mm -	1.00	14
19	09 11 02 120-33	Rosette for spray sets 240 x 60 x 9 mm - Matte Black	1.00	40
2	90 30 02 072 00-33	Metal shower hose 1/2" x 3/8" x 1250 mm - Matte Black	1.00	40
20	09 24 03 073 90	Nipple Ø 18 x 28 mm -	1.00	14
8	09 31 11 026 90	Grooved pin Ø 5 x12 mm -	2.00	14
7	09 30 30 054 90	Mounting Cylinder head screw with hexagon socket with low profile M4 x 10 mm -	1.00	14
12	09 24 03 107 20 90	Nipple Ø 20 x 21,5 mm -	1.00	14
1	90 12 11 140 40-33	Bar-type hand shower 15 l/min. - Matte Black	1.00	-

Spare part can no longer be ordered, please order the replacement item