

Presence detector P49MR, DALI-2, BMS, 12-13 m, for flush-mounting box, white

353-650521

4 year warranty

This flat and discrete presence detector is a DALI-2 BMS detector that can be part of a BMS system. The detector is specially designed for mounting in a standard flush-mounting box (60 or 79 mm diagonal screw distance). The detector needs to be commissioned with the BMS software. The detector's settings can be modified using the Niko detector tool app and using the BMS software.

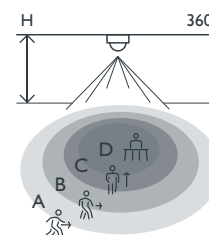
Finishing colour: white

This article is protected by at least one patent (application). For more info on patents, see www.niko.eu/innovation.

- Flat and discrete design
- Easy installation thanks to the direct connection to the DALI bus
- Communication with the BMS system via the DALI bus
- Power supply via the DALI bus
- Easy mounting in a standard flush-mounting box (60 or 79 mm diagonal screw distance)
- Quick cabling using screwless and easily accessible plug-in terminals
- User-friendly app for settings (iOS/Android) or BMS software
- Communication between smartphone and detector via Bluetooth®
- Possible to disable Bluetooth® communication
- Pre-configured functions:
 - adjustable PIR sensitivity (4 levels)
 - event log keeps track of recent changes
- Settings can be locked with a PIN-code



Detection range



H	A Walking	B Across	C Towards	D Presence
2.5 m	∅ 13 m	∅ 11 m	∅ 3 m	∅ 5 m
3.0 m	∅ 12 m	∅ 12 m	∅ 3 m	∅ 5 m

Measured according to EN/IEC63180



DALI-2



BMS



360°



∅ 12 m from
a height of
3 m



2 – 3.5 m



flush-
mounting
box

niko

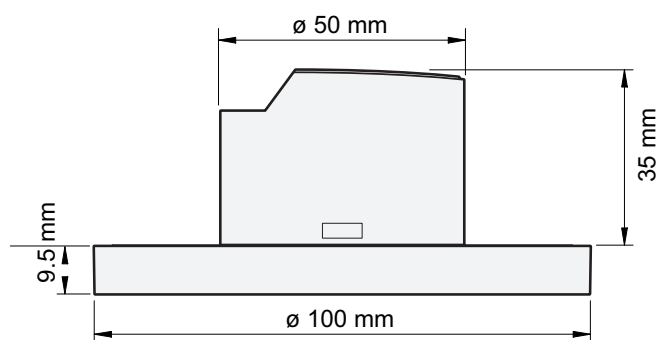
Technical data

Article number	353-650521
Configuration	BMS
Input voltage	via the DALI bus
Detector output	DALI-2
Maximum current consumption	10 mA
Nominal current consumption (12 V, 25°C), Bluetooth® enabled	5 mA
Nominal current consumption (12 V, 25°C), Bluetooth® disabled	4 mA
Maximum MCB rating	16 A (limited by national installation rules)
Maximum startup time DALI	< 1200 ms
Maximum PIR detection startup time	1 min 10 s
Light intensity range	0 lux – 10360 lux
Detection angle	360°
Detection range (PIR)	ø 12 m from a height of 3 m
Ambient temperature	-25 – +40 °C
Mounting method	flush-mounting box
Mounting height	2 – 3.5 m
Colour	white (approximately RAL 9010)
Dimensions visible (HxWxD)	100 x 100 x 9.5 mm
Dimensions (HxWxD)	100 x 100 x 44.5 mm
Maximum range Bluetooth® (free field, depending on the device)	50 m
Operating frequency	2.4 GHz
Maximum radio frequency power	-2 dBm
Protection degree	IP20
Impact resistance	IK02
Modification of settings	Niko detector tool app (iOS-Android) and BMS software
Halogen-free	yes
Marking	CE

Accessories

353-999869	Lens cover for P4XMR and M4XMR detectors, transparent (5 pieces)
353-990992	Deco ring for flush-mounted P4XMR and M4XMR detectors, black

Dimensions



Wiring diagram

