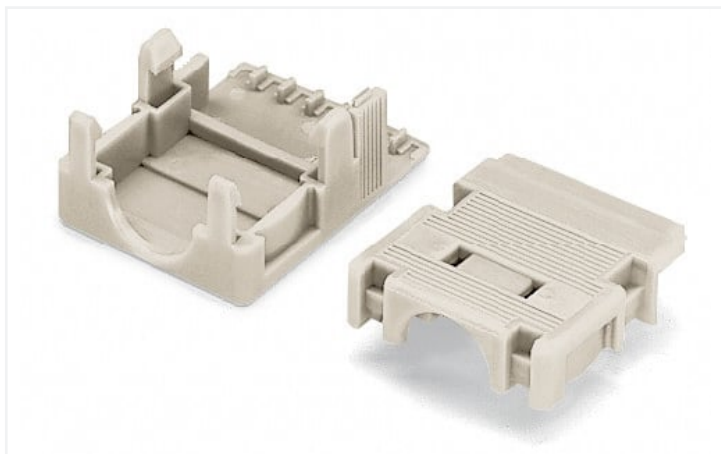


## Data Sheet | Item Number: 734-612

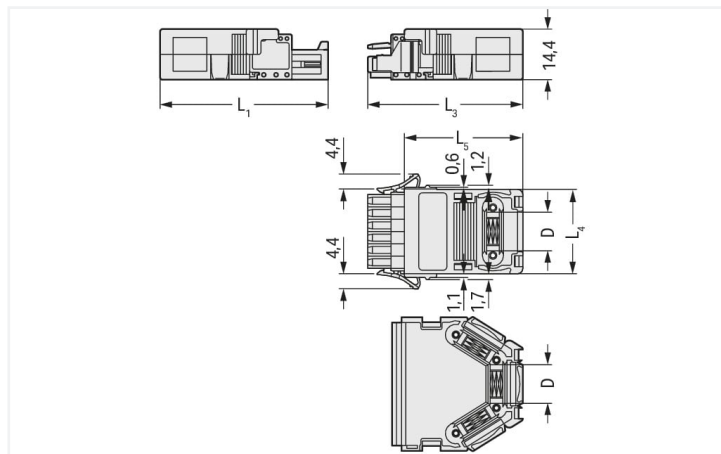
Strain relief housing; for female and male connectors; 2 parts; Pin spacing 3.5 mm;  
12-pole; light gray

<https://www.wago.com/734-612>



Color: ■ light gray

Similar to illustration



Dimensions in mm

### Strain Relief Housing Dimensions (in mm):

Pole No.	L4	L3	L1	L5	D
2	10.0	43.1	46.8	32.7	5.0
3	13.5	43.1	46.8	32.7	8.5
4	17.0	43.1	46.8	32.7	8.5
5	20.5	43.1	46.8	32.7	8.5
6	24.0	44.1	47.8	33.7	11.5
7	27.5	44.1	47.8	33.7	11.5
8	31.0	44.1	47.8	33.7	11.5
9	34.5	44.1	47.8	33.7	11.5
10	38.0	53.1	56.8	42.7	11.5
11	41.5	53.1	56.8	42.7	11.5
12	45.0	53.1	56.8	42.7	11.5

- Suitable for cable clamp
- 1 x cable outlet (rear side)
- 2 x cable outlet (side)
- Integrated covers, can be opened

### Connection data

#### Connection 1

Pole number 12

### Physical data

Pin spacing	3.5 mm / 0.138 inches
Width	45 mm / 1.772 inches
Height	14.4 mm / 0.567 inches
Depth	42.7 mm / 1.681 inches

### Mechanical data

Suitable	for standard male and female connectors
----------	-----------------------------------------

### Material data

Note (material data)	<a href="https://www.wago.com/us/material-specifications">Information on material specifications can be found here</a>
Color	light gray
Material group	I
Insulation material	Polyamide (PA66)
Flammability class per UL94	V0
Fire load	0.218 MJ
Weight	7.7 g

### Commercial data

Product Group	3 (Multi Conn. System)
eCl@ss 10.0	27-44-04-92
eCl@ss 9.0	27-44-04-92
ETIM 8.0	EC002848
ETIM 7.0	EC002848
PU (SPU)	25 pcs
Packaging type	Box
Country of origin	DE
GTIN	4017332590761
Customs tariff number	39269097900

### Environmental Product Compliance

RoHS Compliance Status	Compliant, No Exemption
------------------------	-------------------------

### Approvals / Certificates

#### General approvals



Approval	Standard	Certificate Name
CCA DEKRA Certification B.V.	EN 61984	2169534.02
CCA DEKRA Certification B.V.	EN 61984	nl-54190

#### Approvals for marine applications



Approval	Standard	Certificate Name
ABS American Bureau of Ship- ping	-	19-HG1869876-PDA
DNV DNV GL SE	-	TAE000016Z
LR Lloyds Register	IEC 61984	96/20035 (E5)

**Downloads**

**Environmental Product Compliance**

**Compliance Search**

Environmental Product Compliance 734-612



**Documentation**

**Additional Information**

Technical Section

03.04.2019

pdf

2010.85 KB



**CAD/CAE-Data**

**CAD data**

2D/3D Models 734-612



**CAE data**

EPLAN Data Portal 734-612



ZUKEN Portal 734-612



**1 Compatible Products**

**1.1 Required Accessories**

**1.1.1 Strain relief**

**1.1.1.1 Mounting accessories**



[Item No.: 209-177](#)

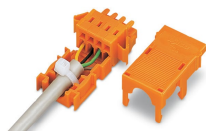
Cable clamp; for strain relief; 4- to 6-pole

[Item No.: 209-172](#)

Fixing screws; for cable clamp; 6- to 12-pole

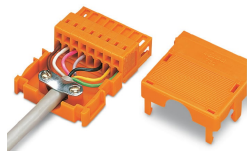
**Installation Notes**

**Application**



4-pole, 1-conductor female connector, with locking levers and strain relief housing (2- to 5-pole strain relief housing suitable only for cable ties)

## Application



8-pole; 1-conductor male connector; with strain relief housing (6- to 12-pole strain relief housings suitable for cable clamp)