

Data Sheet | Item Number: 232-842/039-000

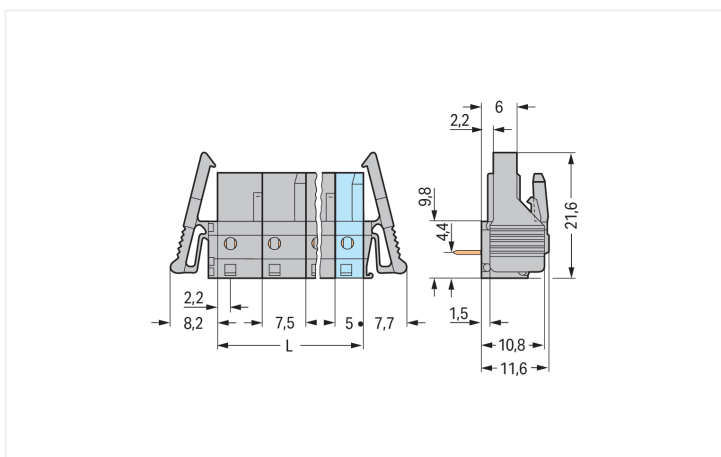
THT female header; angled; Pin spacing 7.5 mm; 12-pole; Locking lever; 0.6 x 1.0 mm solder pin; gray

<https://www.wago.com/232-842/039-000>



Color: ■ gray

Similar to illustration



Dimensions in mm

L = (pole no. - 1) x pin spacing + 5 mm
Distance to first solder pin: 2.2 mm
2- to 3-pole female connectors - one latch only

Female connector, 232 Series, with 7.5 mm pin spacing

Enjoy easy electrical installations with this female connector (item number 232-842/039-000). The dimensions are (103.4 x 16.6 x 18.25) mm (width x height x depth).

The contact surface is coated with tin. The pcb connector is designed for THT soldering.

Notes

Safety Information

The MCS – MULTI CONNECTION SYSTEM includes connectors without breaking capacity in accordance with DIN EN 61984. When used as intended, these connectors must not be connected/disconnected when live or under load. When used as intended, these connectors must not be connected/disconnected when live or under load. The circuit design should ensure header pins, which can be touched, are not live when unmated.

Variants:

Other pole numbers
3.8 mm pin projection for male headers with straight solder pins
Gold-plated or partially gold-plated contact surfaces
Other versions (or variants) can be requested from WAGO Sales or configured at <https://configurator.wago.com/>.

Electrical data

| Ratings per | IEC/EN 60664-1 | | |
|---------------------------------|----------------|-------|--------|
| Overtoltage category | III | III | II |
| Pollution degree | 3 | 2 | 2 |
| Nominal voltage | 500 V | 630 V | 1000 V |
| Rated impulse withstand voltage | 6 kV | 6 kV | 6 kV |
| Rated current | 12 A | 12 A | 12 A |

| Approvals per | UL 1059 | | |
|---------------|---------|---|-------|
| Use group | B | C | D |
| Rated voltage | 300 V | - | 300 V |
| Rated current | 15 A | - | 10 A |

| Approvals per | UL 1977 |
|---------------|---------|
| Rated voltage | 600 V |
| Rated current | 15 A |

| Approvals per | CSA | | |
|---------------|-------|---|-------|
| Use group | B | C | D |
| Rated voltage | 300 V | - | 300 V |
| Rated current | 15 A | - | 10 A |

Connection Data

| | |
|----------------------------|----|
| Clamping units | 12 |
| Total number of potentials | 12 |
| Number of connection types | 1 |
| Number of levels | 1 |

| Connection 1 | |
|--------------|----|
| Pole number | 12 |

Physical data

| | |
|--------------------------------------|-------------------------|
| Pin spacing | 7.5 mm / 0.295 inches |
| Width | 103.4 mm / 4.071 inches |
| Height | 16.6 mm / 0.654 inches |
| Height from the surface | 11.6 mm / 0.457 inches |
| Depth | 18.25 mm / 0.719 inches |
| Solder pin length | 5 mm |
| Solder pin dimensions | 0.6 x 1 mm |
| Drilled hole diameter with tolerance | 1.3 (+0.1) mm |

Mechanical data

| | |
|--------------------------|-----|
| Variable coding | Yes |
| Anti-rotation protection | Yes |

Plug-in connection

| | |
|------------------------------------|-------------------------|
| Contact type (pluggable connector) | Female connector/socket |
| Connector (connection type) | for PCB |
| Mismating protection | No |
| Mating direction to the PCB | 0° |
| Locking of plug-in connection | Locking lever |

PCB contact

| | |
|-------------------------------------|--|
| PCB contact | THT |
| Solder pin arrangement | over the entire female connector (in-line) |
| Number of solder pins per potential | 1 |

Material data

| | |
|------------------------------------|--|
| Note (material data) | Information on material specifications can be found here |
| Color | gray |
| Material group | I |
| Insulation material (main housing) | Polyamide (PA66) |
| Flammability class per UL94 | V0 |
| Contact material | Copper alloy |
| Contact Plating | Tin |
| Fire load | 0.285 MJ |
| Weight | 14.1 g |

Environmental requirements

| | | |
|-------------------------|-----------------|--|
| Limit temperature range | -60 ... +100 °C | <h4>Environmental Testing</h4> |
| Processing temperature | -35 ... +60 °C | |
| | | Test specification: DIN EN 50155 (VDE 0115-200):2022-06 Railway applications – Rolling stock – Electronic equipment |
| | | Test procedure: DIN EN 61373 (VDE 0115-0106):2011-04 Railway applications – Rolling stock equipment – Vibration and shock tests |
| | | Spectrum/Mounting location Service life test, Category 1, Class A/B |
| | | Functional test with noise-like oscillations Test passed according to Section 8 of the standard |
| | | Frequency $f_1 = 5 \text{ Hz}$ to $f_2 = 150 \text{ Hz}$ |
| | | Acceleration 0.101g (highest test level used for all axes) |
| | | Test duration per axis 10 min. |
| | | Test directions X, Y and Z axes |
| | | Monitoring of contact faults and interruptions Passed |
| | | Voltage drop measurement before and after each axis Passed |
| | | Simulated service life test through increased levels of noise-like oscillations Test passed according to Section 9 of the standard |
| | | Frequency $f_1 = 5 \text{ Hz}$ to $f_2 = 150 \text{ Hz}$ |
| | | Acceleration 0.572g (highest test level used for all axes) |
| | | Test duration per axis 5 h |
| | | Test directions X, Y and Z axes |
| | | Extended testing: Monitoring of contact faults and interruptions Passed |
| | | Extended testing: Voltage drop measurement before and after each axis Passed |
| | | Shock test Test passed according to Section 10 of the standard |

| Environmental Testing | |
|---|---|
| Shock pulse form | Half sine |
| Acceleration | 5g (highest test level used for all axes) |
| Shock duration | 30 ms |
| Number of shocks (per axis) | 3 pos. und 3 neg. |
| Test directions | X, Y and Z axes |
| Extended testing: Monitoring of contact faults and interruptions | Passed |
| Extended testing: Voltage drop measurement before and after each axis | Passed |
| Vibration and shock stress for rolling stock equipment | Passed |

| Commercial data | |
|-----------------------|---------------|
| PU (SPU) | 10 pcs |
| Packaging type | Box |
| Country of origin | DE |
| GTIN | 4055143582186 |
| Customs tariff number | 85366990990 |

| Product Classification | |
|------------------------|----------------------|
| UNSPSC | 39121409 |
| eCl@ss 10.0 | 27-44-04-02 |
| eCl@ss 9.0 | 27-44-04-02 |
| ETIM 9.0 | EC002637 |
| ETIM 10.0 | EC002637 |
| ECCN | NO US CLASSIFICATION |

| Environmental Product Compliance | |
|----------------------------------|-------------------------|
| RoHS Compliance Status | Compliant, No Exemption |

Approvals / Certificates

General approvals



| Approval | Standard | Certificate Name |
|--------------------------------------|----------|------------------|
| UR Underwriters Laboratories Inc. | UL 1059 | E45172 |
| UR Underwriters Laboratories Inc. | UL 1977 | E 45171 |

Declarations of conformity and manufacturer's declarations



| Approval | Standard | Certificate Name |
|-------------------------------|----------|------------------|
| Railway WAGO GmbH & Co. KG | - | Railway Ready |


Approvals for marine applications



| Approval | Standard | Certificate Name |
|---|----------|------------------|
| ABS American Bureau of Ship- ping | - | 24-0095975-PDA |
| DNV DNV GL SE | - | TAE000016Z |

Downloads


Environmental Product Compliance

| Compliance Search |
|--|
| Environmental Product Compliance 232-842/039-000  |

Documentation

| Additional Information |
|--|
| Technical Section 03.04.2019 pdf 2027.26 KB  |

CAD/CAE-Data

| PCB Design |
|--|
| Symbol and Footprint via SamacSys 232-842/039-000  |
| Symbol and Footprint via Ultra Librarian 232-842/039-000  |

1 Compatible Products

1.1 System counterpart

1.1.1 Male connector/plug



Item No.: 731-612
 1-conductor male connector; CAGE
 CLAMP®; 2.5 mm²; Pin spacing 7.5 mm;
 12-pole; 2,50 mm²; gray

1.2 Optional Accessories

1.2.1 Test and measurement

1.2.1.1 Testing accessories



Item No.: 210-136

Test plug; 2 mm Ø; with 500 mm cable; red

Item No.: 231-662

Test plugs for female connectors; for 7.5 mm and 7.62 mm pin spacing; 2,50 mm²; light gray