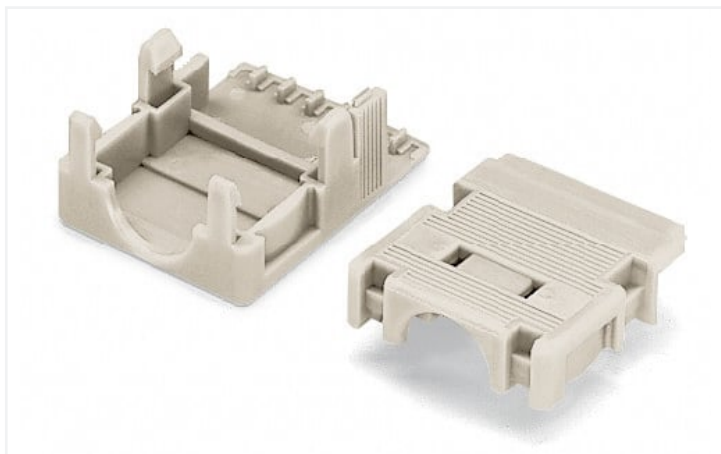


## Data Sheet | Item Number: 734-608

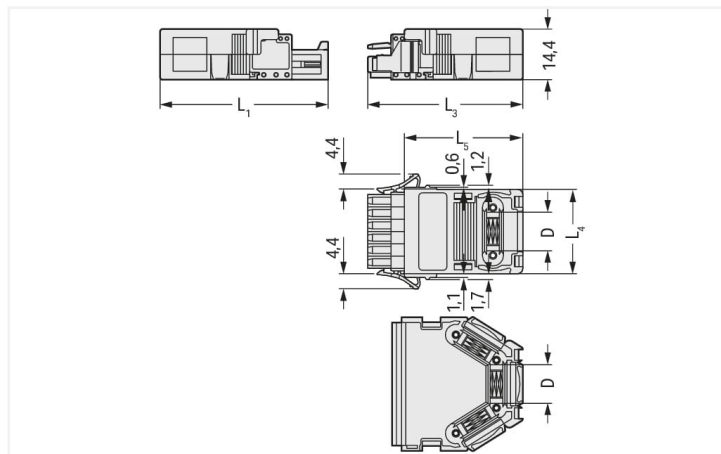
Strain relief housing; for female and male connectors; 2 parts; Pin spacing 3.5 mm;  
8-pole; light gray

<https://www.wago.com/734-608>



Color: ■ light gray

Similar to illustration



Dimensions in mm

### Strain Relief Housing Dimensions (in mm):

| Pole No. | L4   | L3   | L1   | L5   | D    |
|----------|------|------|------|------|------|
| 2        | 10.0 | 43.1 | 46.8 | 32.7 | 5.0  |
| 3        | 13.5 | 43.1 | 46.8 | 32.7 | 8.5  |
| 4        | 17.0 | 43.1 | 46.8 | 32.7 | 8.5  |
| 5        | 20.5 | 43.1 | 46.8 | 32.7 | 8.5  |
| 6        | 24.0 | 44.1 | 47.8 | 33.7 | 11.5 |
| 7        | 27.5 | 44.1 | 47.8 | 33.7 | 11.5 |
| 8        | 31.0 | 44.1 | 47.8 | 33.7 | 11.5 |
| 9        | 34.5 | 44.1 | 47.8 | 33.7 | 11.5 |
| 10       | 38.0 | 53.1 | 56.8 | 42.7 | 11.5 |
| 11       | 41.5 | 53.1 | 56.8 | 42.7 | 11.5 |
| 12       | 45.0 | 53.1 | 56.8 | 42.7 | 11.5 |

- Suitable for cable clamp
- 1 x cable outlet, rear

### Connection data

#### Connection 1

Pole number 8

### Physical data

|             |                        |
|-------------|------------------------|
| Pin spacing | 3.5 mm / 0.138 inches  |
| Width       | 31 mm / 1.22 inches    |
| Height      | 14.4 mm / 0.567 inches |
| Depth       | 33.7 mm / 1.327 inches |

### Mechanical data

|          |   |
|----------|---|
| Suitable | for standard male and female connectors |
|----------|---|

### Material data

|                             |  |
|-----------------------------|--|
| Note (material data)        | <a href="https://www.wago.com/us/material-specifications">Information on material specifications can be found here</a> |
| Color                       | light gray   |
| Material group              | I  |
| Insulation material         | Polyamide (PA66)   |
| Flammability class per UL94 | V0   |
| Fire load                   | 0.139 MJ   |
| Weight                      | 4.8 g  |

### Commercial data

|                       |                        |
|-----------------------|------------------------|
| Product Group         | 3 (Multi Conn. System) |
| eCl@ss 10.0           | 27-44-04-92            |
| eCl@ss 9.0            | 27-44-04-92            |
| ETIM 8.0              | EC002848               |
| ETIM 7.0              | EC002848               |
| PU (SPU)              | 25 pcs                 |
| Packaging type        | Box                    |
| Country of origin     | DE                     |
| GTIN                  | 4017332589697          |
| Customs tariff number | 39269097900            |

### Environmental Product Compliance

|                        |                         |
|------------------------|-------------------------|
| RoHS Compliance Status | Compliant, No Exemption |
|------------------------|-------------------------|

### Approvals / Certificates

#### General approvals



| Approval                        | Standard | Certificate Name |
|---------------------------------|----------|------------------|
| CCA<br>DEKRA Certification B.V. | EN 61984 | 2169534.02       |
| CCA<br>DEKRA Certification B.V. | EN 61984 | nl-54190         |

#### Approvals for marine applications



| Approval                                | Standard  | Certificate Name |
|---|-----------|------------------|
| ABS<br>American Bureau of Ship-<br>ping | -         | 19-HG1869876-PDA |
| DNV<br>DNV GL SE                        | -         | TAE000016Z       |
| LR<br>Lloyds Register                   | IEC 61984 | 96/20035 (E5)    |

## Downloads

### Environmental Product Compliance

#### Compliance Search

Environmental Product Compliance 734-608



## Documentation

### Additional Information

Technical Section

03.04.2019

pdf

2010.85 KB



## CAD/CAE-Data

### CAD data

2D/3D Models 734-608



### CAE data

EPLAN Data Portal 734-608



ZUKEN Portal 734-608



## 1 Compatible Products

### 1.1 Required Accessories

#### 1.1.1 Strain relief

##### 1.1.1.1 Mounting accessories



[Item No.: 209-177](#)

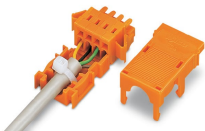
Cable clamp; for strain relief; 4- to 6-pole

[Item No.: 209-172](#)

Fixing screws; for cable clamp; 6- to 12-pole

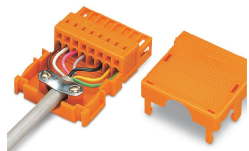
## Installation Notes

### Application



4-pole, 1-conductor female connector, with locking levers and strain relief housing (2- to 5-pole strain relief housing suitable only for cable ties)

## Application



8-pole; 1-conductor male connector; with strain relief housing (6- to 12-pole strain relief housings suitable for cable clamp)