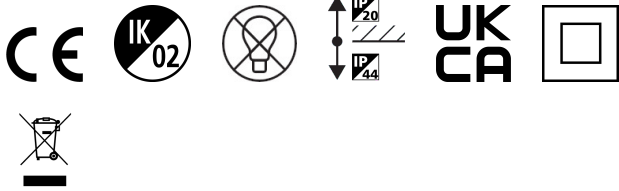


INSET TR SW IP44 INDOOR BA EX-LMP

Item No: 3084061

SYLVANIA

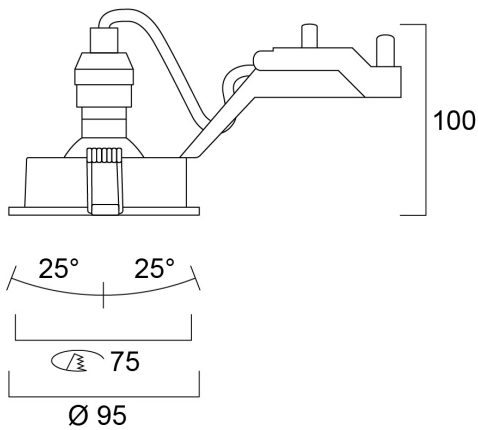
PRO



75mm cut out. 2 x 25° Tilt. Round bezel.

Technical Assets

Dimensions (mm)



Photometrics

INSET TR SW IP44 INDOOR BA EX-LMP

Item No: 3084061

SYLVANIA

General data

Product name	INSET TR SW IP44 INDOOR BA EX-LMP
Technology	LED/Halogen
Cap/Base	GU10
Housing	Aluminium
Mount	Ceiling recessed mounting
Environment	Indoor
General application	Hospitality, Residential & Consumer
ETIM Class	EC001744
E-number FI	4225712
E-number SE	7463942
Warranty	3 years

Optical data

LOR (%)	Dependent on lamp
Adjustable chromaticity	N

Electrical data

Light source included	Fixture without Lightsource
Primary Supply/Product voltage - min (V)	220
Primary Supply/Product voltage - max (V)	240
Electrical protection	Class II
Nominal Frequency (Hz)	50/60Hz

Physical data

Housing colour	Aluminium
IP rating	IP44/20
IK rating	IK02
Nominal Product Length (mm)	95
Nominal Product Width (mm)	95
Nominal Product Height (mm)	100
Weight (kg)	0.174
Recessed Depth (mm)	100

Packaging

Product EAN number	8711971840619
Packaging single length / height (cm)	13.07
Packaging single width (cm)	10.1
Packaging single depth (cm)	8.5
DUN14 (inner)	18711971840616
Units per outer package	30
Packaging outer length / height (cm)	28.8
Packaging outer width (cm)	28.5
Packaging outer depth (cm)	53.1