

83 061 979 Product version from 7/1/2023



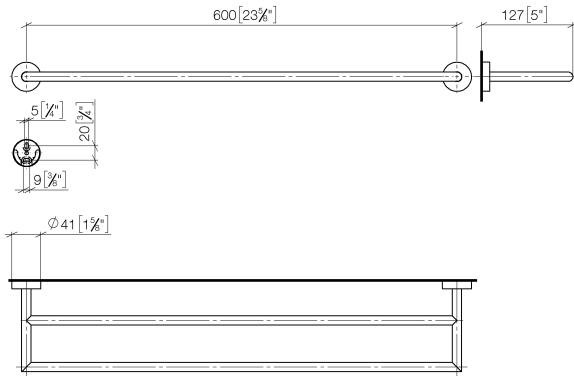
- gauge 600 mm
- width 640mm
- height 40 mm
- rosette Ø 40 mm
- 130mm projection

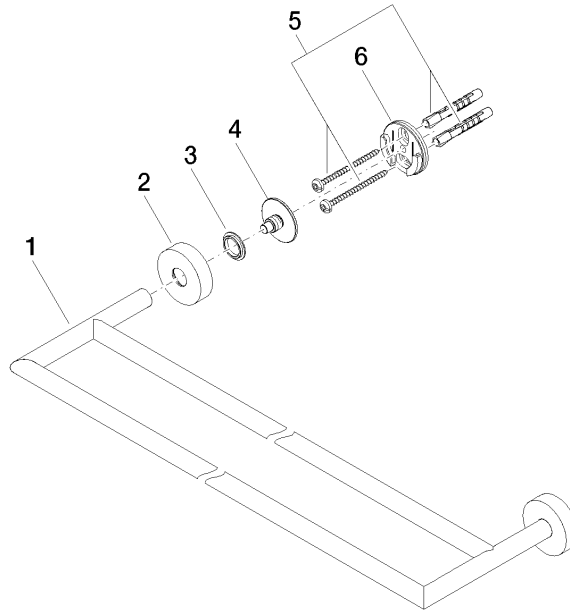
Towel bar in two parts - Matte Black

SERIES SPECIFIC

83 061 979 Product version from 7/1/2023

mm[inches]





Spare parts list

No.	Item Number	Name	Quantity used	Delivery time
4	08 17 97 560 90	Holder Ø 32 x 16 mm -	2.00	14
2	08 27 97 500-33	Rosette Ø 40,5 x 11 mm - Matte Black	2.00	40
5	05 30 31 025 00 90	Mounting Bolt Round head 4,5 x 60 mm -	2.00	14
3	08 30 11 516 90	Ring Ø 20 x 3 mm -	2.00	14
6	08 17 97 501 07	Holder Ø 38 x 9 mm -	2.00	14
1	05 28 22 622 01-33	Holder double 613 x 13 x 120 mm - Matte Black	1.00	40