


Smart solutions for  
everyday plumbing



## Pipe Fixing Essentials

2024





## Contents

Britclips® RSWB	3
Plastic Pipe Clamps	4
Metal Pipe Clamps & Phenolic	8
RapidRail® Fixing System	12
Concrete Screws	18

## Britclips® RSWB

### Britclips® RSWB (Rapid Sliding Wall Bracket)



#### Features and Benefits

- Extendable bracket for faster mounting of pipework, electrical boxes, shower valves, flues and more!
- Can be fixed to wood or metal joists
- Shorter version expands from 25-40cm
- Longer version expands from 40-60cm
- Quicker and easier to install than wooden noggins
- Can be set at multiple depths
- A lightweight product made from high quality galvanised steel

Part No	Length	Pack Quantity
59491016	10-16" (25-40cm)	50
59491624	16-24" (40-60cm)	50



**10-16" RSWB – ideal for fixing pipes in floor joists.  
Use with the starQuick® clamps for an even faster fixing!**

Installers who have used the RSWB say:

"Handy for running pipe under floors"

"Time saver in every way"

"A solution to many problems"

"These are a game changer"

# Plastic Pipe Clamps



## starQuick®

- Self-closing clamp: quick and easy pipe fixing
- Easy to re-open without breaking
- For all pipe types in Ø 10 - 65 mm
- For heating and plumbing installations
- Corrosion-free and heat resistant
- Range of accessories for easy fixing to all surfaces, strut and threaded rod
- Strong, durable and impact resistant



Push pipe into clamp.



Done!

## Plastic Pipe Clamps

### starQuick® Clamp (Grey)



#### Features and Benefits

- one-part clamp
- clamp closes by applying pressure to the pipe
- for outdoor use and installations in swimming pool environments, chemical factories, zinc factories, etc.
- due to a patented profile it is possible to tack several clamps to each other
- material: modified PA6 (polyamide), grey (according to RAL 7035)
- resistant to UV, ageing, oil and petrol
- no corrosion, recyclable, halogen free
- temperature resistance from approx. -40 °C to approx. +90 °C (constant); short to approx. +130 °C

Part No	D (mm)	D (")	DN	Type	Pack 1
0854010	10 - 12	1/8	6	SQ-10	100
0854012	12 - 14	1/4	8	SQ-12	100
0854015	14 - 16	-	-	SQ-15	100
0854018	16 - 20	3/8	10	SQ-17	100
0854022	20 - 23	1/2	15	SQ-20	50
0854028	24 - 28	3/4	20	SQ-25	50
0854031	28 - 32	-	-	SQ-28	50
0854035	32 - 35	1	25	SQ-32	50
0854038	35 - 40	-	-	SQ-36	25
0854042	40 - 44	1 1/4	32	SQ-40	25
0854050	44 - 50	-	-	SQ-47	25
0854054	48 - 55	1 1/2	40	SQ-51	15
0854063	59 - 65	2	50	SQ-59	15

### starQuick® Clamp (White)



#### Features and Benefits

- one-part clamp
- clamp closes by applying pressure to the pipe
- for outdoor use and installations in swimming pool environments, chemical factories, zinc factories, etc.
- due to a patented profile it is possible to tack several clamps to each other
- material: modified PA6 (polyamide), white (according to RAL 9003)
- resistant to UV, ageing, oil and petrol
- no corrosion, recyclable, halogen free
- temperature resistance from approx. -40 °C to approx. +90 °C (constant); short to approx. +130 °C

Part No	D (mm)	D (")	Type	KIWA	Pack 1
0855010	10 - 12	1/8	SQ-10	-	100
0855012	12 - 14	1/4	SQ-12	KIWA	100
0855015	14 - 16	-	SQ-15	KIWA	100
0855018	16 - 20	3/8	SQ-17	KIWA	100
0855022	20 - 23	1/2	SQ-20	KIWA	50
0855028	24 - 28	3/4	SQ-25	KIWA	50
0855031	28 - 32	-	SQ-28	KIWA	50
0855035	32 - 35	1	SQ-32	KIWA	50
0855038	35 - 40	-	SQ-36	KIWA	25
0855042	40 - 44	1 1/4	SQ-40	KIWA	25
0855050	44 - 50	-	SQ-47	-	25
0855054	48 - 55	1 1/2	SQ-51	-	15
0855063	59 - 65	2	SQ-59	-	15

### starQuick® Clamp (Copper)



#### Features and Benefits

- one-part clamp
- clamp closes by applying pressure to the pipe
- for outdoor use and installations in swimming pool environments, chemical factories, zinc factories, etc.
- due to a patented profile it is possible to tack several clamps to each other
- material: modified PA6 (polyamide), copper (according to RAL 7035)
- resistant to UV, ageing, oil and petrol
- no corrosion, recyclable, halogen free
- temperature resistance from approx. -40 °C to approx. +90 °C (constant); short to approx. +130 °C

Part No	D (mm)	D (")	DN	Type	Pack 1
0855815	14 - 16	-	-	SQ-15	100
0855822	20 - 23	1/2	15	SQ-20	50
0855828	24 - 28	3/4	20	SQ-25	50
0855831	28 - 32	-	-	SQ-28	50

### starQuick® Duo Wall Plate



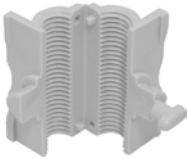
#### Features and Benefits

- for fixing of two pipes with starQuick® Clamps
- suitable for starQuick® Clamps up to SQ-20
- the distance between the pipe and the wall is equal to that of a single clip
- material: modified PA6 (polyamide), grey or white

Part No	Model	Colour	Pack 1
0854000	-	Grey (RAL 7035)	100
0855000	-	White (RAL 9003)	100

*Hammer-in screw: suitable for fixing into concrete, aerated concrete, brick.*

### starQuick® Threaded Rod Adaptor



#### Features and Benefits

- to fix a starQuick® Clamp to a threaded rod
- to add pipework quickly and simply to an existing installation
- material: PA (polyamide), grey (according to RAL 7035)

Part No	Model	G	Pack 1
0854356	SQ10 - SQ51	M6	100
0854358	SQ10 - SQ51	M8	100

### starQuick® Distance Block



#### Features and Benefits

- for clamp fixing with a distance to the structure
- for screwing a clip to a distance block, use a screw of at least 55 mm
- suitable for SQ-10 up to SQ-36

Part No	L	B (mm)	H (mm)	Pack 1
0854510	27 mm	17	10	25

### starQuick® Hammer-in Screw



#### Features and Benefits

- for fixing of starQuick® Clamps without nut
- suitable for fixing onto concrete, aerated concrete, brick
- material: screw made of steel, plug made of PA (polyamide), grey

Part No	L	HØ (mm)	Pack 1
0854301	40 mm	Ø 6 mm	25

### starQuick® Rail



#### Features and Benefits

- for fixing of two or more pipes with starQuick® Clamps without nut
- the starQuick® Clamp is fixed to the rail using the starQuick® Rail Adaptor (Part No. 085 4 313)
- material: PVC (polyvinylchloride), grey (according to RAL 7035)

Part No	L	Pack 1
0854325	1 m	25

### starQuick® Rail Adaptor



#### Features and Benefits

- suitable for starQuick® Clamps up to SQ-32
- for fixing of a starQuick® Clamp (without nut) on a starQuick® Rail or on a Strut-Adaptor (Part No. 085 4 331)
- material: modified PA6 (polyamide), grey (according to RAL 7035)

Part No	For	Pack 1
0854313	starQuick®	20

### starQuick® Universal Rail Adaptor



#### Features and Benefits

- for fixing starQuick® Clamps to RapidRail® or Strut Rail
- to add pipework quickly and simply to an existing installation
- suitable for SQ-10 up to SQ-51
- material: modified PA6 (polyamide), grey (according to RAL 7035)

Part No	For Rail	Pack 1
0854332	WMO - 35 + Strut	50

## starQuick® Fixing Nut



## Features and Benefits

- to make a threaded connection in a starQuick® Clamp
- entirely integrated in clamp (not protruding)
- material: PC (polycarbonate), grey or white
- no corrosion
- temperature resistance from approx. -35 °C to approx. +110 °C (constant); short to approx. +125 °C

Part No	G	Colour	Pack 1
0854006	M6	Grey (RAL 7035)	100
0855006	M6	White (RAL 9003)	100
0854308	M8	Grey (RAL 7035)	100

## starQuick® Push Plug



## Features and Benefits

- for fixing of a starQuick® Clamp or other clamp with thread connection M6
- pre-drill hole Ø 6 mm and insert plug
- material: modified PA6 (polyamide), grey (according to RAL 7035)

Part No	G	L	Pack 1
6101063	M6	30 mm	50

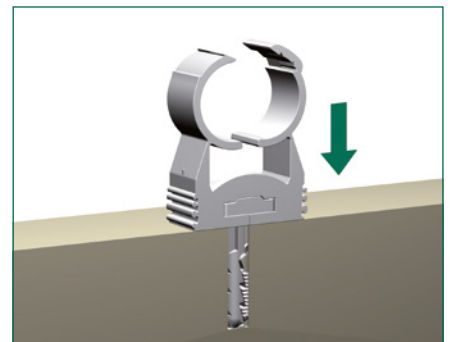
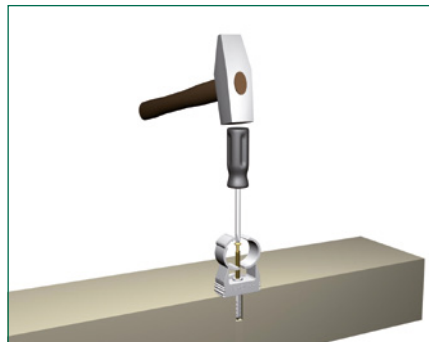
## starQuick® Hammerfix



## Features and Benefits

- Part No. 085 4 338: for fixing of a starQuick® Clamp on steel rail with a 15 mm slot (e.g. WM0, 1, 15, 2, 30 or 35)
- material: metal parts made of steel 1.0332; spring(s) made of POM (polyoxymethylene), green
- zinc plated

Part No	G	For Rail	Pack 1
0854338	M8	WM0 - 35	50



# Metal Pipe Clamps & Phenolic





## Metal Pipe Clamps

### 2S Clamp with Lining (M8/10)



#### Features and Benefits

- standard two-screw clamp
- for every day use on steel, copper or multilayer pipes
- gapless range from Ø 10-225mm
- rubber lining grips in steel parts to prevent sliding of the lining
- screws secured with anti-loss washer
- medium safe load according to RAL GZ-655
- material: steel
- zinc plated
- noise insulating lining, EPDM rubber, black
- age resistant lining
- sound insulating lining according DIN 4109

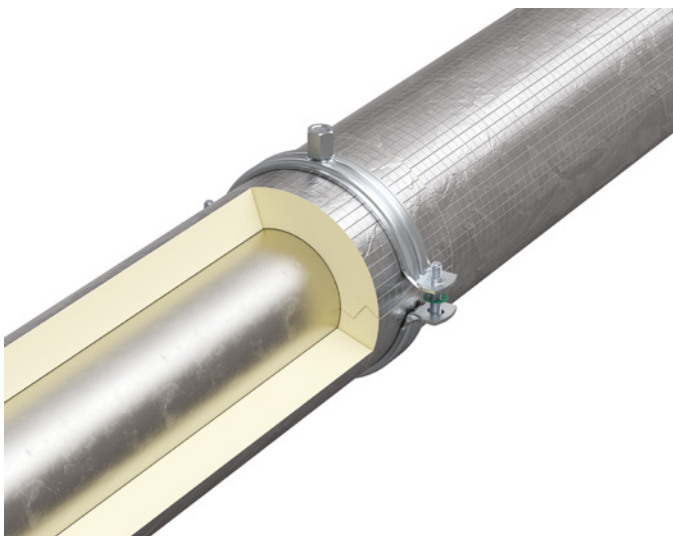
Part No	D (mm)	D (")	G	Pack 1
33435014	10 - 14	1/8 - 1/4	M8/10	50
33435019	15 - 19	3/8	M8/10	50
33435024	20 - 24	1/2	M8/10	50
33435030	25 - 30	3/4	M8/10	50
33435037	31 - 37	1	M8/10	50
33435046	38 - 46	1 1/4	M8/10	50
33435052	47 - 52	1 1/2	M8/10	50
33435061	53 - 61	2	M8/10	50
33435067	62 - 67	-	M8/10	50
33435074	68 - 74	-	M8/10	50
33435081	75 - 81	2 1/2	M8/10	50
33435087	82 - 87	-	M8/10	50
33435095	88 - 95	3	M8/10	50
33435103	96 - 103	-	M8/10	50
33435112	104 - 112	-	M8/10	25
33435118	113 - 118	4	M8/10	25
33435127	119 - 127	-	M8/10	25
33435137	128 - 137	-	M8/10	25
33435144	138 - 144	5	M8/10	25
33435153	145 - 153	-	M8/10	25
33435162	154 - 162	-	M8/10	15
33435172	163 - 172	6	M8/10	15
33435183	173 - 183	-	M8/10	15
33435194	184 - 194	-	M8/10	15
33435205	195 - 205	-	M8/10	15
33435216	206 - 216	-	M8/10	10
33435225	217 - 225	8	M8/10	10

### 2S Clamp (M8/10)



#### Features and Benefits

- standard two-screw clamp
- for fixing insulated steel or copper pipes
- gapless range from Ø 10-225mm
- screws secured with anti-loss washers
- material: steel
- zinc plated
- medium safe load according to RAL GZ-655



Part No	D (mm)	D (")	G	Pack 1
33035014	10 - 14	1/8 - 1/4	M8/10	50
33035019	15 - 19	3/8	M8/10	50
33035024	20 - 24	1/2	M8/10	50
33035030	25 - 30	3/4	M8/10	50
33035037	31 - 37	1	M8/10	50
33035046	38 - 46	1 1/4	M8/10	50
33035052	47 - 52	1 1/2	M8/10	50
33035061	53 - 61	2	M8/10	50
33035067	62 - 67	-	M8/10	50
33035074	68 - 74	-	M8/10	50
33035081	75 - 81	2 1/2	M8/10	50
33035087	82 - 87	-	M8/10	50
33035095	88 - 95	3	M8/10	50
33035103	96 - 103	-	M8/10	50
33035112	104 - 112	-	M8/10	25
33035118	113 - 118	4	M8/10	25
33035127	119 - 127	-	M8/10	25
33035137	128 - 137	-	M8/10	25
33035144	138 - 144	5	M8/10	25
33035153	145 - 153	-	M8/10	25
33035162	154 - 162	-	M8/10	25
33035172	163 - 172	6	M8/10	25
33035183	173 - 183	-	M8/10	15
33035194	184 - 194	-	M8/10	15
33035205	195 - 205	-	M8/10	15
33035216	206 - 216	-	M8/10	15
33035225	217 - 225	8	M8/10	10

**Bifix® G2 with Lining (M8/10) (BUP1000)**



**Features and Benefits**

- advanced two-screw clamp with premium design
- quick closing mechanism
- 2 component EPDM lining provides easy positioning of the pipe during installation
- when the clamp is closed, the pipe rests on soft black rubber lining for increased noise reduction
- sound insulating lining according to DIN4109
- advanced geometry for increased strength
- medium to high safe load according to RAL GZ-655 and RAL GZ-656
- material: steel
- surface protection:
  - product is part of the UltraProtect® 1000 system
  - suitable for in- and outdoor applications
  - stands min. 1,000 hours salt spray test (max. 5% red rust) according to ISO 9227

Part No	D (mm)	D (")	DN	G	Pack 1
31085014	10 - 14	1/4	8	M8/10	50
31085019	15 - 19	3/8	10	M8/10	50
31085023	20 - 23	1/2	15	M8/10	50
31085028	25 - 28	3/4	20	M8/10	50
31085035	31 - 35	1	25	M8/10	50
31085039	36 - 39	-	-	M8/10	50
31085045	40 - 45	1 1/4	32	M8/10	50
31085052	48 - 52	1 1/2	40	M8/10	50
31085058	54 - 58	-	-	M8/10	50
31085064	60 - 64	2	50	M8/10	50
31085070	66 - 70	-	-	M8/10	50
31085079	75 - 79	2 1/2	65	M8/10	50
31085083	80 - 83	-	-	M8/10	50
31085091	88 - 91	3	80	M8/10	25
31085097	92 - 97	-	-	M8/10	25
31085105	100 - 105	-	-	M8/10	25
31085115	108 - 115	4	100	M8/10	25
31085130	125 - 130	-	-	M8/10	25
31085140	133 - 140	5	125	M8/10	25
31085160	152 - 160	-	-	M8/10	25
31085169	165 - 169	6	150	M8/10	10
31285180	176 - 180	-	-	M10	15
31285200	192 - 200	-	-	M10	15
31285210	205 - 210	-	-	M10	10
31285225	219 - 225	8	200	M10	10

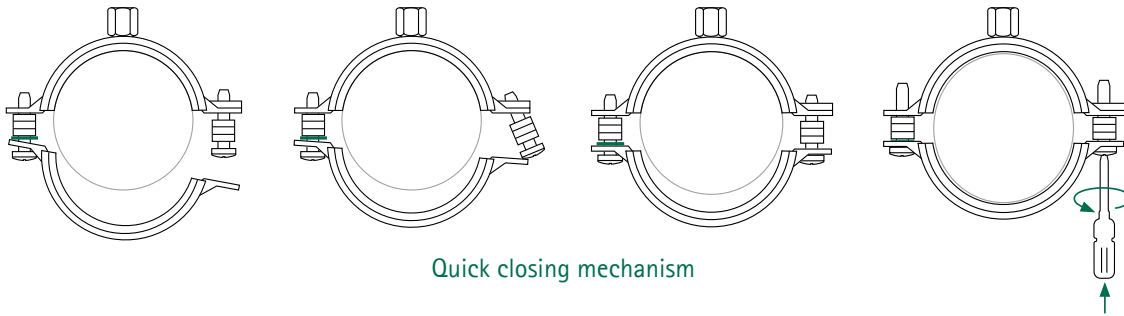
**Bifix® G2 (M8/10) (BUP1000)**



**Features and Benefits**

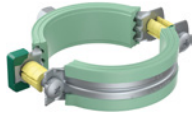
- advanced two-screw clamp with premium design
- for fixing insulated steel or copper pipe
- with quick closing mechanism
- advanced geometry for increased strength
- material: steel
- surface protection:
  - product is part of the UltraProtect® 1000 system
  - suitable for in- and outdoor applications
  - stands min. 1,000 hours salt spray test (max. 5% red rust) according to ISO 9227
- medium to high safe load according to RAL GZ-655 and RAL GZ-656
- tested for fire safety

Part No	D (mm)	D (")	DN	G	Pack 1
3008014	10 - 14	1/4	8	M8/10	50
3008019	15 - 19	3/8	10	M8/10	50
3008023	20 - 23	1/2	15	M8/10	50
3008028	25 - 28	3/4	20	M8/10	50
3008035	31 - 35	1	25	M8/10	50
3008039	36 - 39	-	-	M8/10	50
3008045	40 - 45	1 1/4	32	M8/10	50
3008052	48 - 52	1 1/2	40	M8/10	50
3008058	54 - 58	-	-	M8/10	50
3008064	60 - 64	2	50	M8/10	50
3008070	66 - 70	-	-	M8/10	50
3008079	75 - 79	2 1/2	65	M8/10	50
3008083	80 - 83	-	-	M8/10	50
3008091	88 - 91	3	80	M8/10	50
3008105	100 - 105	-	-	M8/10	50
3008115	108 - 115	4	100	M8/10	25
3008130	125 - 130	-	-	M8/10	25
3008140	133 - 140	5	125	M8/10	25
3008160	152 - 160	-	-	M8/10	25
3008169	165 - 169	6	150	M8/10	25
3008180	176 - 180	-	-	M8/10	15
3008200	192 - 200	-	-	M8/10	15
3008210	205 - 210	-	-	M8/10	15
3008225	219 - 225	8	200	M8/10	15



Quick closing mechanism

### Bifix® 5000 G2 (BUP1000)



#### Features and Benefits

- advanced two-screw clamp with premium design
- for installing all types of plastic pipes
- with quick closing mechanism
- with removable spacer washers for either sliding or anchoring
- material: steel
- surface protection:
  - product is part of the UltraProtect® 1000 system
  - suitable for in- and outdoor applications
  - stands min. 1,000 hours salt spray test (max. 5% red rust) according to ISO 9227
- noise insulating lining, EPDM rubber, green
- inner part of lining is flush to improve sliding of pipe in clamp
- age resistant lining
- sound insulating lining according DIN 4109
- medium to high safe load according to RAL GZ-655 and RAL GZ-656

Part No	D (mm)	G	Pack 1
3188016	16	M8/10	50
3188020	20	M8/10	50
3188025	25	M8/10	50
3188032	32	M8/10	50
3188040	40	M8/10	50
3188050	50	M8/10	50
3188056	56	M8/10	50
3188063	63	M8/10	50
3188075	75	M8/10	50
3188090	90	M8/10	25
3188110	110	M8/10	25
3188125	125	M8/10	25
3188135	135	M8/10	25
3188160	160	M8/10	10
3188200	200	M8/10	10

### Walraven Phenblox® Phenolic Insulation Blocks



#### Features and Benefits

- load bearing insulation block for steel, copper and plastic pipe
- 6 different thicknesses available 15-50mm
- complete range of pipe sizes catered for, plus specials
- CE and UKCA marked
- high thermal efficiency, K value 0.030 to 0.037 W/(m·K) at 10 °C
- fire resistant to Euroclass BL-s1 d0
- made in the UK
- temperature resistance from -50 °C to +110 °C

Part No	Thickness (mm)	Pipe Ø	Pipe (NB)	Pack 1
8901015015	15	15	-	50
8901015021	15	21-22	15	50
8901015027	15	27-28	20	50
8901020015	20	15	-	50
8901020021	20	21-22	15	50
8901020027	20	27-28	20	50
8901025015	25	15	-	50
8901025021	25	21-22	15	50
8901025027	25	27-28	20	50
8901030015	30	15	-	50
8901030021	30	21-22	15	50
8901030027	30	27-28	20	50
8901040015	40	15	-	50
8901040021	40	21-22	15	50
8901040027	40	27-28	20	50

*This is just a small selection of our phenolic blocks, please visit our website to see the full range of sizes.*

# RapidRail® Fixing System

Save up to 40% fixing time!



EPD available for  
this product!

walraven

## A light rail alternative to strut

RapidRail® is our unique light rail fixing system that we developed as a lightweight, easy to install alternative to traditional strut. For many installations like standard plumbing and heating pipework, ventilation pipes and cable trays, heavy and bulky 41×41 strut is not required.

### Benefits of using a light rail

- **Easier to install** – especially when used in overhead applications, a lighter rail is easier to handle, and is less likely to result in accident or injury
- **Easier to store and transport** – as well as being lighter, our RapidRail® is available in 2m lengths which makes it easier to store, carry and transport.
- **Environmental benefits** – a light rail is more environmentally friendly as it uses less steel
- **Fast-fit accessories for faster installation** – with pre-assembled slide nuts and other fast-fit accessories, installations can be made a lot quicker than with traditional strut systems, saving hours on the jobsite.

# Walraven RapidRail® Fixing System

## RapidRail® Fixing Rail



### Features and Benefits

- C-profile
- for quick and easy fixing of multiple pipes
- with continuous perforation
- distance between rail end and first hole is always equal
- a continuous graduated centimetre scale on one side
- unique hole pattern of rail 30x20 allows RapidRail® Hammerfix to fix on both sides of the rail
- material: steel 1.0242
- pre-galvanized
- for more information about the max allowed load (Fa,z) please refer to the loading tables on our website

Part No	Type	L	B (mm)	H (mm)	RAL	Bundle (m)
650530202	30x20	2 m	30	20	RAL <sup>1</sup>	20
650530203	30x20	3 m	30	20	RAL <sup>1</sup>	30
650530206	30x20	6 m	30	20	RAL <sup>1</sup>	60

RAL<sup>1</sup> = tested, certified and monitored by a third party according to RAL-GZ 655/C.  
For detailed technical information about our RAL marked products, please see the RAL datasheet in our web catalogue.

## RapidRail® Cantilever Arm



### Features and Benefits

- base plate with welded C-profile
- for quick and adjustable fixing of one or multiple pipes
- CO2 welded
- with continuous perforation
- with sawing marks each 50mm on all 3 sides of the profile
- material: base plate made of steel 1.0332 (DD11)
- zinc plated

Part No	L	Type	Pack 1
66032015	150 mm	30x20	20
66032020	200 mm	30x20	20
66032025	250 mm	30x20	20

## RapidRail® Wall Plate



### Features and Benefits

- U-profile welded on wall plate
- for wall fixing of rail
- rail can be fixed with slot downwards or sideways
- slots at 90° to each other to simplify fixing
- with pre-assembled RapidRail® Sliding nut(s) for a quick fixing, and retains assembly in place before final tightening
- material: metal parts made of steel 1.0332; spring(s) made of POM (polyoxymethylene), green
- zinc plated

Part No	Length	Pack 1
6613200	100mm	25

## RapidRail® Wall Plate (Hinged)



### Features and Benefits

- wall plate with hinging U-profile
- also used to strengthen rail constructions
- for fixing of rail to sloping walls
- material: steel
- zinc plated

Part No	For Rail	Pack 1
6613250	30x20	20

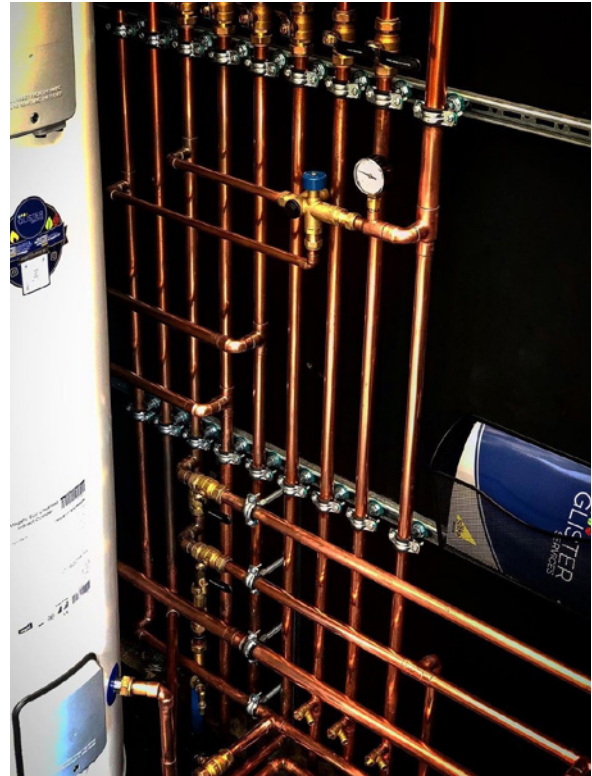
## RapidRail® Slide Nut



### Features and Benefits

- slide nut with washer and RapidRail® spring
- pre-assembled for quick fixing
- material: metal parts made of steel 1.0332; spring(s) made of POM (polyoxymethylene), green
- zinc plated

Part No	G	Pack 1
6513106	M6	50
6513108	M8	50
6513110	M10	50



Installation by Glister Services

## RapidRail® Hammerfix



### Features and Benefits

- slide nut with stud bolt, washer and RapidRail® spring
- ready-to-use pre-assembled for a quick fixing, and retains assembly in place before final tightening
- material: metal parts made of steel 1.0332; spring(s) made of POM (polyoxymethylene), green
- zinc plated

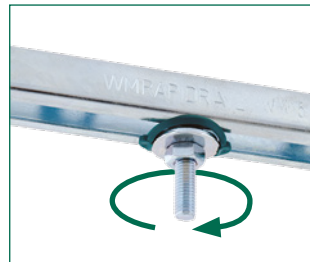
Part No	G	L	Pack 1
6523802	M8	25 mm	25
6523803	M8	30 mm	25
6523804	M8	40 mm	25
6523805	M8	50 mm	25
6523806	M8	60 mm	25
6523807	M8	70 mm	25
6523808	M8	80 mm	25
6523809	M8	90 mm	25
6523810	M8	100 mm	25
6523812	M8	120 mm	25
6523815	M8	150 mm	25
6523818	M8	180 mm	25
6523820	M8	200 mm	25
6523002	M10	25 mm	25
6523003	M10	30 mm	25
6523004	M10	40 mm	25
6523005	M10	50 mm	25
6523006	M10	60 mm	25
6523008	M10	80 mm	25
6523010	M10	100 mm	25
6523016	M10	160 mm	25

M6 RapidRail® Hammerfix are available upon request.

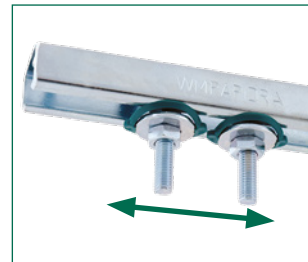
## Installation Guide



1. Insert



2. Turn 1/4 stroke



3. Slide



4. Lock

## RapidRail® Ball Swivel Hanger



### Features and Benefits

- slide nut with ball swivel hanger, washer and RapidRail® spring
- recommended for metal pipes up to DN 50, plastic pipes up to DN 100
- with inspection hole to check screw-in depth (attention: when the threaded rod is screwed-in too deep, the ball swivel is blocked)
- material: metal parts made of steel 1.0332; spring(s) made of POM (polyoxymethylene), green
- zinc plated

Part No	G	L	RAL	Pack 1
6520100	M8	45 mm	RAL <sup>1</sup>	25
6520200	M8	70 mm	RAL <sup>1</sup>	25
6520110	M10	45 mm	RAL <sup>1</sup>	25
6520210	M10	70 mm	RAL <sup>1</sup>	25

RAL<sup>1</sup> = tested, certified and monitored by a third party according to RAL-GZ 655/D.

For detailed technical information about our RAL marked products, please see the RAL datasheet in our web catalogue.

Please note. Always use 2 ball swivel hangers (see application picture). The maximum length change that can be dealt with, depends on the fixing distance (ceiling - pipe). The height difference that occurs as a result, needs to be taken into consideration.

**RapidRail® Connector 90°**



**Features and Benefits**

- connector with pre-assembled RapidRail® Slide nut(s)
- to make rail fabrications
- material: metal parts made of steel 1.0332; spring(s) made of POM (polyoxymethylene), green
- zinc plated

Part No	Model	RAL	Pack 1
6584001	Long / long	RAL <sup>1</sup>	25
6584002	Short / long	RAL <sup>1</sup>	25
6584003	Short / short	RAL <sup>1</sup>	25
6584011	Long / long	RAL <sup>1</sup>	25

*RAL<sup>1</sup> = tested, certified and monitored by a third party according to RAL-GZ 655/D. For detailed technical information about our RAL marked products, please see the RAL datasheet in our web catalogue.*

**RapidRail® Connector 135°**



**Features and Benefits**

- connector with pre-assembled RapidRail® Slide nut(s)
- to make rail fabrications
- with pre-assembled RapidRail® Sliding nut(s) for a quick fixing, and retains assembly in place before final tightening
- material: metal parts made of steel 1.0332; spring(s) made of POM (polyoxymethylene), green
- zinc plated

Part No	Model	RAL	Pack 1
6584051	Long / long	RAL <sup>1</sup>	25
6584052	Short / long	RAL <sup>1</sup>	25
6584053	Short / short	RAL <sup>1</sup>	25

*RAL<sup>1</sup> = tested, certified and monitored by a third party according to RAL-GZ 655/D. For detailed technical information about our RAL marked products, please see the RAL datasheet in our web catalogue.*

**RapidRail® Connector**



**Features and Benefits**

- connector with pre-assembled RapidRail® Slide nut(s)
- ready-to-use pre-assembled for a quick fixing, and retains assembly in place before final tightening
- material: metal parts made of steel 1.0332; spring(s) made of POM (polyoxymethylene), green
- zinc plated

Part No	RAL	Pack 1
6543001	RAL <sup>1</sup>	25

*RAL<sup>1</sup> = tested, certified and monitored by a third party according to RAL-GZ 655/D. For detailed technical information about our RAL marked products, please see the RAL datasheet in our web catalogue.*

**RapidRail® T- and X-Connector**



**Features and Benefits**

- connector with pre-assembled RapidRail® Slide nut(s)
- ready-to-use pre-assembled for a quick fixing, and retains assembly in place before final tightening
- material: metal parts made of steel 1.0332; spring(s) made of POM (polyoxymethylene), green
- zinc plated

Part No	Type	RAL	Pack 1
6584090	T	RAL <sup>1</sup>	25
6584091	X	RAL <sup>1</sup>	25

*RAL<sup>1</sup> = tested, certified and monitored by a third party according to RAL-GZ 655. For detailed technical information about our RAL marked products, please see the RAL datasheet in our web catalogue.*



## RapidRail® Cross Connector



### Features and Benefits

- connector with pre-assembled RapidRail® Slide nut(s)
- ready-to-use pre-assembled for a quick fixing, and retains assembly in place before final tightening
- material: metal parts made of steel 1.0332; spring(s) made of POM (polyoxymethylene), green
- zinc plated

Part No	For Rail	RAL	Pack 1
6584152	30x20	RAL <sup>1</sup>	25

*RAL<sup>1</sup> = tested, certified and monitored by a third party according to RAL-GZ 655/D. For detailed technical information about our RAL marked products, please see the RAL datasheet in our web catalogue.*

## RapidRail® End Cap



### Features and Benefits

- for clean finishing of rail end, covers all burrs
- easy to fix securely
- material: PE (polyethylene)

Part No	Colour	Pack 1
6566000	Green	50

## Stud Bolt



### Features and Benefits

- cut stud for use with RapidRail® slide nut
- made according to DIN 976-1
- material: steel
- zinc plated
- M10 tested for fire safety

Part No	G	L	Fa,z (N)	Pack 1
6313802	M8	25 mm	9,700	100
6313803	M8	30 mm	9,700	100
6313804	M8	40 mm	9,700	100
6313805	M8	50 mm	9,700	100
6313806	M8	60 mm	9,700	100
6313807	M8	70 mm	9,700	100
6313808	M8	80 mm	9,700	100
6313809	M8	90 mm	9,700	100
6313810	M8	100 mm	9,700	100
6323002	M10	25 mm	15,400	50
6323003	M10	30 mm	15,400	50
6323004	M10	40 mm	15,400	50
6323005	M10	50 mm	15,400	50
6323006	M10	60 mm	15,400	50
6323007	M10	70 mm	15,400	50
6323008	M10	80 mm	15,400	50
6323009	M10	90 mm	15,400	50
6323010	M10	100 mm	15,400	50

*More lengths available in both M8 and M10 up to 200mm. See online for details.*

## Walraven Concrete Screws

### W-LX-N Concrete Screw



#### Features and Benefits

- M8/M10 threaded rod hanger
- high load capacity
- quick and simple installation procedure
- ETA Option 1 approval for cracked and non-cracked concrete
- ETA according to EAD 330747-00-0601 for multiple use for non-structural applications
- also approved for use in precast pre-stressed hollow core slabs
- up to 3 anchoring depths provide maximum installation flexibility
- material: steel
- zinc plated
- fire resistance class R30-R120

Part No	Size	L	Thread	Pack 1
62433304	6	35mm	M8/10	100
62433305	6	55mm	M8/10	100

### W-LX-P/PX Concrete Screw



#### Features and Benefits

- pan head anchor for flush fixing
- high load capacity
- quick and simple installation procedure
- ETA Option 1 approval for cracked and non-cracked concrete
- ETA according to EAD 330747-00-0601 for multiple use for non-structural applications
- also approved for use in precast pre-stressed hollow core slabs
- material: steel
- zinc plated
- fire resistance class R30-R120

Part No	Size	L (mm)	Pan head Ø (mm)	Pack 1
62431304	6	40	14.6	100
62431306	6	60	14.6	100
62432304	6	40	17	100
62432306	6	60	17	100

### W-LX-H Concrete Screw



#### Features and Benefits

- heavy duty hex head self-tapping screw
- for solid fixing into concrete, solid brick, hollow brick and stone
- high load capacity
- quick and simple installation procedure
- ETA Option 1 approval for cracked and non-cracked concrete
- ETA according to EAD 330747-00-0601 for multiple use for non-structural applications
- seismic performance category C1 & C2
- material: steel
- zinc-plated
- fire resistance class R30-R120

Part No	Size	L (mm)	Pack 1
62430304	6	40	100
62430306	6	60	100
62430308	6	75	100
62430406	8	60	100
62430408	8	75	100
62430409	8	90	100
62430410	8	100	100
62430412	8	120	50
62430507	10	65	50
62430509	10	90	50
62430510	10	100	50
62430512	10	120	25
62430514	10	140	25
62430608	12	75	50
62430610	12	100	50
62430711	14	115	20
62430713	14	135	20

## W-LX-M Concrete Screw



### Features and Benefits

- threaded stud anchor for direct attachment of pipe clamps
- high load capacity
- quick and simple installation procedure
- ETA Option 1 approval for cracked and non-cracked concrete
- ETA according to EAD 330747-00-0601 for multiple use for non-structural applications
- also approved for use in precast pre-stressed hollow core slabs
- material: steel
- zinc plated
- fire resistance class R30-R120

Part No	Size	L	Pack 1
62434304	6	35mm	100
62434305	6	55mm	100



## Find out more!

Alongside the products in this brochure, we manufacture a wider range of pipe fixings, HVAC equipment supports, electrical fixings, anchors and more.

Our products can be purchased from fixing merchants across the UK, many of whom offer nationwide delivery.

Some of our larger merchants include: Trentside Fixings (Nottingham), MEF (Scotland and Ireland), Profast (Ireland and N.I.), JPL (Shipley), Armaflo (Leeds), ICS (Warrington), Abbots (Herts), Fixmart (Kent), Bison (Southampton), Brymec (Surrey) and Kernow (South-West).

You can buy easily online from [jpldirect.co.uk](http://jpldirect.co.uk) or [trentsidefixings.com](http://trentsidefixings.com)

Our products are now also stocked in branches and online at Williams Plumbing and Heating Supplies.

Visit our website [walraven.com](http://walraven.com) to view our full product range online and to find out more about the products and services we offer. To speak to our Internal Sales Team please call 01295 753400.

**United Kingdom**  
Ireland

**Walraven Ltd.**

18 Wildmere Road

BANBURY

OX16 3JU

Tel. +44 (0)1295 75 34 00

sales.uk@walraven.com

**Walraven Group**

Mijdrecht (NL) · Tienen (BE) · Bayreuth (DE)

Banbury (GB) · Malmö (SE) · Grenoble (FR)

Barcelona (ES) · Kraków (PL) · Mladá

Boleslav (CZ) · Moscow (RU) · Kyiv (UA)

Detroit (US) · Shanghai (CN) · Dubai (AE)

Budapest (HU) · Mumbai (IN)

