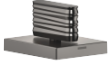


20 005 706 Product version from 3/9/2015

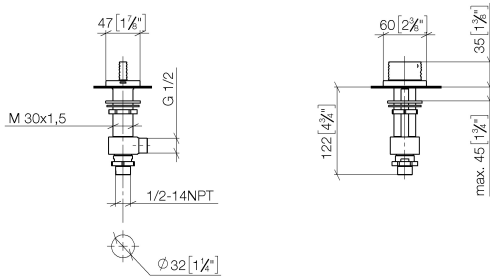


- with WAVES structure
- hole diameter 32 mm
- rosette 60 x 47 mm
- with hot marking
- WRAS

| | | |
|---|-------------------------------|---------------|
|  | Brushed Dark Platinum | 20 005 706-99 |
|  | Chrome | 20 005 706-00 |
|  | Brushed Platinum | 20 005 706-06 |
|  | Dark Chrome | 20 005 706-19 |
|  | Brushed Light Gold (PVD) | 20 005 706-27 |
|  | Brushed Champagne (22kt Gold) | 20 005 706-46 |
|  | Champagne (22kt Gold) | 20 005 706-47 |

20 005 706 Product version from 3/9/2015

mm [inches]



Flow rate chart



Codes & Standards

| | | | |
|----------------|-------|------------------------|-----------------------------|
| ASME A112.18.1 | cUPC | DIN 4109 | ISO 3822 |
| NSF372 | NSF61 | Scottish Water Byelaws | UK Water Supply Regulations |

Ü-Zeichen



CL.1 Deck valve anti-clockwise closing hot - Brushed Dark Platinum

CL.1

20 005 706 Product version from 3/9/2015

Certificates and sustainability

IAPMO_N-4

WRAS_240202

LGA_28

IAPMO_4976

IAPMO_6

EPD-DOR-20230287

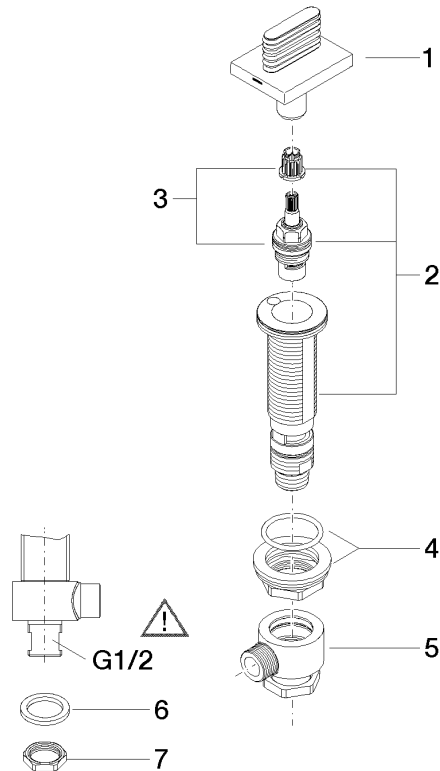
-IBA1-EN

Environmental.prod

uct-declarat

20 005 706 Product version from 3/9/2015

Parts for other finishes can be found here: [Chrome](#)



Spare parts list

| No. | Item Number | Name | Quantity used | Delivery time |
|-----|--------------------|---|---------------|---------------|
| 3 | 90 90 03 152 00 90 | Head part anti-clockwise closing extended, 7mm 1/2" - | 1.00 | 14 |
| 4 | 04 23 10 032 78 90 | Mounting with seals M30 x 1,5 - | 1.00 | 14 |
| 8 | 09 23 10 012 90 | Mounting Nut SW 24 1/2" - | 1.00 | 14 |
| 5 | 04 17 11 023 10 90 | Connection Distributor, complete 1/2" - | 1.00 | 14 |
| 1 | 90 20 70 055 07-99 | Handle for basin Hot oval wave 60 x 47,5 x 40 mm - Brushed Dark Platinum | 1.00 | 40 |
| 7 | 09 30 11 059 90 | Disc - | 1.00 | 14 |
| 2 | 04 17 11 058 52 90 | Side piece 1/2" - | 1.00 | 14 |
| 6 | 90 23 30 040 00-99 | Union piece - Brushed Dark Platinum | 1.00 | 40 |