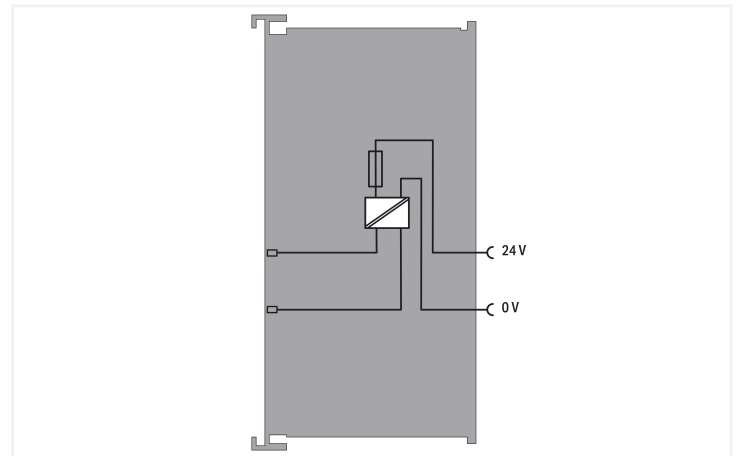
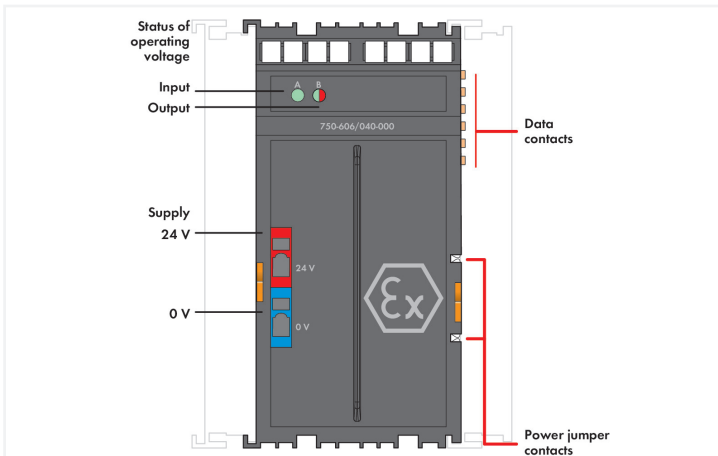


Color: ■ dark gray



This supply module powers all intrinsically safe 750 Series Ex i Modules. It monitors the power supply to the downstream Ex i segment and separates the intrinsically safe from the non-intrinsically safe part of the WAGO I/O System 750 XTR. The input and output sides are electrically isolated from each other.

The maximum output current provided by the supply module is 1.0 A. When configuring the Ex i segment, the total current must not be exceeded. In the event of a short circuit or overload, electronic monitoring automatically disables the output voltage. Once the fault has been cleared, the output voltage is reactivated after approximately 10 seconds.

Note:

If more than one supply module is required per station due to load conditions, four spacer modules (750-616/040-000) must be used to ensure proper separation between the intrinsically safe Ex i segments.

Indicators:

- Green LED (input voltage)
- Green/red LED (output voltage available/not available)

The device is ideal for operation in extreme environments thanks to:

- An extended temperature range
- Greater immunity to impulse voltages and electromagnetic interference
- Higher vibration and shock resistance

Notes

Note	General information on explosion protection, including installation regulations, can be found in the WAGO I/O System 750 XTR manuals!
------	---

Technical data

Item description	Power Supply; 24 VDC; Diagnostics; Intrinsically safe
Supply voltage	24 VDC; (-25 % ... +30 %); input voltage
Fuse	electronic
Intrinsically safe Ex i	Yes
Data width	2-bit diagnostics
Supply voltage (system)	5 VDC; via data contacts
Current consumption (5 V system supply)	7.5 mA
Supply voltage (field)	24 VDC (-25 ... +30 %); via power jumper contacts (power supply via CAGE CLAMP® connection; transmission via spring contact); Derating must be observed!
Derating	Derating (supply voltage): Ambient temperatures under laboratory conditions: (-25 ... +30 %); for -40 ... +55 °C: 24 V (-25 ... +20 %); for +55 ... +70 °C: 24 V (-25 ... +10 %); Lower limit in all temperature ranges: -27.5 % (including 15 % residual ripple)
Power consumption P_{max}	29 W
Power loss P_I	< 5 W
Rated impulse withstand voltage	1 kV; Rated surge voltage between intrinsically safe and non-intrinsically safe circuits: 1.5 kV (EN 60079-11)
Number of outgoing power jumper contacts	2
Current carrying capacity (power jumper contacts)	1 A
Indicators	LED (A) green: operating voltage status: input; LED (B) green/red: operating voltage status: output

Explosion protection

Identification	ATEX: II 3 G Ex ec IIC T4 Gc IECEX/INMETRO: Ex ec IIC T4 Gc cULus (Devison classified): Class I, Div. 2, Group A B C D, T4
Ex standard	EN/IEC 60079-0, -7, -11
Power supply (output)	$U_o = 26.8 \text{ V}$ (intrinsically safe output voltage per protection level ia); $I_n = 1 \text{ A}$
Power supply (input)	$U_n = 24 \text{ VDC}$; $P_{max} = 29 \text{ W}$; $U_m = 253 \text{ VAC}$

Connection Data

Connectable conductor materials	Copper
Connection type	Field supply
Solid conductor	0.25 ... 1.5 mm ² / 24 ... 14 AWG
Fine-stranded conductor	0.25 ... 1.5 mm ² / 24 ... 14 AWG
Strip length	5 ... 6 mm / 0.2 ... 0.24 inches
Connection technology: field supply	2 x CAGE CLAMP®

Physical data

Width	48 mm / 1.89 inches
Height	100 mm / 3.937 inches
Depth	70.9 mm / 2.791 inches
Depth from upper-edge of DIN-rail	63.7 mm / 2.508 inches

Mechanical data

Mounting type	DIN-35 rail
---------------	-------------

Material data

Color	dark gray
Housing material	Polycarbonate; polyamide 6.6
Fire load	2.461 MJ
Weight	168.3 g
Conformity marking	CE

Environmental requirements

Ambient temperature (operation)	-40 ... +70 °C
Ambient temperature (storage)	-40 ... +85 °C
Ambient temperature (installation)	-20 ... +70 °C
Protection type	IP20
Pollution degree	2 per IEC 61131-2
Operating altitude	without temperature derating: 0 ... 2000 m; with temperature derating: 2000 ... 5000 m (0.5 K/100 m); 5000 m (max.)
Mounting position	Horizontal left, horizontal up, vertical top and vertical bottom
Relative humidity (without condensation)	95 %
Relative humidity (with condensation)	Short-term condensation per Class 3K7/IEC EN 60721-3-3 and E-DIN 40046-721-3 (except for wind-driven precipitation, water and ice formation)
Vibration resistance	Per IEC 60068-2-6 (acceleration: 5g), EN 60870-2-2, IEC 60721-3-1, -3
Shock resistance	per IEC 60068-2-27 (15g/11 ms/half-sine/1,000 shocks; 25g/6 ms/1,000 shocks), EN 61373
EMC immunity to interference	per EN 61000-6-1, -2, EN 61131-2, marine applications, EN 60255-26, EN 60870-2-1, EN 61850-3, IEC 61000-6-5, IEEE 1613, VDEW: 1994
EMC emission of interference	per EN 61000-6-3, -4, EN 61131-2, EN 60255-26, marine applications, EN 60870-2-1, EN 61850-3
Exposure to pollutants	per IEC 60068-2-42 and IEC 60068-2-43
Permissible H ₂ S contaminant concentration at a relative humidity 75 %	10 ppm
Permissible SO ₂ contaminant concentration at a relative humidity 75 %	25 ppm

Commercial data

PU (SPU)	1 pcs
Packaging type	Box
Country of origin	DE
GTIN	4055143649575
Customs tariff number	85389091890

Product Classification

UNSPSC	39121004
eCl@ss 10.0	27-24-26-10
eCl@ss 9.0	27-24-26-10
ETIM 9.0	EC001600
ETIM 10.0	EC001600
ECCN	NO US CLASSIFICATION

Environmental Product Compliance

CAS-No.	1303-86-2 1317-36-8 7439-92-1
REACH Candidate List Substance	Diboron trioxide Lead Lead monoxide Perfluorobutane sulfonic acid (PFBS) and its salts
RoHS Compliance Status	Compliant, With Exemption
RoHS Exemption	6(c) 7(a) 7(c)-I 7(c)-II
SCIP notification number (Austria)	4fe17c26-3e48-4c6a-8405-01c7463c2a8c
SCIP notification number (Belgium)	f162755d-825d-4026-9ea8-ab288594dc6a
SCIP notification number (Bulgaria)	646d72f5-7f22-49b8-95cc-b93b60e3f0c0
SCIP notification number (Czech Republic)	5b380fba-e486-4276-a5dd-822714e91fc4
SCIP notification number (Denmark)	b26250f5-4af5-4aad-9582-c0d89a934520
SCIP notification number (Finland)	660f5834-f12f-4bf8-b296-a04fc275fd14
SCIP notification number (France)	bcd493c6-3df0-44d4-badd-eba5afd20434
SCIP notification number (Germany)	c0100a4-4223-4dde-94fa-6f7db1620dd8
SCIP notification number (Hungary)	f142bb98-7eff-4442-beea-e3867c6963d7
SCIP notification number (Italy)	ab7ba289-4f42-4cc8-a91c-0d6d91d1cd87
SCIP notification number (Netherlands)	32814c55-3aac-4565-b952-30f0e3d4fa44
SCIP notification number (Poland)	40eb8935-549b-4b60-a0d8-bf7b4f0e9efe
SCIP notification number (Romania)	a49e1082-9d5b-471b-a0d8-97863037a64d
SCIP notification number (Sweden)	a8b4f724-1558-4a50-8246-ba63c388b382

Approvals / Certificates

General approvals



Approval	Standard	Certificate Name
EAC GZO Almaty Standart	TP TC 020/2011	EAC CoC 03083
UL Underwriters Laboratories Inc. (ORDINARY LOCATIONS)	-	E175199

Declarations of conformity and manufacturer's declarations

Approval	Standard	Certificate Name
EU-Ex-Declaration of Conformity WAGO GmbH & Co. KG	-	-
UK-Ex-Declaration of Conformity WAGO GmbH & Co. KG	-	-

Approvals for marine applications



Approval	Standard	Certificate Name
ABS American Bureau of Shipping	-	22-2208829-PDA
DNV DNV GL SE	-	TAA00000Y7
LR Lloyds Register	-	LR22276776TA
PRS Polski Rejestr Statków	-	TE/1099/880590/23

Approvals for hazardous areas



Approval	Standard	Certificate Name
ATEX TUEV Nord Cert GmbH	EN 60079-0	TUEV_17_ATEX_196484X [Ex ec[iaGa] IIC T4 Gc, [Ex iaDa] IIIC, [Ex iaMa] I]
CCC CNEX	CNCA-C23-01	2020312310000212 (Ex ec IIC T4 Gc)
IECEx TUEV Nord Cert GmbH	IEC 60079-0	IECEx TUN 17.0005X (Ex ec[iaGa] IIC T4 Gc, [Ex iaDa] IIIC, [Ex iaMa] I)
UKEx Element Materials Technology UK	-	EMA21UKEX0043X
UL Underwriters Laboratories Inc. (HAZARDOUS LOCATIONS)	UL 121201	E198726

Downloads

Environmental Product Compliance

Compliance Search	
Environmental Product Compliance 750-606/040-000	↓

Documentation

Manual			
Product Manual 24VDC 1.0A Ex i power supply / XTR	V 2.0.0 07.11.2019	pdf 1654.89 KB	↓
System Manual Series 750/753			↓

System Description			
Intrinsically Safe XTR Modules – General Product Information		pdf 214.93 KB	↓
Overview on WAGO-I/O-SYSTEM 750 approvals		pdf 770.48 KB	↓

Bid Text			
750-606/040-000	19.02.2019	xml 8.04 KB	↓
750-606/040-000	08.02.2018	doc 33.00 KB	↓

Instruction Leaflet			
CCC Ex (Additional information)	26.04.2023	pdf 143.50 KB	↓

CAD/CAE-Data

CAD data	
2D/3D Models 750-606/040-000	↓

CAE data	
EPLAN Data Portal 750-606/040-000	↓
ZUKEN Portal 750-606/040-000	↓

1 Compatible Products

1.1 Optional Accessories

1.1.1 DIN-rail

1.1.1.1 Mounting accessories

<p>Item No.: 210-196 Aluminum carrier rail; 35 x 8.2 mm; 1.6 mm thick; 2 m long; unslotted; similar to EN 60715; silver-colored</p>	<p>Item No.: 210-198 Copper carrier rail; 35 x 15 mm; 2.3 mm thick; 2 m long; unslotted; according to EN 60715; copper-colored</p>	<p>Item No.: 210-197 Steel carrier rail; 35 x 15 mm; 1.5 mm thick; 2 m long; slotted; similar to EN 60715; silver-colored</p>	<p>Item No.: 210-114 Steel carrier rail; 35 x 15 mm; 1.5 mm thick; 2 m long; unslotted; similar to EN 60715; silver-colored</p>
<p>Item No.: 210-118 Steel carrier rail; 35 x 15 mm; 2.3 mm thick; 2 m long; unslotted; according to EN 60715; silver-colored</p>	<p>Item No.: 210-115 Steel carrier rail; 35 x 7.5 mm; 1 mm thick; 2 m long; slotted; according to EN 60715; "Hole width 18 mm; silver-colored</p>	<p>Item No.: 210-112 Steel carrier rail; 35 x 7.5 mm; 1 mm thick; 2 m long; slotted; according to EN 60715; "Hole width 25 mm; silver-colored</p>	<p>Item No.: 210-113 Steel carrier rail; 35 x 7.5 mm; 1 mm thick; 2 m long; unslotted; according to EN 60715; silver-colored</p>

1.1.2 Marking

1.1.2.1 Group marker carrier



Item No.: 750-107
Group marker carrier

1.1.2.2 Marker

Item No.: 2009-145/000-006
Mini-WSB Inline; for Smart Printer; 1700 pieces on roll; stretchable 5 - 5.2 mm; plain; snap-on type; blue

Item No.: 2009-145/000-007
Mini-WSB Inline; for Smart Printer; 1700 pieces on roll; stretchable 5 - 5.2 mm; plain; snap-on type; gray

Item No.: 2009-145/000-023
Mini-WSB Inline; for Smart Printer; 1700 pieces on roll; stretchable 5 - 5.2 mm; plain; snap-on type; green

Item No.: 2009-145/000-012
Mini-WSB Inline; for Smart Printer; 1700 pieces on roll; stretchable 5 - 5.2 mm; plain; snap-on type; orange

Item No.: 2009-145/000-005
Mini-WSB Inline; for Smart Printer; 1700 pieces on roll; stretchable 5 - 5.2 mm; plain; snap-on type; red

Item No.: 2009-145/000-024
Mini-WSB Inline; for Smart Printer; 1700 pieces on roll; stretchable 5 - 5.2 mm; plain; snap-on type; violet

Item No.: 2009-145
Mini-WSB Inline; for Smart Printer; 1700 pieces on roll; stretchable 5 - 5.2 mm; plain; snap-on type; white

Item No.: 2009-145/000-002
Mini-WSB Inline; for Smart Printer; 1700 pieces on roll; stretchable 5 - 5.2 mm; plain; snap-on type; yellow



Item No.: 248-501/000-006
Mini-WSB marking card; as card; not stretchable; plain; snap-on type; blue

Item No.: 248-501/000-007
Mini-WSB marking card; as card; not stretchable; plain; snap-on type; gray

Item No.: 248-501/000-023
Mini-WSB marking card; as card; not stretchable; plain; snap-on type; green

Item No.: 248-501/000-017
Mini-WSB marking card; as card; not stretchable; plain; snap-on type; light green



Item No.: 248-501/000-012
Mini-WSB marking card; as card; not stretchable; plain; snap-on type; orange

Item No.: 248-501/000-005
Mini-WSB marking card; as card; not stretchable; plain; snap-on type; red

Item No.: 248-501/000-024
Mini-WSB marking card; as card; not stretchable; plain; snap-on type; violet

Item No.: 248-501
Mini-WSB marking card; as card; not stretchable; plain; snap-on type; white



Item No.: 248-501/000-002
Mini-WSB marking card; as card; not stretchable; plain; snap-on type; yellow

1.1.2.3 Marker carrier



Item No.: 750-103
Group marker carrier

1.1.3 Shield termination

1.1.3.1 Shield clamping saddles



Item No.: 790-108
Shield clamping saddle; 11 mm wide; diameter of compatible conductor; 3 ... 8 mm



Item No.: 790-208
Shield clamping saddle; 12.4 mm wide; 3 ... 8 mm



Item No.: 790-116
Shield clamping saddle; 19 mm wide; diameter of compatible conductor; 7 ... 16 mm



Item No.: 790-216
Shield clamping saddle; 21.8 mm wide; 6 ... 16 mm



Item No.: 790-124
Shield clamping saddle; 27 mm wide; diameter of compatible conductor; 6 ... 24 mm



Item No.: 790-220
Shield clamping saddle; 30 mm wide; 6 ... 20 mm



Item No.: 790-140
Shield clamping saddle; diameter of compatible conductor

Subject to changes. Please also observe the further product documentation!

Current addresses can be found at: www.wago.com