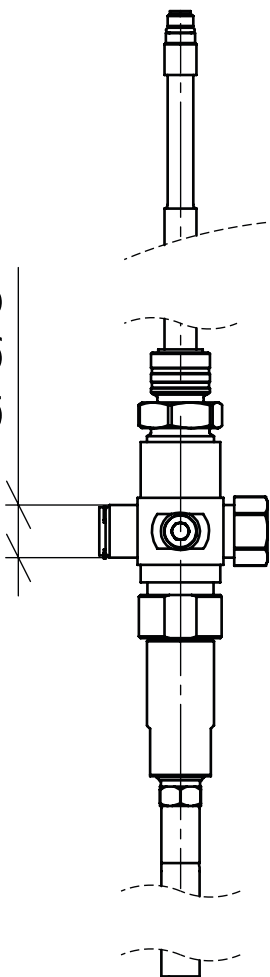
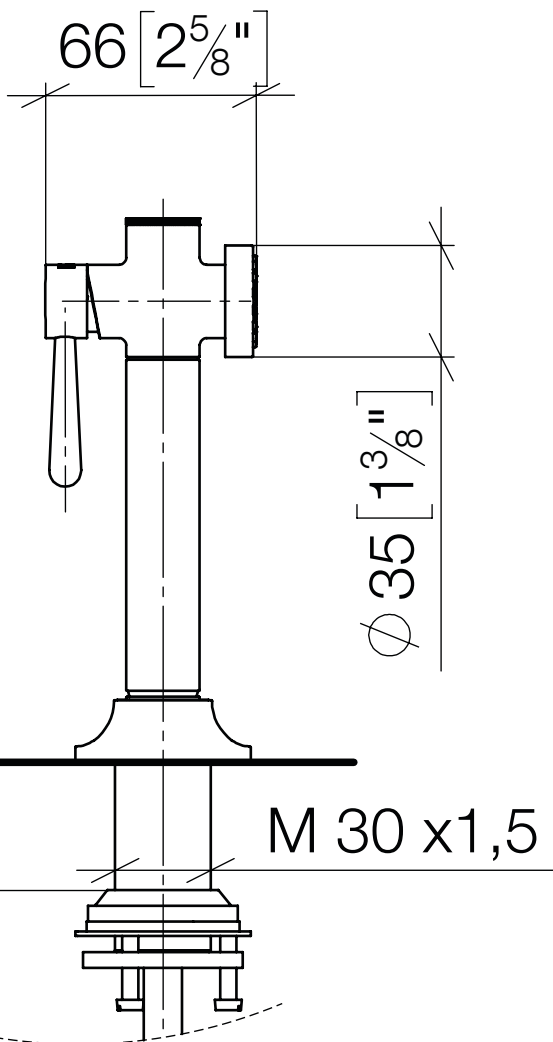


G 3/8



max. 50 [2"]



$\phi 32$ [1 1/4"]

